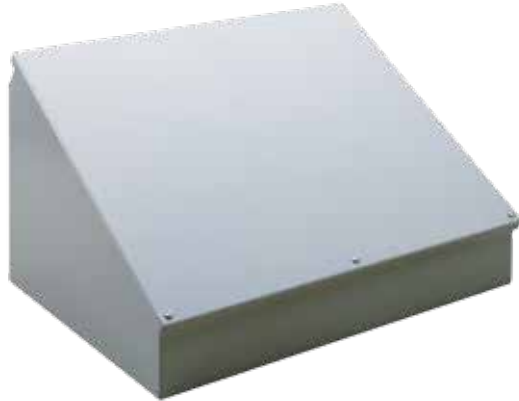


MILD STEEL CONSOLETS

INDUSTRY STANDARDS

UL 508A Listed; Type 12, 13; File No. E61997 cUL Listed per CSA C22.2 No. 94; Type 12, 13; File No. E61997

NEMA/EEMAC Type 12, 13
 CSA File Number 42186: Type 12
 IEC 60529, IP65

APPLICATION

Consoles are ideal for mounting small control or instrumentation devices where the desirable access requires a 30- or 60-degree surface. These enclosures can be mounted on either of two sides for placement on desktops, pedestals or other flat surfaces.

SPECIFICATIONS

- 14 gauge steel
- Seams continuously welded and ground smooth; no holes or knockouts
- Captivated cover screws thread into sealed wells
- Bonding provision on cover
- Oil-resistant gasket and adhesive
- Control panel attached with continuous hinge along bottom edge

FINISH

ANSI 61 gray polyester powder paint inside and out over pretreated surfaces.

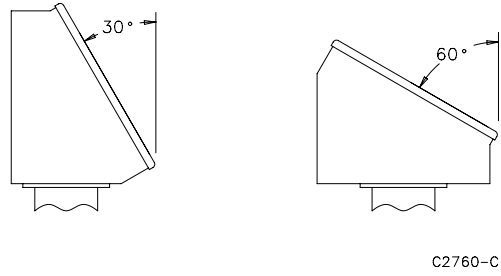
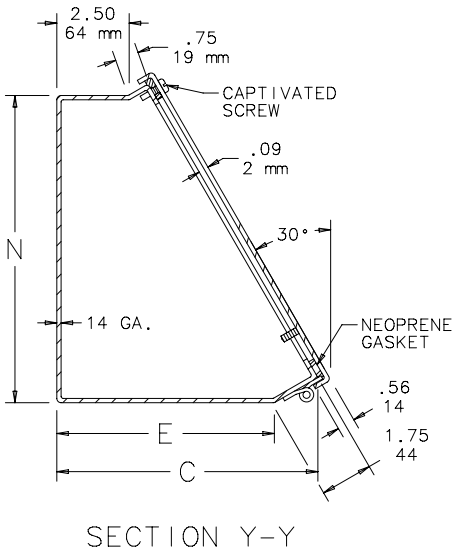
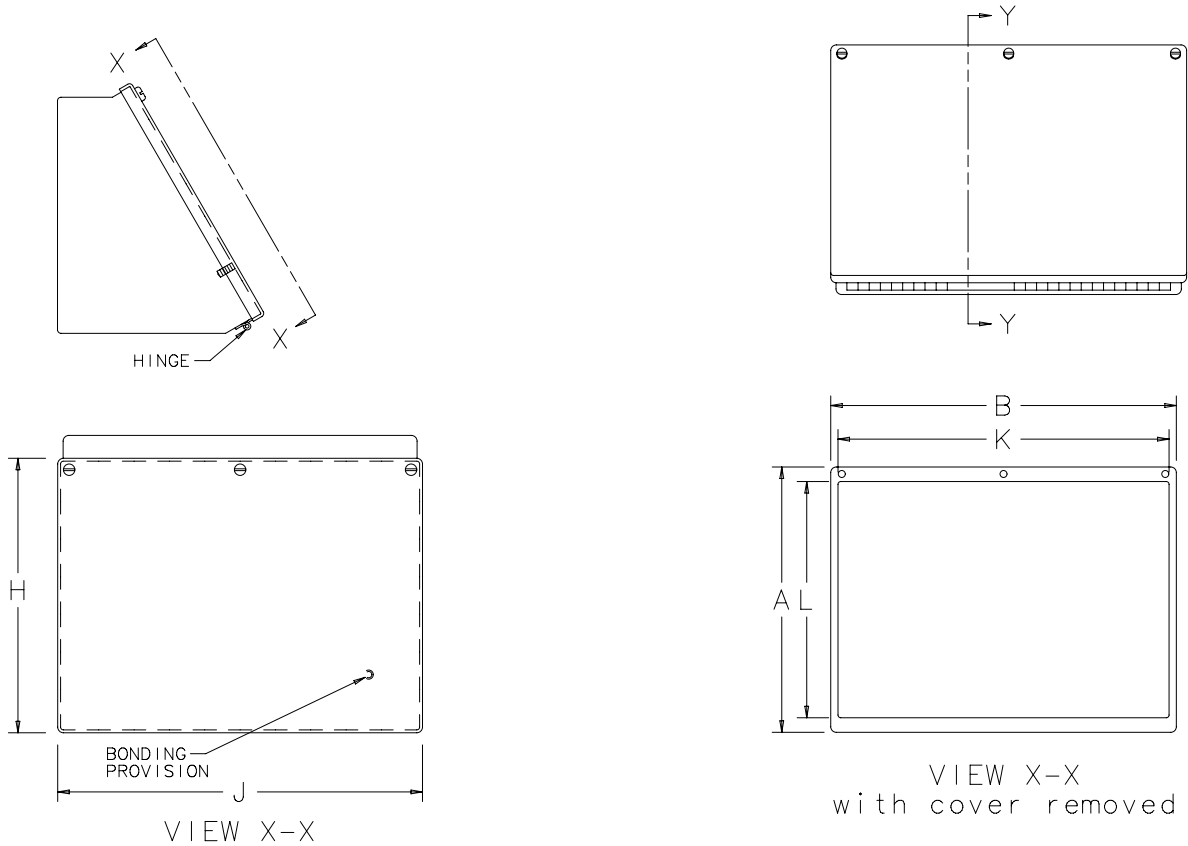
ACCESSORIES

See also Accessories.
 Industrial Corrosion Inhibitors
 Hole Seals
 Latch Kits for Type 4 and 12 Enclosures
 Mounting Bracket Kits
 Touch-Up Paint
 Steel and Stainless Steel Window Kits

BULLETIN: C5, P1

Standard Product Consoles

Catalog Number	AxBxC in./mm	E in./mm	H in./mm	J in./mm	K in./mm	L in./mm	N in./mm
C8C8	8.00 x 8.00 x 7.09	5.62	8.28	8.28	7.50	6.62	7.44
	203 x 203 x 180	143	210	210	191	168	189
C8C12	8.00 x 12.00 x 7.09	5.62	8.28	12.28	11.50	6.62	7.44
	203 x 305 x 180	143	210	312	292	168	189
C8C16	8.00 x 16.00 x 7.09	5.62	8.28	16.28	15.50	6.62	7.44
	203 x 406 x 180	143	210	414	394	168	189
C8C20	8.00 x 20.00 x 7.09	5.62	8.28	20.28	19.50	6.62	7.44
	203 x 508 x 180	143	210	515	495	168	189
C12C12	12.00 x 12.00 x 9.09	7.62	12.28	12.28	11.50	10.62	10.91
	305 x 305 x 231	194	312	312	292	270	277
C12C16	12.00 x 16.00 x 9.09	7.62	12.28	16.28	15.50	10.62	10.91
	305 x 406 x 231	194	312	414	394	270	277
C12C20	12.00 x 20.00 x 9.09	7.62	12.28	20.28	19.50	10.62	10.91
	305 x 508 x 231	194	312	515	495	270	277
C12C24	12.00 x 24.00 x 9.09	7.62	12.28	24.28	23.50	10.62	10.91
	305 x 610 x 231	194	312	617	597	270	277
C16C16	16.00 x 16.00 x 11.09	9.62	16.28	16.28	15.50	14.62	14.38
	406 x 406 x 282	244	414	414	394	371	365
C16C20	16.00 x 20.00 x 11.09	9.62	16.28	20.28	19.50	14.62	14.38
	406 x 508 x 282	244	414	515	495	371	365
C16C24	16.00 x 24.00 x 11.09	9.62	16.28	24.28	23.50	14.62	14.38
	406 x 610 x 282	244	414	617	597	371	365
C16C30	16.00 x 30.00 x 11.09	9.62	16.28	30.28	29.50	14.62	14.38
	406 x 762 x 282	244	414	769	749	371	365
C16C36	16.00 x 36.00 x 11.09	9.62	16.28	36.28	35.50	14.62	14.38
	406 x 914 x 282	244	414	922	902	371	365
C20C20	20.00 x 20.00 x 13.09	11.62	20.28	20.28	18.62	18.62	17.84
	508 x 508 x 332	295	515	515	473	473	453
C20C24	20.00 x 24.00 x 13.09	11.62	20.28	24.28	22.62	18.62	17.84
	508 x 610 x 332	295	515	617	575	473	453
C20C30	20.00 x 30.00 x 13.09	11.62	20.28	30.28	28.62	18.62	17.84
	508 x 762 x 332	295	515	769	727	473	453



C2760-C

Standard Product **Pedestal Columns and Bases for Consoles**

Catalog Number	AxBxC in./mm	Description
A44CCOL	35.00 x 4.00 x 4.00 889 x 102 x 102	Straight Pedestal Column
A66CCOL	35.00 x 6.00 x 6.00 889 x 152 x 152	Straight Pedestal Column
A18SBASE	18.00 x 18.00 457 x 457	Pedestal Base
A24SBASE	24.00 x 24.00 610 x 610	Pedestal Base