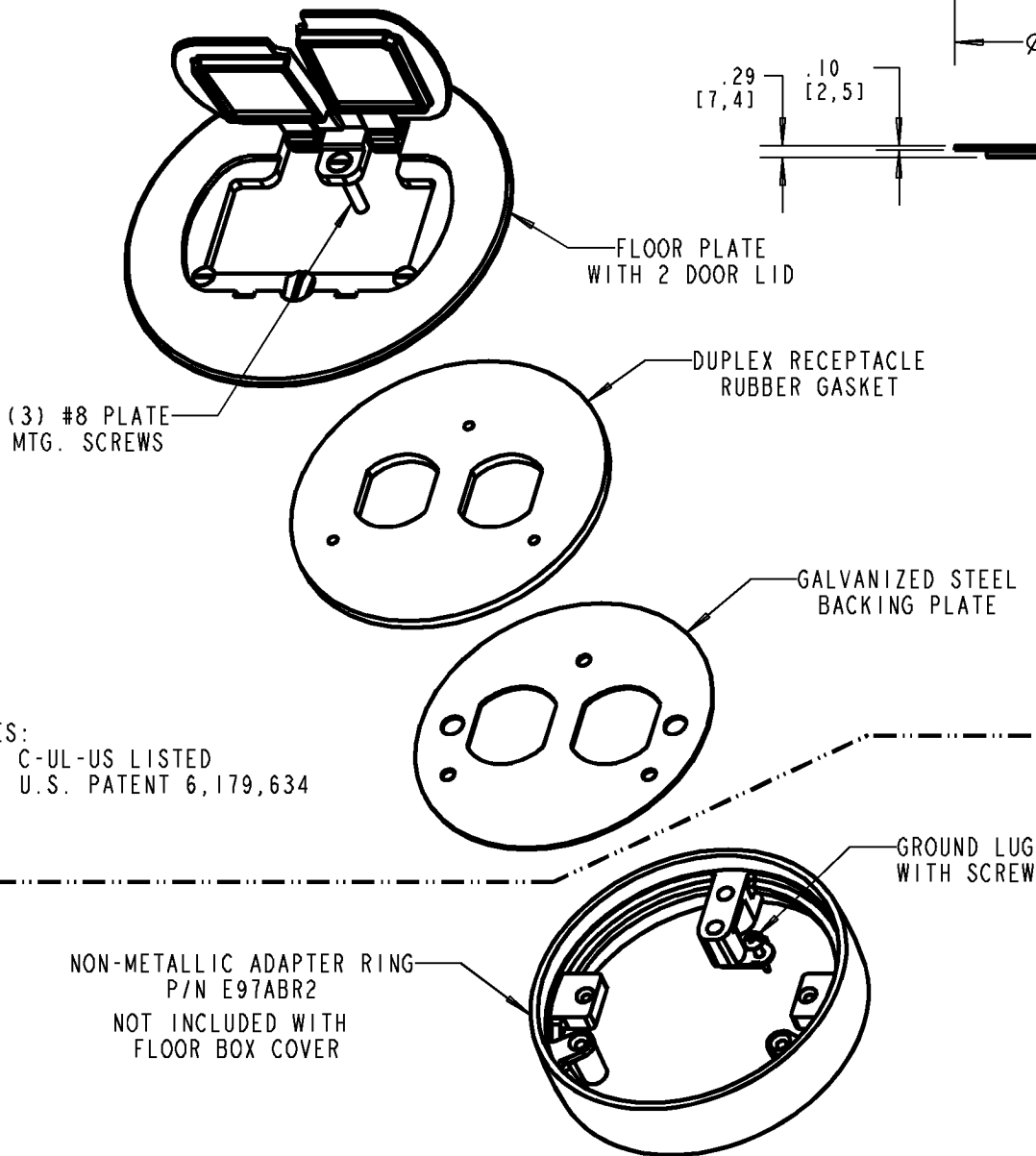
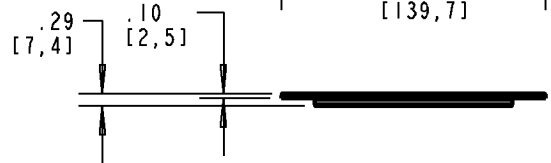
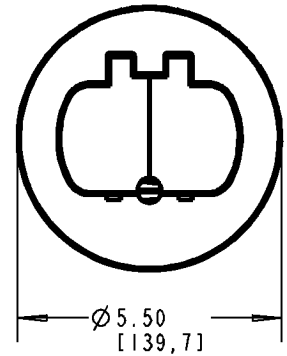


Carlton®

FLOOR BOX COVER

PART NO.	DESCRIPTION
E97BR2	SOLID BRASS W/BRUSH FINISH
E97SS2	SOLID STAINLESS STEEL W/BRUSH FINISH



- NOTES:
 1. C-UL-US LISTED
 2. U.S. PATENT 6,179,634

GENERAL NOTES

- ALL DIMENSIONS ARE FOR REFERENCE ONLY.
- DIMENSIONS IN BRACKETS [] ARE IN METRIC UNITS.

REVISIONS

*** SEE ERN (****) FOR APPROVAL SIGNATURES & RELEASE DATE.
 PROJECT NO: ****

Thomas & Betts
 www.tnb.com

DESCRIPTION:

**2 DOOR DUPLEX
 ROUND FLOOR PLATE**

ORIGINAL PROJECT NO / (ERN NO)

/ ()

SHEET NO:

1 OF 1

REV. NO:

B

DRAWING NO:

WSD-AC04079