

**CONCEPT DISCONNECT ENCLOSURE, TYPE 4**

**INDUSTRY STANDARDS**

Mounting brackets required to maintain UL/CSA external mounting requirement.

UL 508A Listed; Type 4, 12; File No. E61997  
 cUL Listed per CSA C22.2 No. 94; Type 4, 12; File No. E61997

NEMA/EEMAC Type 4, 12, Type 13  
 CSA File No. 42186: Type 4, 12  
 VDE, IP66  
 IEC 60529, IP66

**APPLICATION**

Use mild steel CONCEPT Disconnect Enclosures in applications that require indoor and outdoor environmental protection and maintain stylized design features. Accepts major brand disconnect switches and circuit breakers and is supplied with a Hoffman-integrated tool-to-open handle.

**Furnished with Enclosures**

1. Door interlock bracket welded to door
2. CONCEPT-style latching system (2-point or 3-point) installed on door
3. Instructions to locate and install disconnect
4. Hardware kit consisting of padlocking door handle, panel mounting nuts, grounding hardware and sealing washers for mounting holes

**SPECIFICATIONS**

- 16 or 14 gauge steel
- Seams continuously welded and ground smooth
- External-formed 90-degree body flange channels away liquids
- Bonding provision on door; grounding stud on body
- Holes in body for mounting disconnect operating handle and operating mechanism
- Panel mounting studs fit optional CONCEPT panels and other accessories
- Mounting holes in back of body for direct mounting for optional external mounting brackets
- Removable door with hidden hinges for clean, aesthetic appearance
- Corner-formed doors
- Provisions on door for optional high-impact thermoplastic data pocket
- Seamless foam-in-place gasket
- Door alignment device on doors wider than 30 in.
- CONCEPT-style latching system interlocks with the disconnect handle for added safety
- Unique door handle with tool-to-open feature and padlocking option supplied
- Self-grounding latch system with double seal
- Four hinges on 60-inch-high enclosures
- Simple easy-to-remove and install hinge pins with captivation clip
- High-torque threadless studs and fasteners on door
- V-shaped fiber-wrapped gasket on the disconnect side of the body flange provides extra deflection of water
- Installation instructions provided

**FINISH**

Two standard finishes are available:

- ANSI 61 gray polyester powder paint inside and out
- RAL 7035 textured light-gray polyester powder paint inside and out

**ACCESSORIES**

CONCEPT Panels  
 Blank Adapter Plates, Mild Steel  
 Compact Cooling Fans  
 PANELITE Enclosure Lights Overview  
 Mounting-Bracket Kits  
 Steel and Stainless Steel Window Kits

**MODIFICATION AND CUSTOMIZATION**

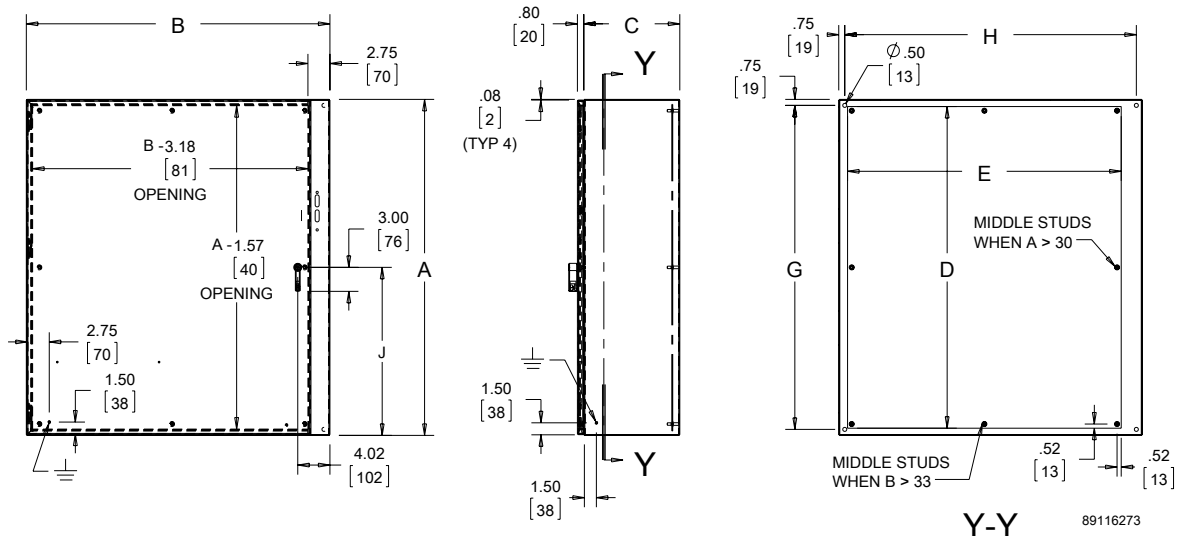
Hoffman excels at modifying and customizing products to your specifications. Contact your local Hoffman sales office or distributor for complete information.

**BULLETIN: CWD**
**Standard Product**

Catalog Number	AxBxC in./mm	Finish	Door Gauge	Body Gauge	Panel	Conductive Panel	Panel Size D x E in./mm	Mounting G x H in./mm	Latches Qty.	Latches Style	J in./mm
CDSC20228	20.00 x 22.00 x 8.00 508 x 559 x 203	ANSI 61 Gray	14	16	CP2020	CP2020G	18.20 x 18.20 462 x 462	18.50 x 20.50 470 x 521	1	2-point	5.00 127
CDSC20228LG	20.00 x 22.00 x 8.00 508 x 559 x 203	RAL 7035 Gray	14	16	CP2020	CP2020G	18.20 x 18.20 462 x 462	18.50 x 20.50 470 x 521	1	2-point	5.00 127
CDSC24228	24.00 x 22.00 x 8.00 610 x 559 x 203	ANSI 61 Gray	14	16	CP2420	CP2420G	22.20 x 18.20 564 x 462	22.50 x 20.50 572 x 521	1	2-point	6.00 152
CDSC24228LG	24.00 x 22.00 x 8.00 610 x 559 x 203	RAL 7035 Gray	14	16	CP2420	CP2420G	22.20 x 18.20 564 x 462	22.50 x 20.50 572 x 521	1	2-point	6.00 152
CDSC24268	24.00 x 26.00 x 8.00 610 x 660 x 203	ANSI 61 Gray	14	16	CP2424	CP2424G	22.20 x 22.20 564 x 564	22.50 x 24.50 572 x 622	1	2-point	6.00 152

Catalog Number	AxBxC in./mm	Finish	Door Gauge	Body Gauge	Panel	Conductive Panel	Panel Size D x E in./mm	Mounting G x H in./mm	Latches Qty.	Latches Style	J in./mm
CDCSC24268LG	24.00 x 26.00 x 8.00 610 x 660 x 203	RAL 7035 Gray	14	16	CP2424	CP2424G	22.20 x 22.20 564 x 564	22.50 x 24.50 572 x 622	1	2-point	6.00 152
CDCSC30268	30.00 x 26.00 x 8.00 762 x 660 x 203	ANSI 61 Gray	14	16	CP3024	CP3024G	28.20 x 22.20 716 x 564	28.50 x 24.50 724 x 622	1	2-point	6.00 152
CDCSC30268LG	30.00 x 26.00 x 8.00 762 x 660 x 203	RAL 7035 Gray	14	16	CP3024	CP3024G	28.20 x 22.20 716 x 564	28.50 x 24.50 724 x 622	1	2-point	6.00 152
CDCSC36268	36.00 x 26.00 x 8.00 914 x 660 x 203	ANSI 61 Gray	14	14	CP3624	CP3624G	34.20 x 22.20 869 x 564	34.50 x 24.50 876 x 622	1	2-point	6.00 152
CDCSC36268LG	36.00 x 26.00 x 8.00 914 x 660 x 203	RAL 7035 Gray	14	14	CP3624	CP3624G	34.20 x 22.20 869 x 564	34.50 x 24.50 876 x 622	1	2-point	6.00 152
CDCSC36328	36.00 x 32.00 x 8.00 914 x 813 x 203	ANSI 61 Gray	14	14	CP3630	CP3630G	34.20 x 28.20 869 x 716	34.50 x 30.50 869 x 775	1	2-point	6.00 152
CDCSC36328LG	36.00 x 32.00 x 8.00 914 x 813 x 203	RAL 7035 Gray	14	14	CP3630	CP3630G	34.20 x 28.20 869 x 716	34.50 x 30.50 869 x 775	1	2-point	6.00 152
CDCSC423212	42.00 x 32.00 x 12.00 1067 x 813 x 305	ANSI 61 Gray	14	14	CP4230	CP4230G	40.20 x 28.20 1021 x 716	40.50 x 30.50 1029 x 775	1	3-point	21.00 533
CDCSC423212LG	42.00 x 32.00 x 12.00 1067 x 813 x 305	RAL 7035 Gray	14	14	CP4230	CP4230G	40.20 x 28.20 1021 x 716	40.50 x 30.50 1029 x 775	1	3-point	21.00 533
CDCSC423812	42.00 x 38.00 x 12.00 1067 x 965 x 305	ANSI 61 Gray	14	14	CP4236	CP4236G	40.20 x 34.20 1021 x 869	40.50 x 36.50 1029 x 927	1	3-point	21.00 533
CDCSC423812LG	42.00 x 38.00 x 12.00 1067 x 965 x 305	RAL 7035 Gray	14	14	CP4236	CP4236G	40.20 x 34.20 1021 x 869	40.50 x 36.50 1029 x 927	1	3-point	21.00 533
CDCSC483812	48.00 x 38.00 x 12.00 1219 x 965 x 305	ANSI 61 Gray	14	14	CP4836	CP4836G	46.20 x 34.20 1173 x 869	46.50 x 36.50 1181 x 927	1	3-point	24.00 610
CDCSC483812LG	48.00 x 38.00 x 12.00 1219 x 965 x 305	RAL 7035 Gray	14	14	CP4836	CP4836G	46.20 x 34.20 1173 x 869	46.50 x 36.50 1181 x 927	1	3-point	24.00 610
CDCSC603812	60.00 x 38.00 x 12.00 1524 x 965 x 305	ANSI 61 Gray	14	14	CP6036	CP6036G	58.20 x 34.20 1478 x 869	58.50 x 36.50 1486 x 927	1	3-point	30.00 762
CDCSC603812LG	60.00 x 38.00 x 12.00 1524 x 965 x 305	RAL 7035 Gray	14	14	CP6036	CP6036G	58.20 x 34.20 1478 x 869	58.50 x 36.50 1486 x 927	1	3-point	30.00 762
CDCSC363216	36.00 x 32.00 x 16.00 914 x 813 x 406	ANSI 61 Gray	14	14	CP3630	CP3630G	34.20 X 28.20 869 x 716	34.50 x 30.50 876 x 775	1	3-point	18.00 457
CDCSC363216LG	36.00 x 32.00 x 16.00 914 x 813 x 406	RAL 7035 Gray	14	14	CP3630	CP3630G	34.20 X 28.20 869 x 716	34.50 x 30.50 876 x 775	1	3-point	18.00 457
CDCSC423216	42.00 x 32.00 x 16.00 1067 x 813 x 406	ANSI 61 Gray	14	14	CP4230	CP4230G	40.20 X 28.20 1021 x 716	40.50 x 30.50 1029 x 775	1	3-point	21.00 533
CDCSC423216LG	42.00 x 32.00 x 16.00 1067 x 813 x 406	RAL 7035 Gray	14	14	CP4230	CP4230G	40.20 X 28.20 1021 x 716	40.50 x 30.50 1029 x 775	1	3-point	21.00 533
CDCSC423816	42.00 x 38.00 x 16.00 1067 x 965 x 406	ANSI 61 Gray	14	14	CP4236	CP4236G	40.20 X 34.20 1021 X 869	40.50 x 36.50 1029 X 927	1	3-point	21.00 533
CDCSC423816LG	42.00 x 38.00 x 16.00 1067 x 965 x 406	RAL 7035 Gray	14	14	CP4236	CP4236G	40.20 X 34.20 1021 X 869	40.50 x 36.50 1029 X 927	1	3-point	21.00 533
CDCSC483816	48.00 x 38.00 x 16.00 1219 x 965 x 406	ANSI 61 Gray	14	14	CP4836	CP4836G	46.20 X 34.20 1173 X 869	46.50 x 36.50 1181 X 927	1	3-point	24.00 610
CDCSC483816LG	48.00 x 38.00 x 16.00 1219 x 965 x 406	RAL 7035 Gray	14	14	CP4836	CP4836G	46.20 X 34.20 1173 X 869	46.50 x 36.50 1181 X 927	1	3-point	24.00 610
CDCSC603816	60.00 x 38.00 x 16.00 1524 x 965 x 406	ANSI 61 Gray	14	14	CP6036	CP6036G	58.20 X 34.20 1478 x 869	58.50 x 36.50 1486 x 927	1	3-point	30.00 762
CDCSC603816LG	60.00 x 38.00 x 16.00 1524 x 965 x 406	RAL 7035 Gray	14	14	CP6036	CP6036G	58.20 X 34.20 1478 x 869	58.50 x 36.50 1486 x 927	1	3-point	30.00 762

Purchase panels separately.



### DISCONNECT MOUNTING SPACE

Disconnects will occupy space on panel shown by dimensions E1, F1 and G1. Wiring space W1 is available when disconnect is installed in the enclosure.

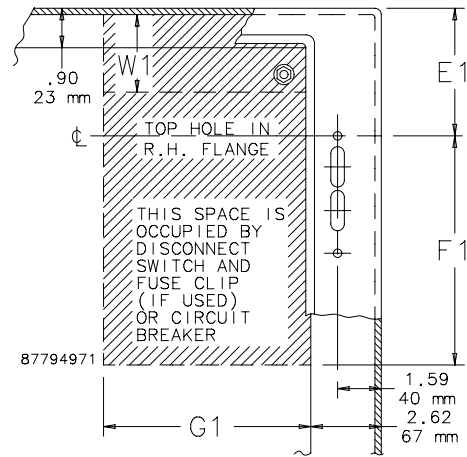
- E1 = 4.75 in. (121 mm) when C = 8.00 in. (203 mm)
- E1 = 11.62 in. (294 mm) when C = 12.00 in. (305 mm)
- E1 = 11.62 in. (294 mm) when C = 16.00 in. (406 mm)
- W1 = Wiring Space.

See *Technical Information for wire bend space.*

Refer to **NATIONAL ELECTRICAL CODE, 2005** article 430-10(b) for wiring space required for line side conductors to be connected to disconnect.

**Verify your application to determine whether wiring space is adequate.**

*Consult Space Occupied by Disconnect drawing to determine whether the disconnect device you are using will fit the enclosure size you have selected.*



Consult disconnect manufacturer for F1 and G1 dimensions.

## PREFERRED-CUTOUT OVERVIEW



### APPLICATION

Enclosures having the preferred cutout are sized for use with up to 200A disconnect switches and up to 400A circuit breakers unless otherwise specified. The preferred cutout accepts the smaller operating handle whose mounting hole centers are 4.688 in. apart. Preferred cutouts are standard in mild steel wall-mount enclosures, modular enclosures and some select large mild steel enclosures. They are also present on all standard stainless steel offerings. Mild steel operator adapter plates with brand specific preferred cutouts are available for enclosures with a rectangular universal cutout.

Preferred cutouts are designed to house the following:

#### Allen-Bradley

- Bulletin 1494U universal disconnect switches with flange-mount handles for either variable-depth, cable-operated mechanisms
- Bulletin 1494V disconnect switches with flange-mount variable-depth operating mechanisms and Bulletin 1494V flange-mount variable-depth operating mechanisms for circuit breakers
- Bulletin 140U flexible cable operating mechanisms for 140U molded case circuit breakers

- Bulletin 140G flexible cable and variable-depth, flange-mount, molded case circuit breakers
- Bulletin 1494C cable-operated disconnect switches with flange-mount handles
- Bulletin 194RC cable-operated flange-mount handles for use with the NFPA 79 compliant 194R IEC rotary disconnect switches *Allen-Bradley Bulletin 1494V-R1, -R2 and -W2 operating handles and Allen-Bradley Bulletin 1494F disconnect devices or Bulletin 1494D circuit breaker operators will NOT fit these enclosures.*

**ABB Controls** flange-mount variable-depth operating mechanisms for disconnect switches and circuit breakers. Also the cable version for circuit breakers.

**Eaton Cutler-Hammer** Type C361 flange-mount variable-depth operating mechanisms with disconnect switches and Type C371 flange-mount variable-depth operating mechanisms for circuit breakers.

**General Electric** Type STDA flange handles and variable-depth operating mechanisms for disconnect switches and circuit breakers. Also SPECTRAFLEX cable operators for circuit breakers.

**Siemens ITE MAX FLEX®** flange-mount variable-depth operating handles for circuit breakers.

**Schneider** Square D® Class 9422 disconnect switches with flange-mount variable-depth operating mechanisms or cable mechanisms and Class 9422 flange-mount variable-depth operating mechanisms or cable mechanisms for circuit breakers. *These enclosures will NOT accept Square D Class 9422 bracket-mounted disconnect devices, Class 9422TG1 or TG2 devices.*

### ORDERING

The disconnect switch, operating handle, and operating mechanism must be ordered from disconnect equipment supplier. See Technical Information in the Hoffman Specifier's Guide for wire bend space available when various manufacturers' disconnect switches are installed. Check the enclosure dimension drawings to verify the chosen disconnect switch will fit in the enclosure.