

Straight Blade Devices 15A, 277V AC, 2 Pole, 3 Wire Grounding Plug

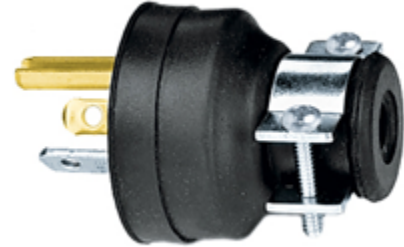
HUBBELL

Features

- Insulprene body
- External cord clamp
- Dead front construction

Ordering Information

| Description | Cord Diameter | UPC | Catalog Number |
|----------------------------------|-----------------------|--------------|----------------|
| Black elastomer with finger grip | .312"-.468"(7.9-11.9) | 783585013251 | HBL5929 |



Listings

CSA Certified to C22.2 No. 42 File 280

Specifications

| | |
|-----------------|------------------------------|
| Housing | Insulprene |
| Blade Holder | Nylon |
| Cord Clamp | Plated Steel |
| Blades | .060 in. (1.5) Brass |
| Terminal Screws | #8-32 Brass , multiple drive |
| Terminal Clamp | Nickel plated steel |
| Assembly Screws | Nickel plated steel |

Performance

Electrical

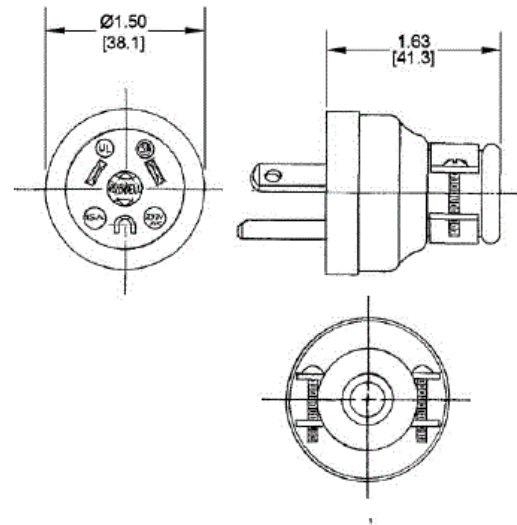
| | |
|----------------------|--|
| Current Interrupting | Certified for current interrupting at full rated current |
| Dielectric Voltage | Withstands 2,000V minimum |

Mechanical

| | |
|-------------------------|--|
| Cord Accomodation | .310"-.430"(7.9-11.9) |
| Terminal Accommodation | #18-12 AWG. Standed copper wire only. |
| Terminal Identification | Terminals identified in accordance with UL 498 and CSA |

Environmental

| | |
|------------------------|---|
| Flammability | UL 94 HB or better |
| IP Suitability | IP20 |
| Operating Temperatures | Maximum continuous 75°C; minimum -40°C (w/o impact) |



Resources

Customer Use Drawing
eCatalog

Dimensions in Inches (mm)

Hubbell Wiring Device-Kellems • Hubbell Incorporated (Delaware) • 40 Waterview Drive • Shelton, CT 06484

Phone (800) 288-6000 • Fax (800) 255-1031 • Specifications subject to change without notice.

