

Straight Blade Devices
15A, 125V, 2 Pole, 3 Wire Grounding
Heavy Duty, Single Receptacle

HUBBELL

Features

- Slender/compact design
- Triple wipe contacts

Ordering Information

Description	Device Color	UPC	Catalog Number
Flush, side wired only	Brown	783585013817	HBL5251

Listings

UL Listed, File E2186
 Certified to CSA 22.2, No. 42
 Fed. Spec. WC596
 NEMA® WD-6 Compliant

Specifications

Body	PBT
Insulator	RTP
Contacts	Brass
Terminal Screws	Brass
Mounting Strap	Galvanized steel
Automatic Self-grounding Clip	Stainless steel
Mounting Screws	Galvanized Steel

Performance

Electrical

Current Interrupting Certified for current interrupting at full rated current
 Dielectric Voltage Withstands 2,000V minimum

Mechanical

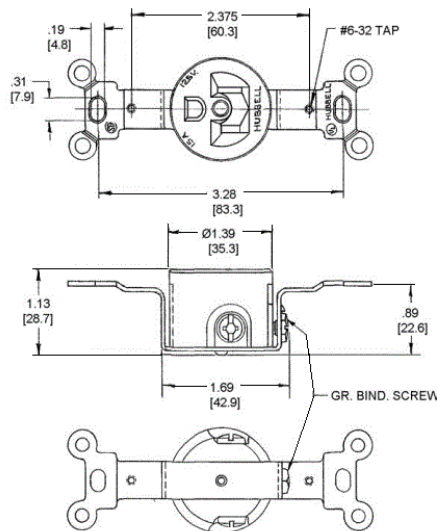
Product Identification Ratings are a permanent part of the device
 Terminal Accommodation #14-#10 AWG copper stranded or solid conductor only
 Terminal Identification Terminals identified in accordance with UL 498 and CSA

Environmental

Flammability UL 94 V-0
 Operating Temperatures Maximum continuous 75°C; minimum -40°C (w/o impact)



15A 125V
NEMA 5-15R
 UL CSA
 0.5 HP



Online Resources

Customer Use Drawing
 eCatalog
 Installation Instructions

Accessories

Wallplate or Weatherproof Cover

Duplex Opening

Dimensions in Inches (mm)

Hubbell Wiring Device-Kellems • Hubbell Incorporated (Delaware) • 40 Waterview Drive • Shelton, CT 06484

Phone (800) 288-6000 • Fax (800) 255-1031 • Specifications subject to change without notice.

