

Straight Blade Devices  
 15A, 125V, 2 Pole, 3 Wire Grounding  
 Heavy Duty, Single Receptacle

# HUBBELL

## Features

- Slender/compact design
- Triple wipe contacts

## Ordering Information

Description	Device Color	UPC	Catalog Number
Flush, side wired only	Ivory	783585014128	HBL52511

## Listings

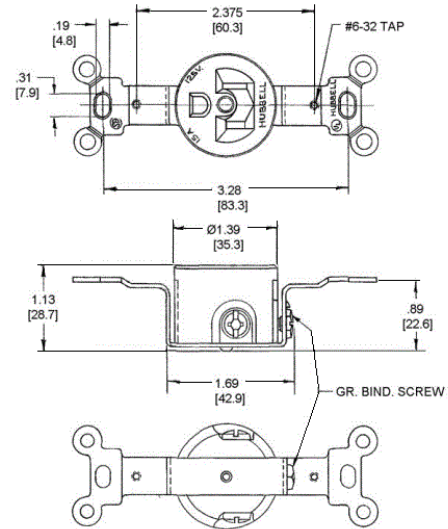
UL Listed, File E2186  
 Certified to CSA 22.2, No. 42  
 Fed. Spec. WC596  
 NEMA® WD-6 Compliant

## Specifications

Body	PBT
Insulator	RTP
Contacts	Brass
Terminal Screws	Brass
Mounting Strap	Galvanized steel
Automatic Self-grounding Clip	Stainless steel
Mounting Screws	Galvanized Steel

## Performance

<b>Electrical</b>	
Current Interrupting	Certified for current interrupting at full rated current
Dielectric Voltage	Withstands 2,000V minimum
<b>Mechanical</b>	
Product Identification	Ratings are a permanent part of the device
Terminal Accommodation	#14-#10 AWG copper stranded or solid conductor only
Terminal Identification	Terminals identified in accordance with UL 498 and CSA
<b>Environmental</b>	
Flammability	UL 94 V-0
Operating Temperatures	Maximum continuous 75°C; minimum -40°C (w/o impact)



## Accessories

Wallplate or Weatherproof Cover 1.40" Opening

## Resources

Customer Use Drawing  
 eCatalog

Dimensions in Inches (mm)

Hubbell Wiring Device-Kellems • Hubbell Incorporated (Delaware) • 40 Waterview Drive • Shelton, CT 06484

Phone (800) 288-6000 • Fax (800) 255-1031 • Specifications subject to change without notice.

