

30A & 50A Straight Blade Plugs
Wiring Instructions for Catalog Numbers Listed Below

AMP	VOLTAGE	CAT.NO.
30A	125V	9309
30A	125/250V	9333
30A	250V	9331
30A	277V	9319
50A	125V	9361
50A	125/250V	7977
50A	250V	9368
50A	277V	9379

1. Check to see that rating molded on face of device is correct for the installation.
2. Select flexible cable of suitable ampacity, service, and temperature rating. Refer to N.E.C. Article 400-5(A) or applicable listing or certification requirements. Use flexible stranded copper wire only. **DO NOT** tin conductors. Device terminals will accept 10 to 6 AWG wire size. Cord clamp range is **.625 dia. To 1.125 dia.** size. Use only round "service" cord Types S, SO, ST.
3. Choose the correct end of the cable for the plug so that color coding corresponds to terminal location.

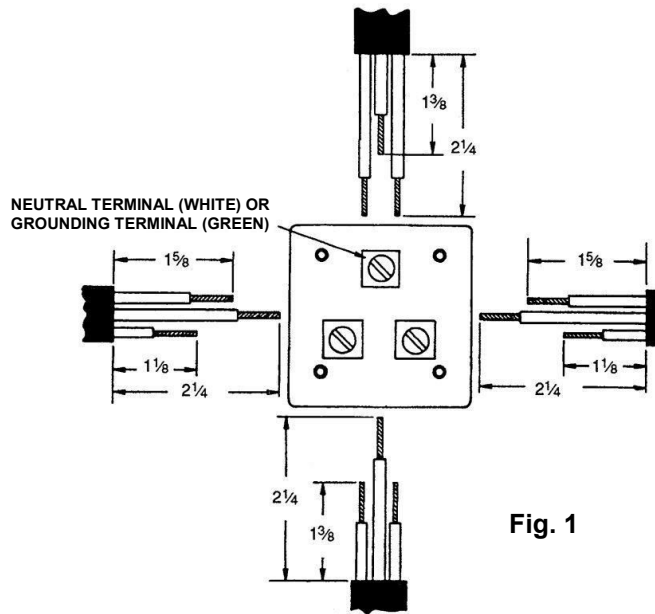


Fig. 1

4. Strip cable jackets as shown in Fig. 1. All conductors to be stripped 9/16 (.562) in length. Note that the blade holder pattern can be positioned in any of four directions by rotating contact assembly in the housing. This will determine the strip length of each color wire. See Fig. 1.
5. Insert the conductors into proper terminal of the contact assembly. Torque terminal screws to 45 in.-lbs.±5.
6. Assemble contact assembly into housing and tighten four screws to 10 in.-lbs.
7. Assemble cord clamp into housing and torque two screws alternately to 15 in.-lbs.

