

Twist-Lock® Devices



**20 Amp, 125/250, 3Ø 250 and 3Ø 480 Volts AC
3 Pole, 4 Wire, Grounding**



20A 125/250V AC
NEMA L14-20R
2 (1) HP

20A 3Ø 250V AC
NEMA L15-20R
3 HP

20A 3Ø 480V AC
NEMA L16-20R
5 HP

Connector Bodies

Watertight Safety-Shroud®

IP66 SUITABILITY

UL Type 4x, 12

Description	Cord Dia.	Catalog Number			
Black Valox® housing, white Valox® clamps.	.350"-1.150" (9-29)	HBL2413SW	HBL2423SW	HBL2433SW	



HBL2423SW

Insulgrip®

IP20 SUITABILITY

Description	Cord Dia.	Catalog Number			
Black and white nylon.	.350"-1.150" (9-29)	HBL2413	HBL2423	HBL2433	
Black and white nylon, spring termination	.350"-1.150" (9-29)	HBL2413ST	HBL2423ST	HBL2433ST	
Corrosion resistant, yellow nylon.	.350"-1.150" (9-29)	HBL24CM13	HBL24CM23	HBL24CM33	
All black nylon.	.350"-1.150" (9-29)	HBL2413BK	-	-	



HBL2413

Note: See page B-52 for accessories.

Receptacles

Watertight Safety-Shroud®

IP66 SUITABILITY

UL Type 4x, 12

Description	Catalog Number			
Gray Valox® housing and flange, back wired.	HBL2410SW	HBL2420SW	HBL2430SW	



HBL2413ST

Note: See page B-54 for accessories.

Safety-Shroud® Twist-Lock®

IP20 SUITABILITY

Description	Catalog Number			
Gray Valox® angle housing, one gang, back wired.	HBL2410AR	HBL2420AR	HBL2430AR	
Gray Valox® surface mounting, one gang, back wired.	HBL2410SR	HBL2420SR	HBL2430SR	
Gray Valox® semi-flush, two gang, back wired.	HBL2410SR2	HBL2420SR2	HBL2430SR2	



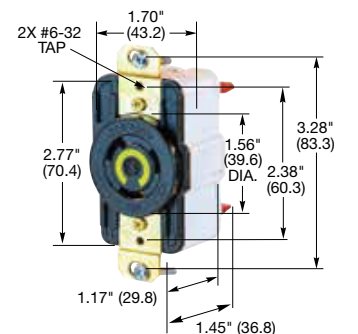
HBL2420SW

Single Flush Receptacles

IP20 SUITABILITY

Description	Catalog Number			
Black nylon face, back and side wired.	HBL2410	HBL2420	HBL2430	
Black and white nylon, spring termination.	HBL2410ST	HBL2420ST	HBL2430ST	
Isolated ground, orange nylon face, back and side wired.	IG2410	IG2420	-	
Ring terminal connection.	HBL2410RT	HBL2420RT	-	

Note: See page B-52 for accessories.

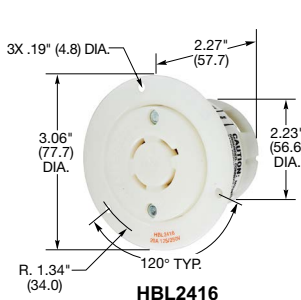


HBL2430ST

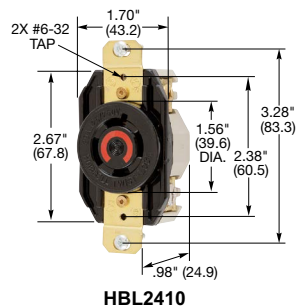
Insulgrip® Flanged Receptacles

Description	Catalog Number			
Nylon casing, back wired.	HBL2416	HBL2426	HBL2436	
Nylon casing, back wire, spring termination	HBL2416ST	HBL2310ST	HBL2433ST	

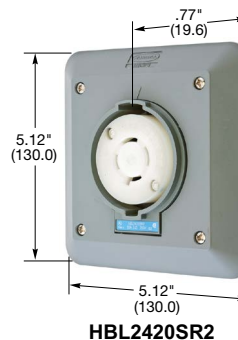
Note: See page B-52 for accessories.



HBL2416



HBL2410



HBL2420SR2



HBL2420SR

Valox® is a trademark of SABIC Innovative Plastics, acquired from General Electric Company.

Dimensions in Inches (mm)