

## Problem Solvers and Replacement Components

Experiencing a problem? Let Hubbell accessories help solve it. Hubbell stacking (adjustable) collars are the answer if the box is set too low. Need a replacement? Choose from a full line of replacement covers and fittings. Hubbell accessories also help you with the protection you need for plugs and receptacles.

### Stacking (Adjustable) Collars and Frames

Designed to be used if floor box is set too low beneath the floor surface or the adjustable collar and/or adapter on the box is damaged.

If the box number is...	Extension Value	Use Collar Number
FB2431, FB2421	0.78" (19.81)	FBC2100*
FB2432, FB2422	0.78" (19.81)	FBC2200*
FB2433, FB2423	0.78" (19.81)	FBC2300*
FB2536, FB2537, FB2527, FB2529	0.80" (20.32)	FBC2500*
FB4133	1.16" (29.64)	FBC4100*
FB4233	1.16" (29.64)	FBC4200*
FB4333	1.16" (29.64)	FBC4300*

Note: \*Only available as sets (collars and adapters). In cases where the adapter on the floor box is not damaged, and only stacking is required, discard the adapter and use only the collar. The adjustable collars listed above can be stacked as required to reach the floor surface. Longer screws will be required if more than one collar is stacked (screws not provided). These screws are commercially available. Flat head #12-24 UNC machine screw x (approx. length). Minor Upward Adjustments: Round or Rectangular cover frames (trim rings) may be stacked if the floor box is only slightly recessed below the floor surface.

### Round Replacement Flange

Round steel cover flange.	S5016PG
---------------------------	---------

### Replacement Carpet Flanges

	Rectangular	Rectangular	Rectangular	Round
Number of Gangs	1-Gang	2-Gang	3-Gang	1-Gang
Dimensions	6.00" x 4.85"	6.00" x 8.13"	6.00" x 11.34"	5.25" Dia.
Brass <sup>†</sup>	SB3083	SB3084	SB3085	—
Aluminum <sup>†</sup>	SA3083	SA3084	SA3085	—
Clear Polycarbonate	S3083	S3084	S3085	S3079

Note: †Flange height; 0.24".

### Crown Plugs

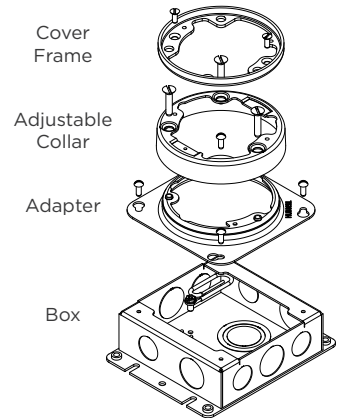
Description	Used in the following covers	Catalog Number	
		Brass	Aluminum
3/4" thread size.	S2525, SA2525, S881, S2555, S2530, S2425, SA2425, SF2525	S5012	SA5012
1" thread size.	S2725, SA2725, S2755, S2730, S2625, SA2625, SF2725	S5013	SA5013

### Flush Cap Rings

Description	Used in the following covers	Catalog Number	
		Brass	Aluminum
2-1/8" threaded plug with 3/4" thread size opening.	S2525, SA2525, S881, S2555, S2530, S2425, SA2425, SF2525	S5010	SA5010
2-1/8" threaded plug with 1" thread size opening.	S2725, SA2725, S2755, S2730, S2625, SA2625, SF2725	S5025	SA5025

### Flush Plugs

Description	Used in the following covers	Catalog Number	
		Brass	Aluminum
3/4" I.P.S. thread size.	F1340	S5002	—
1" I.P.S. thread size.	F1539	S5003	—
1-1/2" fine thread size.	S3725, SA3725, S3625, SA3625	S5007	SA5007
2-1/8" fine thread size.	S2925, SA2925, S88, S2930, S2955, SF2925, S2825	S5020	SA5020
2-3/8" fine thread size.	S3525, S3425	S5030	—



### Replacement Adjustable Collar



FBC2500

FBC4200



S5016PG



SB3083



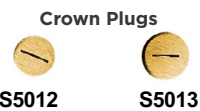
S3085



S3079



SA3084



S5012

S5013

### Flush Cap Rings



S5010

### Flush Plugs



S5007

Dimensions in Inches (mm)