

Switched Disconnects and Enclosures

Non-Metallic Labelless Circuit-Lock® Switched Disconnect Enclosures*

Description	30 Amp	60 Amp	100 Amp
Disconnect switch.	HBLDS3	HBLDS6	HBLDS10
Disconnect switch with HBLAC1 auxiliary contact.	HBLDS3AC	HBLDS6AC	HBLDS10AC
Disconnect switch for use with variable frequency drives.	HBLDS3VFD	HBLDS6VFD	HBLDS10VFD
Disconnect switch without conduit knockout or conduit fitting.	HBLDS3NK	—	—
Disconnect switch with HBLAC1 auxiliary contact without conduit knockout or conduit fitting.	HBLDS3ACNK	—	—
Disconnect switch with 3 auxiliary contacts, without conduit knockouts. Break before main break – 1 set “normally open”, 1 set “normally closed”. Break after main break – 2 sets “normally open”, 1 set “normally closed”.	HBLDS33ACNK	—	—



HBLDS3

Non-Metallic Labelless Disconnects with Jog Switch*

Description	30 Amp	60 Amp	100 Amp
Disconnect switch.	HBLDS3J	HBLDS6J	HBLDS10J
Disconnect switch with HBLAC1 auxiliary contact.	HBLDS3ACJ	—	—
Disconnect switch for use with variable frequency drives.	HBLDS3VFDJ	—	—
Disconnect switch with Jog switch and LEDs.	HBLDS3PJ	HBLDS6PJ	HBLDS10PJ



HBLDS3VFD

Unfused Disconnect Switches with LEDs*

Description	30 Amp	60 Amp	100 Amp
Non-Metallic disconnect switch with LEDs	HBLDS3P	HBLDS6P	HBLDS10P
Non-Metallic disconnect switch with HBLAC1 auxiliary contact	HBLDS3PAC	HBLDS6PAC	HBLDS10PAC

Note: *Certified by NSF, International.

LED version for use with 3Ø Y configurations only.



HBLDS3J

Auxiliary Contacts for 30, 60 and 100 Amp Switch, NEMA A600 Pilot Duty

Description	Catalog Number
“Break After Main Break”, 1 set of n/o contacts, 1 set of n/c contacts.	HBLAC1**
“Break Before Main Break”, 1 set of n/o contacts for use with variable frequency drives.	HBLAC2**

Note: **Up to two auxiliary contacts per enclosure. Not for use with HBLDS33ACNK.

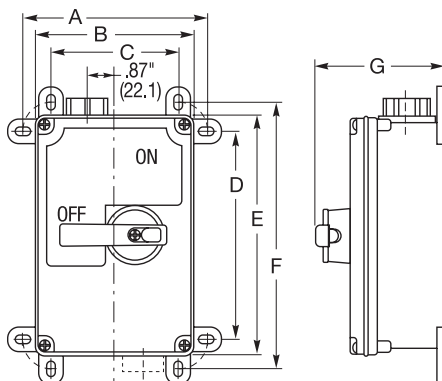
30A Units are supplied with one 3/4 in. NPT Raintight conduit fitting.

60A and 100A Units are supplied with two 1 1/4 in. NPT Raintight conduit fittings.

Replacement Accessories

	Switch	Mounting Feet	Ground Block	Neutral Block
For 30A switches	HBLDS3RS	HBLRFT1	HBL30RGB	HBL30RNB
For 60A switches	HBLDS60100RS	HBLRFT2	HBL60100RGB	HBL60RNB
For 100A switches	HBLDS60100RS	HBLRFT2	HBL60100RGB	HBL100RNB
	HBLDS33ACRS	HBLRFT1	HBL30RGB	HBL30RNB

Non-Metallic



Dimensions

Key	Labelless Non-Metallic			
	30A		60A/100A	
	inch	(mm)	inch	(mm)
A	6.00	(152)	7.75	(197)
B	5.12	(130)	6.87	(175)
C	4.12	(105)	4.75	(121)
D	6.62	(168)	8.00	(203)
E	7.62	(194)	9.95	(253)
F	8.50	(216)	11.00	(279)
G	4.12	(105)	5.94	(151)



HBLDS3P