

Switches, Three Way  
20A, 120-277V AC

# HBL® Extra Heavy Duty Industrial Locking Switch

# HUBBELL

## Features

- Large brass binding head screws with deep slots
- Lock circuits On or Off
- Strip gauge for accurate wiring

## Ordering Information

Description	Key Guide Color	UPC	Catalog Number
Key Guide, back and side-wired	Black	783585431888	HBL1223L

## Listings

UL Listed  
CSA Certified  
Fed. Spec. W-S-896

## Specifications

Top Material	Thermoset
Base Material	Thermoset, Red
Key Guide	Metallic, Black
Contacts	Silver Alloy
Terminal Screws	Brass
Ground Screw	Brass (Green)

## Performance

### Electrical

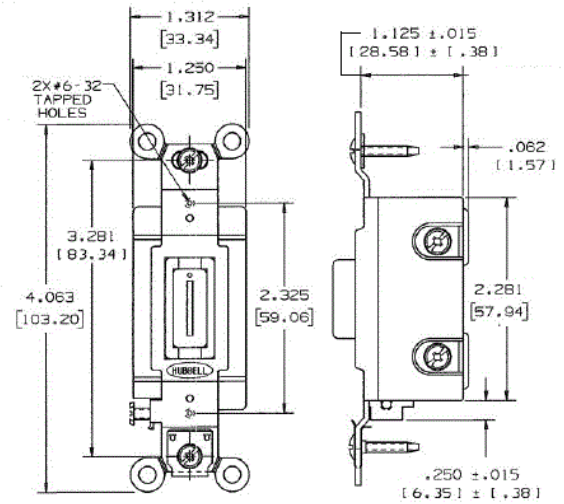
Dielectric Voltage	Withstands 1500V AC minimum for 1 minute
Max. Continuous Current	20A
Max. Working Voltage	277V AC
Overload	Minimum 4.8 times rated current for 100 cycles
Temperature Rise	30°C maximum at rated current

### Mechanical

Terminal Accommodations #14 AWG min. - #10 AWG max. solid and stranded copper wire only

### Environmental

Flammability	UL 94V-2
Operating Temperature	Max. continuous: 75°C; Min. continuous: -40°C without impact



## Online Resources

Customer Use Drawing  
eCatalog  
Installation Instructions

Dimensions in Inches (mm)

Hubbell Wiring Device-Kellems • Hubbell Incorporated (Delaware) • 40 Waterview Drive • Shelton, CT 06484

Phone (800) 288-6000 • Fax (800) 255-1031 • Specifications subject to change without notice.

