

Straight Blade Devices  
 15A, 125V, 2 Pole, 3 Wire Grounding  
 HBL® Extra Heavy Duty Compact, Side  
 Wired Only, Duplex Receptacle

# HUBBELL

## Features

- Slender/compact design
- Brass Mounting Strap
- Triple wipe contacts

## Ordering Information

Description	Device Color	UPC	Catalog Number
Side wired only	Ivory	783585434728	HBL5242I

## Listings

UL Listed to UL498 File No. E2186  
 Certified to CSA 22.2, No. 42 File 285  
 Fed. Spec. WC596  
 NEMA® WD-6 Compliant

## Specifications

Face	Nylon
Base	PBT
Power Contacts	.032" (.8) Brass
Ground Contact	.031 in. (.8) Brass
Terminal Screws	Brass
Mounting Strap	.050" (1.3) Brass
Automatic Self-grounding Clip	Stainless steel
Mounting Screws	Steel-Zinc Plated

## Performance

### Electrical

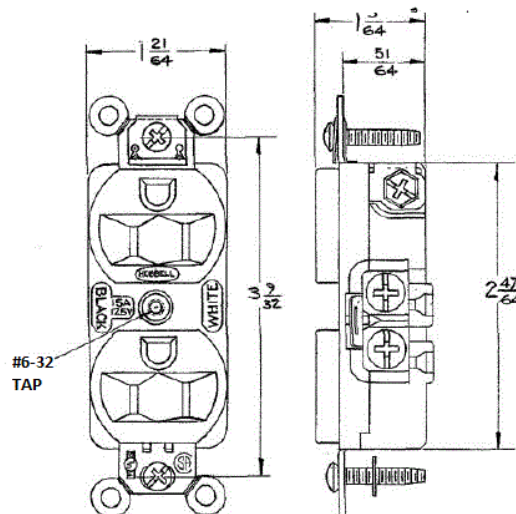
Current Interrupting	Certified for current interrupting at full rated current
Dielectric Voltage	Withstands 2,000V minimum

### Mechanical

Product Identification	Ratings are a permanent part of the device
Terminal Accommodation	#14-#10 AWG copper stranded or solid conductor only
Terminal Identification	Terminals identified in accordance with UL 498 and CSA

### Environmental

Flammability	Top: UL 94V-2, Base: UL 94V-0
Operating Temperatures	Maximum continuous 75°C; minimum -40°C (w/o impact)



## Accessories

Wallplate or Weatherproof Cover Duplex Opening

## Resources

Customer Use Drawing  
 eCatalog

Dimensions in Inches (mm)

Hubbell Wiring Device-Kellems • Hubbell Incorporated (Delaware) • 40 Waterview Drive • Shelton, CT 06484

Phone (800) 288-6000 • Fax (800) 255-1031 • Specifications subject to change without notice.

