

**50 Amp, 125, 250 Volts  
and 480 Volts AC**



**IP20**  
SUITABILITY



50A 125V  
UL/CSA



50A 250V  
UL/CSA

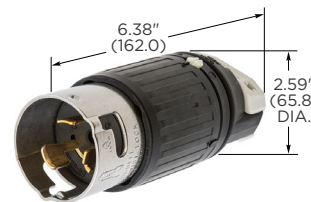


50A 480V AC  
UL/CSA

**Plugs**

Description	Cord Dia.	Catalog Number		
Nylon housing, thermoplastic polyester interior.	.830"-1.250" (21.08-31.75)	<b>CS6361C</b>	<b>CS8265C</b>	<b>CS8465C</b>

Note: See page C-60 for accessories.

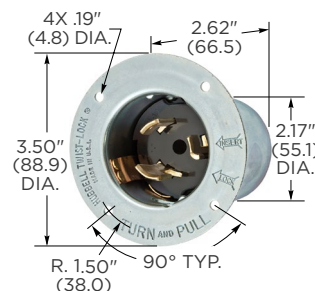


**CS8265C**

**Flanged Inlets**

Description	Catalog Number		
Zinc plated steel casing, thermoset interior.	<b>CS6377</b>	<b>CS8275</b>	<b>CS8475<sup>+</sup></b>

Note: <sup>+</sup>Not CSA Certified.



**CS8275**

**IP20**  
SUITABILITY



50A 125V  
UL/CSA



50A 250V  
UL/CSA



50A 480V AC  
UL/CSA

**Connector Bodies**

Description	Cord Dia.	Catalog Number		
Nylon housing, thermoplastic polyester interior.	.830"-1.250" (21.08-31.75)	<b>CS6360C</b>	<b>CS8264C</b>	<b>CS8464C</b>

Note: See page C-60 for accessories.

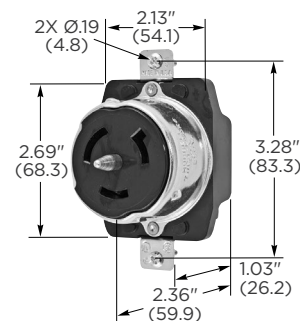


**CS8264C**

**Receptacles**

Description	Catalog Number		
Black phenolic.	<b>CS6370</b>	<b>CS8269</b>	<b>CS8469<sup>+</sup></b>

Note: See page C-60 for accessories. <sup>+</sup>Not CSA Certified.



**CS8269**

Dimensions in Inches (mm)