

## Twist-Lock® Devices

### 50A, 3 Phase 250V AC, 3 Pole, 4 Wire Grounding Flanged Inlet

# HUBBELL

#### Features

- Metallic flanged casing provides maximum strength and protection
- Thermoset interior provides superior heat resistance

#### Ordering Information

Description	Device Style	UPC	Catalog Number
Zinc plated steel casing, thermoset interior	Metallic	783585829098	CS8375

#### Listings

Listed to UL 498  
Certified to CSA C22.2 No.42

#### Specifications

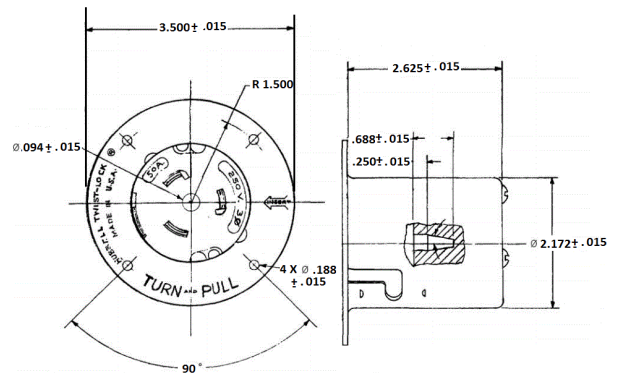
Casing	Steel, zinc plated
Terminal Retainer	Phenolic
Blades	Brass
Terminal Screws	Steel

#### Performance

Electrical	
Current Interrupting	Certified for current interrupting at full rated current
Dielectric Voltage	Withstands 2,000V minimum

Mechanical	
Terminal Accommodation	#10 AWG - #4 AWG solid or stranded copper wire only

Environmental	
Flammability	UL 94 V0
Operating Temperatures	Maximum continuous 75°C; minimum -40°C (w/o impact)



#### Accessories

Connector	CS8364C
-----------	---------

#### Online Resources

Customer Use Drawing  
eCatalog  
Installation Instructions

Dimensions in Inches (mm)

Hubbell Wiring Device-Kellems • Hubbell Incorporated (Delaware) • 40 Waterview Drive • Shelton, CT 06484

Phone (800) 288-6000 • Fax (800) 255-1031 • Specifications subject to change without notice.

