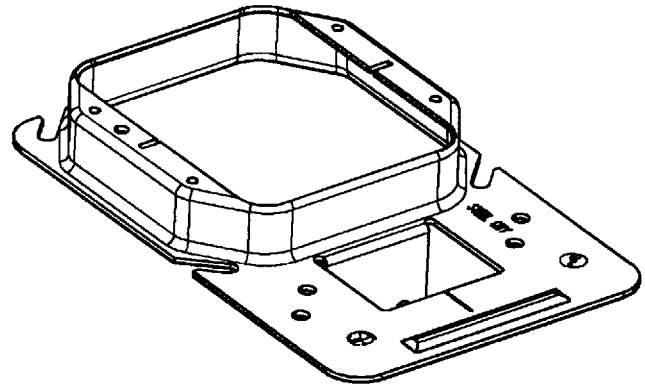




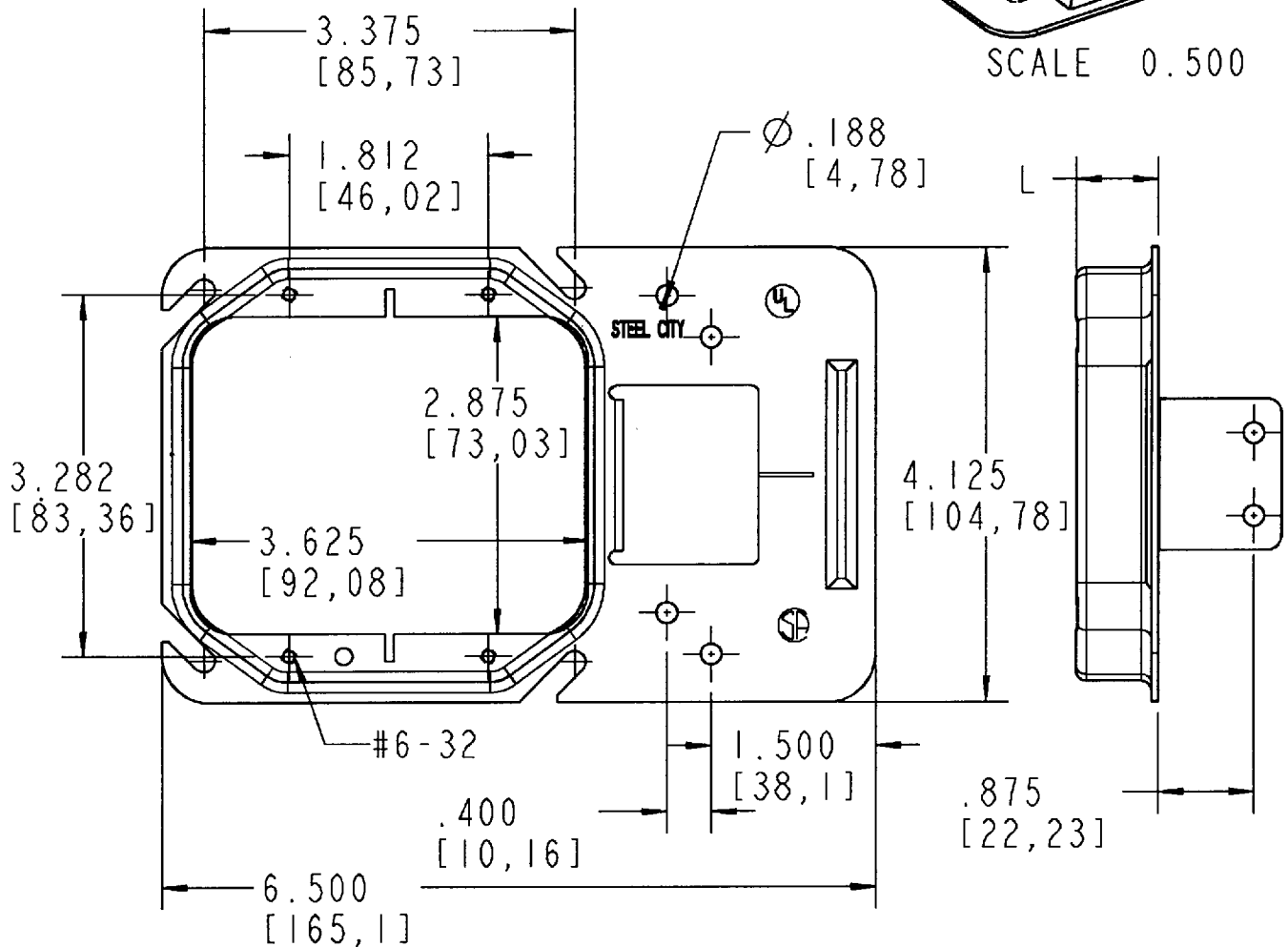
Steel City



CAT.NO.	"L"
52CMD17	1/2"
52CMD18-5/8	5/8"
52CMD18	3/4"



SCALE 0.500



MATERIAL: PRE-GALVANIZED STEEL 0.063" THICK

GENERAL NOTES

- ALL DIMENSIONS ARE FOR REFERENCE ONLY.
- DIMENSIONS IN BRACKETS [] ARE IN METRIC UNITS.

REVISIONS

** SEE ERN (****) FOR APPROVAL SIGNATURES & RELEASE DATE.
PROJECT NO: ****

Thomas & Betts

www.fab.com

DESCRIPTION:

BOX SUPPORT COVER 2 DEVICES

ORIGINAL PROJECT NO / (ERN NO)

ND55282 / (2009428)

SHEET NO:

1 OF 1

REV. NO:

**

DRAWING NO:

WSD-000397