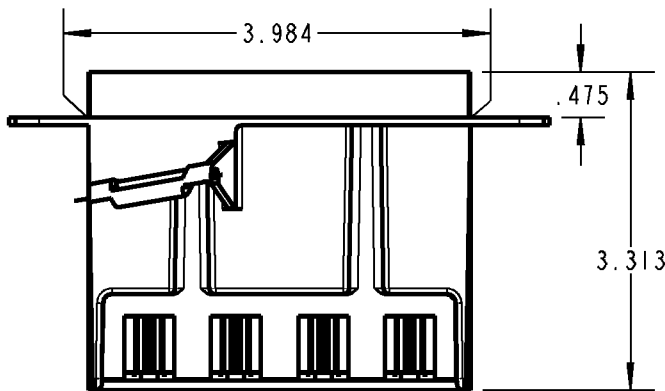
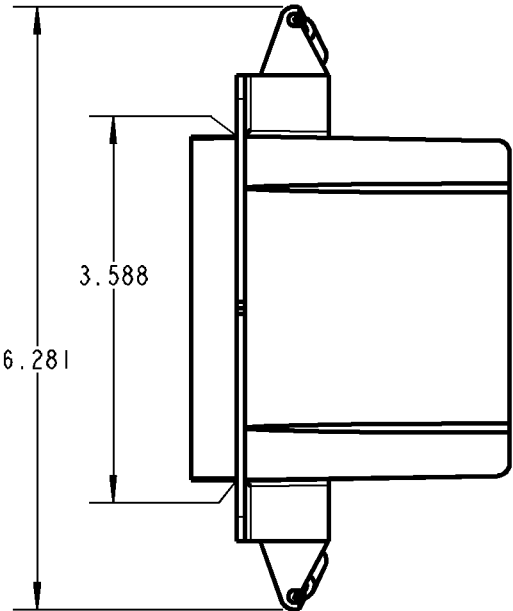
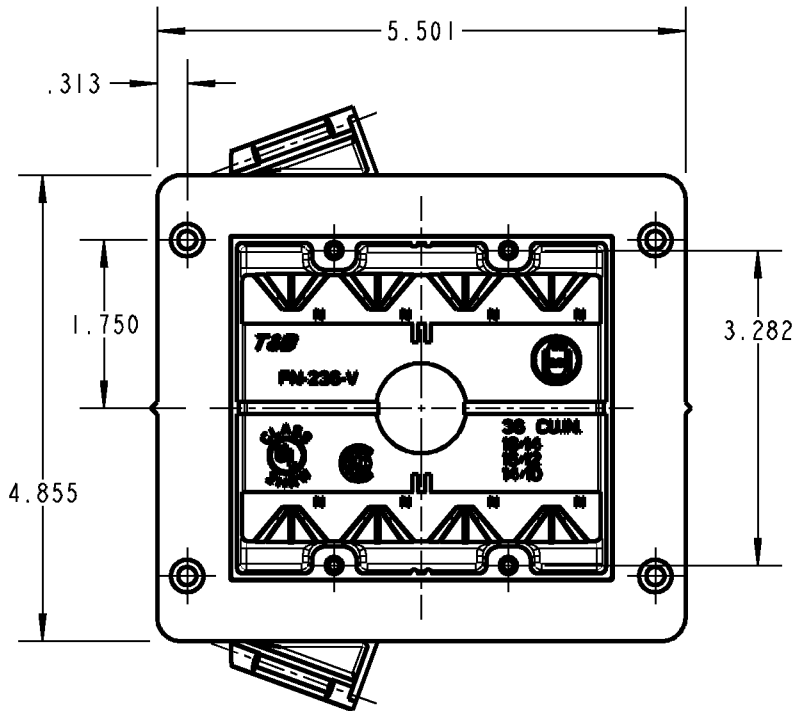
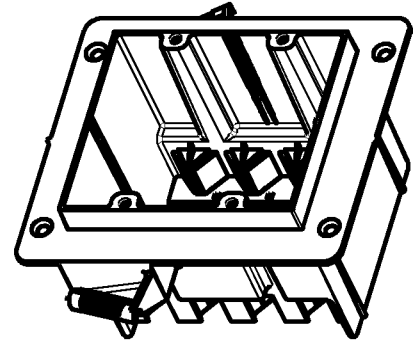


Carlton®



WARNING!

- * SOLVENTS CANNOT BE APPLIED TO ANY POLYCARBONATE ELECTRICAL BOXES.
- * DO NOT SPRAY PAINT POLYCARBONATE ELECTRICAL BOXES WITH ANY SOLVENT-BASED PAINT.
- * DO NOT SPRAY PAINT POLYCARBONATE ELECTRICAL BOXES WITH SPRAY PAINT APPLICATION WHICH INCLUDES ANY SOLVENT.

GENERAL NOTES

1. ALL DIMENSIONS ARE FOR REFERENCE ONLY.
2. DIMENSIONS IN BRACKETS [] ARE IN METRIC UNITS.

REVISIONS

** SEE ERN (****) FOR APPROVAL SIGNATURES & RELEASE DATE.
PROJECT NO: ****

www.tnb.com

Thomas & Betts
A Member of the ABB Group

DESCRIPTION:

**TWO GANG
VAPOR-TIGHT WALL BOX**

ORIGINAL PROJECT NO / (ERN NO)

NM400330 / (2016537)

SHEET NO:

1 OF 1

REV. NO:

DRAWING NO:

WSD-001503