

Section 9

Panelboards



NQ Panelboards



NF Panelboards



I-Line Panelboards

Final Distribution Panelboard Series Ratings	9-2
NQ Panelboards—240 Vac, 48 Vdc	9-6
Selection Procedure for NQ Merchandised Panelboards	9-6
NQ Merchandised Main Lug Interiors	9-7
NQ Merchandised Main Circuit Breaker Interiors	9-8
QOB Circuit Breakers for NQ Panelboards	9-11
NQ Factory Assembled Panelboards	9-14
NQ Trim Front, Ground Bar, and SPD Options	9-17
NQ Panelboard Accessories	9-18
Fingersafe IP2X per IEC 60529 Barriers for NQ Panelboards	9-20
U.S. Service Entrance Barrier Kits	9-21
NF Panelboards—600Y/347 Vac Max.	9-22
Selection Procedure for NF Merchandised Panelboards	9-22
NF Merchandised Main Lug Three Phase Interiors	9-23
NF Merchandised Main Circuit Breaker Interiors	9-24
E-Frame Circuit Breakers for NF Panelboards	9-25
NF Factory Assembled Main Circuit Breakers	9-27
NF Factory Assembled Panelboard Common Features	9-28
NF Panelboard Accessories	9-31
Separated Distribution and Split Bus Panelboards	9-34
Separated Distribution and Split Bus NF and NQ Panelboards	9-34
Single Row (Column Width) NF and NQ Panelboards	9-36
NQ Single-Row Panelboards—240 Vac Bolt-on	9-36
NF Single-Row Panelboards—600Y/347 Vac Bolt-on	9-37
MVP Panelboards	9-38
NQ and NF Measurement and Verification Panelboards (MVP)	9-38
Powerlink™ Lighting Control Systems	9-39
Powerlink Lighting Control Products	9-39
Powerlink MVP Panelboards	9-43
I-Line™ Panelboards—600 Vac, 250 Vdc	9-44
I-Line Merchandised Panelboards	9-44
I-Line Merchandised Panelboard Accessories	9-47
Molded Case Circuit Breakers for I-Line Panelboards	9-51
I-Line Factory Assembled Panelboards	9-60
Special Features, Modifications, and Terminal Data	9-61
Special Features	9-61
Terminal Data for I-Line Panelboards	9-61
I-Line Enable Modules	9-62
I-Line Panelboards Enable Modules	9-62
I-Line Series Ratings for I-Line Panelboards	9-64
I-Line Series Connected Circuit Breaker Ratings	9-64

NQ Panelboards

This page contains UL Tested and Certified series combination ratings for panelboards. These ratings apply to either an integral main located in the same enclosure or a remote main located in a separate enclosure.

Table 9.1: NQ Series Connected Circuit Breaker Ratings (RMS Symmetrical)

Maximum System Voltage AC [1]	Maximum Short Circuit Current Rating[2]	Square D™ Brand Integral or Remote Main Circuit Breakers and Remote Main Fuses[3][4][5]	Square D™ Brand Branch Circuit Breaker Catalog Designation and Allowable Ampere Ranges				
			Type[6][7][8]	1 Pole	2 Pole	3 Pole	
120/240 1P/3W 208Y/120 3P/4W 240/120 3P/4W	18,000	LA / LH	QO (B)	15–30 A	15–30 A	—	
			QO (B)	15–70 A	15–125 A	—	
	22,000	QO (B) VH, QOB-VH	QO (B) GFI	15–30 A	15–60 A	—	
			QO (B) EPD	15–30 A	15–60 A	—	
			QO (B) PL	15–30 A	15–60 A	—	
			QO (B) AFI	15–20 A	—	—	
			QO (B) CAFI	15–20 A	15–20 A	—	
			QO (B) DF	15–20 A	—	—	
			QO (B)	15–70 A	15–125 A	—	
			QOB-VH	—	150 A	—	
	25,000	QD	QO (B) PL	15–30 A	15–60 A	—	
			QO (B) GFI	15–30 A	15–60 A	—	
			QO (B) EPD	15–30 A	15–60 A	—	
			QO (B) AFI	15–20 A	—	—	
			QO (B) CAFI	15–20 A	15–20 A	—	
			QO (B) DF	15–20 A	—	—	
			QO (B)	15–70 A	15–125 A	—	
			QO (B) GFI	15–30 A	15–60 A	—	
			QO (B) EPD	15–30 A	15–60 A	—	
			QO (B) AFI	15–20 A	—	—	
			QO (B) CAFI	15–20 A	15–20 A	—	
			QO (B) DF	15–20 A	—	—	
		BD, HD, JD, LD	QO (B)	15–70 A	15–125 A	—	
			QOB-VH	—	150 A	—	
			QO (B) PL	15–30 A	15–60 A	—	
			QO (B) GFI	15–30 A	15–60 A	—	
			QO (B) EPD	15–30 A	15–60 A	—	
			QO (B) AFI	15–20 A	—	—	
			QO (B) CAFI	15–20 A	15–20 A	—	
			QO (B) DF	15–20 A	—	—	
			QO (B)	15–70 A	15–125 A	—	
			QOB-VH	—	150 A	—	
			QO (B) PL	15–30 A	15–60 A	—	
			QO (B) GFI	15–30 A	15–60 A	—	
	42,000	LA	QO (B)	15–30 A	15–30 A	—	
			QO (B)	15–70 A	15–125 A	—	
	65,000	QG	QO (B) VH	15–70 A	15–125 A	—	
			QOB-VH	—	150 A	—	
			QO (B) GFI	15–30 A	15–60 A	—	
			QO (B) PL	15–30 A	15–60 A	—	
			QO (B) AFI	15–20 A	—	—	
			QO (B) CAFI	15–20 A	15–20 A	—	
			QO (B) DF	15–20 A	—	—	
			QO (B)	15–70 A	15–125 A	—	
			QO (B) GFI	15–30 A	15–60 A	—	
			QO (B) EPD	15–30 A	15–60 A	—	
			QO (B) EPE	—	—	—	
			QO (B) AFI	15–20 A	—	—	
		QO (B) CAFI	15–20 A	15–20 A	—		
		QO (B) DF	15–20 A	—	—		
		BG, HG, JG, LG	QO (B)	15–70 A	15–125 A	—	
			QOB-VH	—	150 A	—	
			QO (B) PL	15–30 A	15–60 A	—	
			QO (B) GFI	15–30 A	15–60 A	—	
			QO (B) EPD	15–30 A	15–60 A	—	
			QO (B) AFI	15–20 A	—	—	
			QO (B) CAFI	15–20 A	15–20 A	—	
			QO (B) DF	15–20 A	—	—	
			QO (B)	15–70 A	15–125 A	—	
			QOB-VH	—	150 A	—	
			QO (B) PL	15–30 A	15–60 A	—	
			QO (B) GFI	15–30 A	15–60 A	—	
		100,000	QJ	QO (B) EPD	15–30 A	15–60 A	—
				QO (B) AFI	15–20 A	—	—
				QO (B) CAFI	15–20 A	15–20 A	—
				QO (B) DF	15–20 A	—	—
				QO (B)	15–70 A	15–125 A	—
				QOB-VH	—	150 A	—
				QO (B) PL	15–30 A	15–60 A	—
				QO (B) GFI	15–30 A	15–60 A	—

[1] Series Ratings listed at higher system voltages apply to lower system voltages (Example: 240 3P/3W covers 208Y/120 3P/4W).

[2] Short Circuit tests are conducted at 100–105% of the maximum rated voltage of the panelboard.

[3] Please consult the NQ/NQM Panelboards Information Manual (80043-712-06) for additional information, including series ratings with obsolete circuit breakers.

[4] Where LG is shown, LJ and LL can be used.

[5] Unless otherwise noted, main breakers can be applied at the maximum available amperage rating.

[6] Suffixes HID, SWD, and SWN may also be applied to the applicable branch circuit breakers shown above.

[7] Where QO(B) circuit breakers are shown above, QO(B)H, QO(B)VH, and QH(B) circuit breakers may also be used.

[8] Two-pole CAFI circuit breakers cannot be used on 208Y/120V systems.

Table 9.1 NQ Series Connected Circuit Breaker Ratings (RMS Symmetrical) (cont'd.)

Maximum System Voltage AC [9]	Maximum Short Circuit Current Rating[10]	Square D™ Brand Integral or Remote Main Circuit Breakers and Remote Main Fuses[11][12][13]	Square D™ Brand Branch Circuit Breaker Catalog Designation and Allowable Ampere Ranges						
			Type[14][15][16]	1 Pole	2 Pole	3 Pole			
		EJ	QO (B)	15–70 A	15–125 A	—			
			QO (B) GFI	15–30 A	15–60 A	—			
			QO (B) EPD	15–30 A	15–60 A	—			
			QO (B) AFI	15–20 A	—	—			
			QO (B) CAFI	15–20 A	15–20 A	—			
			QO (B) DF	15–20 A	—	—			
		BJ, HJ, JJ	QO (B)	15–70 A	15–125 A	—			
			QOB-VH	—	150 A	—			
			QO (B) PL	15–30 A	15–60 A	—			
			QO (B) GFI	15–30 A	15–60 A	—			
			QO (B) EPD	15–30 A	15–60 A	—			
			QO (B) AFI	15–20 A	—	—			
		LJ	QO (B) CAFI	15–20 A	15–20 A	—			
			QO (B) DF	15–20 A	—	—			
			QO (B)	15–70 A	15–125 A	—			
			QOB-VH	—	150 A	—			
			QO (B) GFI	—	15–60 A	—			
			QO (B) EPD	—	15–60 A	—			
	125,000	HL, JL	QO (B) AFI	15–20 A	—	—			
			QO (B) CAFI	15–20 A	15–20 A	—			
			QO (B) DF	15–20 A	—	—			
			QO (B)	15–70 A	15–125 A	—			
			QOB-VH	—	150 A	—			
			QO (B) PL	15–30 A	15–60 A	—			
		HR, JR	QO (B) GFI	15–30 A	15–60 A	—			
			QO (B) EPD	15–30 A	15–60 A	—			
			QO (B) AFI	15–20 A	—	—			
			QO (B) CAFI	15–20 A	15–20 A	—			
			QO (B) DF	15–20 A	—	—			
			QO (B)	15–70 A	15–125 A	—			
		200,000	HR, JR	QOB-VH	—	150 A	—		
				QO (B) GFI	15–30 A	15–60 A	—		
				QO (B) EPD	15–30 A	15–60 A	—		
				QO (B) AFI	15–20 A	—	—		
				QO (B) CAFI	15–20 A	15–20 A	—		
				QO (B) DF	15–20 A	—	—		
240 1P/2W	25,000		QD, BD, HD, JD, LD	QO (B) H	—	15–100 A	—		
			LA	QDL	—	70–225 A	—		
			65,000	QG, BG, HG, JG, LG	QO (B) H	—	15–100 A	—	
			100,000	BJ, HJ, JJ, LJ	QO (B) H	—	15–100 A	—	
			125,000	HL, JL	QO (B) H	—	15–100 A	—	
			18,000	LA/LH	QO (B)	—	—	15–30 A	
	208Y/120 3P/4W			22,000	QO (B) VH, QOB-VH	QO (B) GFI	—	15–50 A	
					25,000	QD, ED, BD, HD, JD	QO (B) GFI	—	15–50 A
						LD	QO (B) GFI	—	15–30 A
				65,000	QG, EG, BG, HG, JG	QO (B) GFI	—	15–50 A	
					LG	QO (B) GFI	—	15–30 A	
			100,000		QJ	QO (B)	—	—	15–30 A
QO (B) VH	—	—		15–100 A					
QOB-VH	—	—		110–150 A					
QO (B) PL	—	—		15–30 A					
QO (B) GFI	—	—		15–50 A					
QO (B) EPD	—	—		15–50 A					
QO (B) EPE	—	—		15–50 A					
QO (B) GFI	—	—		15–50 A					
EJ, BJ, HJ, JJ	QO (B) GFI	—		—		15–50 A			
240/120 3P/4W 240 3P/3W	22,000	QO (B) VH	QO (B)	—	—	15–100 A			
			QO (B) EPD	—	—	15–50 A			
			QO (B) EPE	—	—	15–50 A			
	25,000	QD	QO (B)	—	—	15–30 A			
			QO (B) VH	—	—	15–100 A			
			QOB-VH	—	—	110–150 A			
			QO (B) PL	—	—	15–30 A			
			QO (B) EPD	—	—	15–50 A			
			QO (B) EPE	—	—	15–50 A			
		ED	QO (B)	—	—	15–100 A			
			QO (B) EPD	—	—	15–50 A			
			QO (B) EPE	—	—	15–50 A			
			BD, HD, JD	QO (B)	—	—	15–100 A		
				QO (B) VH	—	—	110–150 A		
				QO (B) PL	—	—	15–30 A		

[9] Series Ratings listed at higher system voltages apply to lower system voltages (Example: 240 3P/3W covers 208Y/120 3P/4W).

[10] Short Circuit tests are conducted at 100–105% of the maximum rated voltage of the panelboard.

[11] Please consult the NQ/NQM Panelboards Information Manual (80043-712-06) for additional information, including series ratings with obsolete circuit breakers.

[12] Where LG is shown, LJ and LL can be used.

[13] Unless otherwise noted, main breakers can be applied at the maximum available amperage rating.

[14] Suffixes H1D, SWD, and SWN may also be applied to the applicable branch circuit breakers shown above.

[15] Where QO(B) circuit breakers are shown above, QO(B)H, QO(B)VH, and QH(B) circuit breakers may also be used.

[16] Two-pole CAFI circuit breakers cannot be used on 208Y/120V systems.

Table 9.1 NQ Series Connected Circuit Breaker Ratings (RMS Symmetrical) (cont'd.)

Maximum System Voltage AC [9]	Maximum Short Circuit Current Rating [10]	Square D™ Brand Integral or Remote Main Circuit Breakers and Remote Main Fuses [11][12][13]	Square D™ Brand Branch Circuit Breaker Catalog Designation and Allowable Ampere Ranges						
			Type [14][15][16]	1 Pole	2 Pole	3 Pole			
9 PANELBOARDS	42,000	LD	QO (B) EPD	—	—	15–50 A			
			QO (B) EPE	—	—	15–50 A			
			QO (B) VH	—	—	15–100 A			
			QOB-VH	—	—	110–150 A			
			QO (B) EPD	—	—	15–30 A			
		LA	QO (B) EPE	—	—	15–30 A			
			QDL	—	—	70–225 A			
			QO (B) VH	—	—	15–30 A			
			QOB-VH	—	—	110–150 A			
			QO (B)	—	—	15–30 A			
	65,000	QG	QO (B) VH	—	—	15–100 A			
			QOB-VH	—	—	110–150 A			
			QO (B) PL	—	—	15–30 A			
			QO (B)	—	—	15–100 A			
			QOB-VH	—	—	110–125 A			
			EG, FG	QO (B) EPD	—	—	15–50 A		
				QO (B) EPE	—	—	15–50 A		
				QO (B)	—	—	15–100 A		
				QOB-VH	—	—	110–150 A		
				QO (B) PL	—	—	15–30 A		
		BG, HG, JG		QO (B) EPD	—	—	15–50 A		
				QO (B) EPE	—	—	15–50 A		
				QO (B) VH	—	—	15–100 A		
				QOB-VH	—	—	110–150 A		
				QO (B) PL	—	—	15–30 A		
			LG	QO (B) EPD	—	—	15–50 A		
				QO (B) EPE	—	—	15–50 A		
				QO (B) VH	—	—	15–100 A		
				QOB-VH	—	—	110–150 A		
				QO (B) EPD	—	—	15–30 A		
		EJ		QO (B) EPE	—	—	15–50 A		
				QO (B)	—	—	15–100 A		
				QOB-VH	—	—	110–125 A		
				QO (B) EPD	—	—	15–50 A		
				QO (B) EPE	—	—	15–50 A		
			BJ, HJ, JJ	QO (B)	—	—	15–100 A		
				QOB-VH	—	—	110–150 A		
				QO (B) PL	—	—	15–30 A		
				QO (B) EPD	—	—	15–50 A		
				QO (B) EPE	—	—	15–50 A		
		LJ		QO (B) VH	—	—	15–100 A		
				QOB-VH	—	—	110–150 A		
				QO (B)	—	—	15–100 A		
				QOB-VH	—	—	110–150 A		
				QO (B) PL	—	—	15–30 A		
			125,000	HL, JL	QO (B) EPD	—	—	15–50 A	
					QO (B) EPE	—	—	15–50 A	
					QO (B)	—	—	15–100 A	
					QOB-VH	—	—	110–150 A	
					QO (B) PL	—	—	15–30 A	
	HR, JR	QO (B) EPD		—	—	15–50 A			
		QO (B) EPE		—	—	15–50 A			
		QO (B)		—	—	15–100 A			
		QOB-VH		—	—	110–150 A			
		QO (B) PL		—	—	15–30 A			
	120/240 1P/3W 208Y/120 3P/4W 240/120 3P/4W	42,000	400 A Max. Class T3 Fuses	QO (B) VH	15–70 A	15–125 A	—		
			65,000	400 A Max. Class J Fuses	QO (B) VH	15–70 A	15–125 A	—	
					QO (B) AFI	15–20 A	—	—	
					QO (B) CAFI	15–20 A	15–20 A	—	
					QO (B) DF	15–20 A	—	—	
					QO (B) VH	15–70 A	15–125 A	—	
				400 A Max. Class T6 Fuses	QOB-VH	—	150 A	—	
					QO (B) AFI	15–20 A	—	—	
					QO (B) CAFI	15–20 A	15–20 A	—	
					QO (B) DF	15–20 A	—	—	
		QO (B)			15–70 A	15–125 A	—		
		100,000	200 A Max. Class T3 Fuses	QO (B) GFI	15–30 A	15–60 A	—		
				QO (B) EPD	15–30 A	15–60 A	—		
				QO (B) AFI	15–20 A	—	—		
				QO (B) CAFI	15–20 A	15–20 A	—		
				QO (B) DF	15–20 A	—	—		
			200 A Max. Class T6 or J Fuses	QO (B)	15–70 A	15–125 A	—		
				QO (B) GFI	15–30 A	15–60 A	—		
				QO (B) EPD	15–30 A	15–60 A	—		
				QO (B)	15–70 A	15–125 A	—		
				QO (B) GFI	15–30 A	15–60 A	—		
		200,000	400 A Max. Class T3 Fuses	QO (B) EPD	15–30 A	15–60 A	—		
				QO (B)	15–70 A	15–125 A	—		
				QO (B) GFI	15–30 A	15–60 A	—		
				QO (B) EPD	15–30 A	15–60 A	—		
				QO (B)	15–70 A	15–125 A	—		
			208Y/120 3P/4W	65,000	400 A Max Class J	QO (B) GFI	—	—	15–50 A
				100,000	200 A Max Class T3	QO (B) GFI	—	—	15–50 A
				200,000	200 A Max. Class T6 or J Fuses	QO (B) GFI	—	—	15–50 A
						QO (B) GFI	—	—	15–50 A
						QO (B) EPD	15–30 A	15–60 A	—
		QO (B)				15–70 A	15–125 A	—	
		400 A Max. Class T3 Fuses			QO (B) GFI	15–30 A	15–60 A	—	
					QO (B) EPD	15–30 A	15–60 A	—	
					QO (B) GFI	—	—	15–50 A	
					QO (B) GFI	—	—	15–50 A	

[9] Series Ratings listed at higher system voltages apply to lower system voltages (Example: 240 3P/3W covers 208Y/120 3P/4W).

[10] Short Circuit tests are conducted at 100–105% of the maximum rated voltage of the panelboard.

[11] Please consult the NQ/NQM Panelboards Information Manual (80043-712-06) for additional information, including series ratings with obsolete circuit breakers.

[12] Where LG is shown, LJ and LL can be used.

[13] Unless otherwise noted, main breakers can be applied at the maximum available amperage rating.

[14] Suffixes HID, SWD, and SWN may also be applied to the applicable branch circuit breakers shown above.

[15] Where QO(B) circuit breakers are shown above, QO(B)H, QO(B)VH, and QH(B) circuit breakers may also be used.

[16] Two-pole CAFI circuit breakers cannot be used on 208Y/120V systems.

Table 9.1 NQ Series Connected Circuit Breaker Ratings (RMS Symmetrical) (cont'd.)

Maximum System Voltage AC [9]	Maximum Short Circuit Current Rating [10]	Square D™ Brand Integral or Remote Main Circuit Breakers and Remote Main Fuses [11][12][13]	Square D™ Brand Branch Circuit Breaker Catalog Designation and Allowable Ampere Ranges			
			Type [14][15][16]	1 Pole	2 Pole	3 Pole
240/120 3P/4W 240 3P/3W	50,000	600 A Max. Class T3 Fuses	QO (B) VH	—	—	15–30 A
		400 A Max. Class J Fuses	QO (B) VH	—	—	15–100 A
	65,000	400 A Max. Class T6 Fuses	QO (B) VH	—	—	15–100 A
			QOB-VH	—	—	110–150 A
	100,000	200 A Max. Class T3 Fuses	QO (B)	—	—	15–100 A
			QO (B) EPD	—	—	15–50 A
			QO (B) EPE	—	—	15–50 A
			QO (B)	—	—	15–100 A
	200,000	200 A Max. Class T6 or J Fuses	QO (B) EPD	—	—	15–50 A
			QO (B) EPE	—	—	15–50 A
			QO (B)	—	—	15–100 A
		400 A Max. Class T3 Fuses	QO (B) EPD	—	—	15–50 A
			QO (B) EPE	—	—	15–50 A
			QO (B) EPE	—	—	15–50 A

NF Panelboards

This page contains UL Tested and Certified series combination ratings for panelboards. These ratings apply to either an integral main located in the same enclosure or a remote main located in a separate enclosure.

Table 9.2: NF Series Connected Circuit Breaker Ratings (RMS Symmetrical)

Maximum System Voltage, AC [17]	Max. Short Circuit Current Rating	Square D™ Brand Integral or Remote Main Circuit Breakers and Remote Main Fuses [18]	Square D™ Brand Branch Circuit Breaker Catalog Designation and Allowable Ampere Ranges				
			Circuit Breaker Abbreviation [19]	1 Pole	2 Pole	3 Pole	
120 120/240 240	65,000	EG, BG, HG, JG, LG, LH	EDB	15–70	15–125	15–125	
		EG	ECB-G3	15–30	15–30	15–30	
	100,000	EJ, BJ, HJ, JJ, LJ	EDB, EGB	15–70	15–125	15–125	
		EJ, BJ, HJ, JJ	ECB-G3	15–30	15–30	15–30	
	125,000	HL, JL	EDB, EGB, EJB	15–70	15–125	15–125	
		HL, JL	ECB-G3	15–30	15–30	15–30	
	200,000	HR, JR, LR	EDB, EGB, EJB	15–70	15–125	15–125	
			ECB-G3	15–30	15–30	15–30	
		Class J or T (600 V) 200 A Max Fuses	ECB-G3	15–30	15–30	15–30	
			ECB-G3	15–30	15–30	15–30	
277 480Y/277	35,000	EG, BG, HG, JG, LG, LH	EDB	15–70	15–125	15–125	
		EG, BG, HG, JG, LG, LH	EDB-EPD	15–50	—	—	
		EG, BG, HG, JG	ECB-G3	15–30	15–30	15–20	
	65,000	EJ, BJ, HJ, JJ, LJ	EDB, EPD	15–70	15–125	15–125	
			EJ, BJ, HJ, JJ, LJ, LL	EDB-EPD, EGB-EPD	15–50	—	—
		EJ, BJ, HJ, JJ	ECB-G3	15–30	15–30	15–20	
	100,000	HL, JL, LL	EDB, EGB, EJB	15–70	15–125	15–125	
			EDB-EPD, EGB-EPD, EJB-EPD	15–50	—	—	
		Class J or T (600 V) 400 A Max Fuses	EDB, EGB, EJB	15–70	15–125	15–125	
			EDB-EPD, EGB-EPD, EJB-EPD	15–50	—	—	
		200,000	HR, JR, LR	EDB, EGB, EJB	15–70	15–125	15–125
				EDB-EPD, EGB-EPD, EJB-EPD	15–50	—	—
	HR, JR		ECB-G3	15–30	15–30	15–20	
			EDB, EGB, EJB	15–70	15–125	15–125	
	Class J or T (600 V) 200 A Max Fuses		EDB-EPD, EGB-EPD, EJB-EPD	15–50	—	—	
			ECB-G3	15–30	15–30	15–20	
	347 600Y/347	18,000	HG, BG, JG, LG	EDB	15–70	15–100	15–100
		25,000	EJ, BJ, HJ, JJ, LJ, LH	EDB, EGB	15–70	15–100	15–100
50,000		HL, JL, LL	EDB, EGB, EJB	15–70	15–100	15–100	
		HR, JR	EDB, EGB, EJB	15–70	15–100	15–100	
65,000		LR	EJB	15–70	15–100	15–100	
			EDB, EGB, EJB	15–70	15–100	15–100	
200,000		Class J or T (600 V) 200 A Max Fuses	EDB, EGB, EJB	15–70	15–100	15–100	

[9] Series Ratings listed at higher system voltages apply to lower system voltages (Example: 240 3P/3W covers 208Y/120 3P/4W).
 [10] Short Circuit tests are conducted at 100–105% of the maximum rated voltage of the panelboard.
 [11] Please consult the NQ/NQM Panelboards Information Manual (80043-712-06) for additional information, including series ratings with obsolete circuit breakers.
 [12] Where LG is shown, LJ and LL can be used.
 [13] Unless otherwise noted, main breakers can be applied at the maximum available amperage rating.
 [14] Suffixes HID, SWD, and SWN may also be applied to the applicable branch circuit breakers shown above.
 [15] Where QO(B) circuit breakers are shown above, QO(B)H, QO(B)VH, and QH(B) circuit breakers may also be used.
 [16] Two-pole CAFI circuit breakers cannot be used on 208Y/120V systems.
 [17] Short circuit tests are conducted at 100–105% of the maximum rated voltage of the panelboard.
 [18] Please consult the NF/NFOM Panelboards Information Manual (80043-741-03) for additional information, including series ratings with obsolete circuit breakers.
 [19] EDB-EPD, EGB-EPD & EJB-EPD suitable for 480Y/277Vac or 277Vac ONLY.

Selection Procedure for NQ Merchandised Panelboards

1. Review maximum electrical system voltage, ampacity, and available fault current, and determine the type of panelboard that is desired (see tables [Table 9.1](#), and [Table 9.150–Table 9.151](#)).
2. Identify type (plug-on or bolt-on) and total quantity of branch circuit breaker poles and panel spaces required (see Digest sections 7 and 9 for catalog numbers).
3. Select proper main lug interior (from [Main Circuit Breaker Interiors—Will accept plug-on and bolt-on circuit breakers](#), page 9-8 or from [Table 9.5](#)) or:
 - Select main circuit breaker interior and main circuit breaker adapter kit (from or [Table 9.6](#)), based upon the equivalent number of poles and ampere rating.
NOTE: Interiors include solid neutral and are field convertible to top-feed.
 - If a main circuit breaker interior was selected, select a vertical main circuit breaker (or fuse) from the PowerPacT H-, J-, L- Q-, or LA/LH frame pages in Section 7 of the Digest, or a QOB or QOB-VH back-fed main circuit breaker in Section 9 of the Digest.
4. Select ground bars from tables [Table 9.7](#) or any non-standard neutral assemblies (i.e., 200% neutral for non-linear loads) from [Table 9.36](#).
 - Please note that an aluminum ground bar kit is included with NQ Panelboard Interiors.
5. Select any required sub-feed circuit breakers, sub-feed lugs (SFL), or feed-through lugs (FTL) kits:
 - Subfeed circuit breaker (SFB), Sub-feed lugs (SFL) or feed-through lugs (FTL) kits: [Table 9.37](#) in the NQ Accessories sections.
 - For subfeed circuit breakers select a PowerPacT H-, J-, L-, or Q-frame circuit breaker from Section 7 of the Digest.
6. Determine the total enclosure height required by adding requirements from interior, main circuit breaker, neutrals and ground bars, SFL, FTL, or sub-feed circuit breaker.
7. Select enclosure from the tables [Table 9.3–Table 9.7](#), [Table 9.23](#) [Table 9.25](#), and [Table 9.36–Table 9.40](#).
 NEMA Type 1—select box and front (cover) catalog number corresponding to interior catalog number.
 NEMA Type 3R, 5, 12—select enclosure. Cover for Type 3R, 5, 12 is included with the enclosure.
8. Select the branch circuit breakers to be installed in the panel.
 For NQ panelboards use QO (VH) or QH circuit breakers from Section 7 of the Digest, QOB(VH), or QHB circuit breakers from Section 9 of the Digest.
9. Select options and accessories from [Table 9.5–](#)
NOTE: Additional NF and NQ options may be found in the [Supplemental and Obsolescence Digest, Section 4](#).

NQ Merchandised Selection Example

208Y/120 Vac, 3Ø4W, 10 kA SCCR, 225 A, MLO, NEMA Type-1, surface-mount, bolt-on, branch circuit breakers, main sub-feed lugs

Branches	Table No.	Catalog Number	Spaces
(20) 20/1	Table 9.9	(20) QOB120	20
two 40/2	Table 9.9	two QOB240	4
two 30/3	Table 9.9	two QOB330	6

Total 30 spaces

Branches	Table No.	Catalog Number	Min. Box Height
225 A MLO Interior	Table 9.3	NQ430L2	32 inches
Enclosure (Box)	Table 9.3	MH38	—
Front (Cover)	Table 9.3	NC382S	—
Sub-feed Lugs	Table 9.37 and Table 9.38	NQSFL2	6 inches

Total 38 inches

NQ Main Lug Interiors—240 Vac, 48 Vdc^[1]

Table 9.3: Main Lug Interiors—Accepts plug-on and bolt-on circuit breakers

Circuit Breaker Pole Spaces ^[2]	Mains Rating (Amps)	Interior Only (Order Branch Circuit Breakers Separately) ^{[3][4]}	NEMA Type 1 Enclosure ^[5]					Water, Dirt, & Dust Resistant Enclosure Catalog Numbers ^{[5][6]}			
			Box 20 in. W x 5.75 in. D ^[7] or 8.75 in. D ^{[8][9]}	Mono-Flat™ Trim Front ^[10]	Hinged Trim Front ^[10]	Mono-Flat™ 3 Point Latch Trim Front ^[10] ^[11]	Hinged 3 Point Latch Trim Front ^{[10][11]}	Type 3R/5/12 20 in. W x 5.75 in. D ^[12]	Vented Type 3R 26 in. W x 8.75 in. D ^[13]	Height (In.)	
20-inch-wide Cabinet ^[14] —Single Phase 3-Wire.											
18	100	NQ18L1	MH26, MH26BE	NC26 ()	NC26()HR	–	–	MH26WP	–	26	
		NQ18L1C									
30	100	NQ30L1	MH32, MH32BE	NC32 ()	NC32()HR	–	–	MH32WP	–	32	
		NQ30L1C									
30	225	NQ30L2	MH32, MH32BE	NC32 ()	NC32()HR	–	–	MH32WP	–	32	
		NQ30L2C									
42		NQ42L2	MH38, MH38BE	NC38 ()	NC38()HR	–	–	MH38WP	–	38	
		NQ42L2C									
72		NQ72L2	MH44, MH44BE	NC44 ()	NC44()HR	–	–	MH44WP	–	44	
		NQ72L2C									
84	225	NQ84L2	MH50, MH50BE	NC50 ()	NC50()HR	–	–	MH50WP	–	50	
		NQ84L2C									
30		400	NQ30L4	MH50, MH50BE	NC50V ()	NC50V()HR	NC50V()3P	–	MH50WP	MH62D9VWP	50/62
			NQ30L4C								
42			NQ42L4								
			NQ42L4C								
54	400	NQ54L4	MH56, MH56BE	NC56V()	NC56V()HR	NC56V()3P	–	MH56WP	MH68D9VWP	56/68	
		NQ54L4C									
84 ^[15]	400	NQ84L4C	MH68, MH68BE	NC68V ()	NC68V()HR	NC68V()3P	NC68V()3PHR	MH68WP	MH80D9VWP	68/80	
		NQ84L4C									
30	600	NQ30L6C	MH50, MH50BE	NC50V ()	NC50V()HR	NC50V()3P	NC50V()3PHR	MH62WP ^[16]	MH62D9VWP ^[16]	50/62	
42		NQ42L6C									
54		NQ54L6C	MH56, MH56BE	NC56V()	NC56V()HR	NC56V()3P	NC56V()3PHR	MH68WP ^[16]	MH68D9VWP ^[16]	56/68	
84 ^[15]		NQ84L6C	MH68, MH68BE	NC68V ()	NC68V()HR	NC68V()3P	NC68V()3PHR	MH80WP ^[16]	MH80D9VWP ^[16]	68/80	
20-inch-wide Cabinet ^[14] —Three Phase 4-Wire											
18	100	NQ418L1	MH26, MH26BE	NC26 ()	NC26()HR	–	–	MH26WP	–	26	
		NQ418L1C									
30	100	NQ430L1	MH32, MH32BE	NC32 ()	NC32()HR	–	–	MH32WP	–	32	
		NQ430L1C									
30	225	NQ430L2	MH32, MH32BE	NC32 ()	NC32()HR	–	–	MH32WP	–	32	
		NQ430L2C									
42		NQ442L2	MH38, MH38BE	NC38 ()	NC38()HR	–	–	MH38WP	–	38	
		NQ442L2C									
54		NQ454L2									
		NQ454L2C									
72 ^[15]	NQ472L2	MH44, MH44BE	NC44 ()	NC44()HR	–	–	MH44WP	–	44		
	NQ472L2C										
84 ^[15]	225	NQ484L2	MH50, MH50BE	NC50 ()	NC50()HR	–	–	MH50WP	–	50	
		NQ484L2C									
30		400	NQ430L4	MH50, MH50BE	NC50V ()	NC50V()HR	NC50V()3P	–	MH50WP	MH62D9VWP ^[16]	50/62
			NQ430L4C								
42			NQ442L4								
			NQ442L4C								
54	400	NQ454L4	MH56, MH56BE	NC56V()	NC56V()HR	NC56V()3P	–	MH56WP	MH68D9VWP ^[16]	56/68	
		NQ454L4C									
72 ^[15]	400	NQ472L4	MH62, MH62BE	NC62V ()	NC62V()HR	NC62V()3P	NC62V()3PHR	MH62WP	MH74D9VWP ^[16]	62/74	
		NQ472L4C									
84 ^[15]	400	NQ484L4C	MH68, MH68BE	NC68V ()	NC68V()HR	NC68V()3P	NC68V()3PHR	MH68WP	MH80D9VWP ^[16]	68/80	
		NQ484L4C									
30	600	NQ430L6C	MH50, MH50BE	NC50V ()	NC50V()HR	NC50V()3P	NC50V()3PHR	MH62WP ^[16]	MH62D9VWP ^[16]	50/62	
42		NQ442L6C									
54		NQ454L6C	MH56, MH56BE	NC56V()	NC56V()HR	NC56V()3P	NC56V()3PHR	MH68WP ^[16]	MH68D9VWP ^[16]	56/68	
84 ^[15]		NQ484L6C	MH68, MH68BE	NC68V ()	NC68V()HR	NC68V()3P	NC68V()3PHR	MH80WP ^[16]	MH80D9VWP ^[16]	68/80	

Note: All NQ Merchandised Panelboard interiors include the following: a NQFP15 bag of blank filler plates; a neutral bonding strap; an NQ information manual; a NEMA instruction booklet; and a sheet of circuit numbers.

- [1] DC voltage applications require installation of DC rated QO(B) circuit breakers
- [2] Please note that some local building codes limit panelboards to 42 circuits, including those that reference 2005 or earlier version of NFPA 70.
- [3] Accepts all QO(B) shown in Tables in Sections 7 and 9. Branch circuit breaker trip ampacity cannot exceed panelboard mains rating. 175 A and 200 A circuit breakers may only be installed in single phase 400 A and 600 A NQ Panelboards. Tandem circuit breakers may not be installed.
- [4] "C" suffix indicates copper bussing.
- [5] Enclosure height may increase if accessories including alternate neutral lugs, condo riser neutral assemblies, feed-thru lugs, or sub-feed lugs are installed. 26 in. wide enclosures and trim fronts are required if condo riser neutral assemblies are installed.
- [6] Wall mounting brackets add 0.4 inches to back of MHxxWP enclosures.
- [7] Nominal interior dimensions, see PBA600 for details.
- [8] D9 suffix indicates the 8.75 in. Deep Enclosure required for panelboards with PowerPacT L Main Breaker, Switch, or Sub-Feed Breaker. See PBA604 for dimensional details.
- [9] If Blank End Walls are desired at both ends of NEMA 1 Enclosure, select catalog number with "BE" suffix.
- [10] Add "F" for flush mount, "S" for surface mount.
- [11] Three point latch trim fronts are required for enclosures on panelboards with QO2175, QO2200, QO2175VH, or QO2200VH branch circuit breakers. These breakers take four pole spaces in single phase NQ interior.
- [12] Enclosure includes trim kit. Nominal interior dimensions, see PBA711 for details.
- [13] Vented Type 3R enclosure with three point latch door. Required for outdoor applications with two sub-feed breakers, or sub-feed breaker with trip current >150A. NEMA 3R enclosures must be bottom fed, and a NQ12RDE kit should also be selected. Interior nominal dimensions, see PBA603WP for details.
- [14] For the NQ14-inch-wide panelboard offer, See NQ 14-inch-wide—240 Vac, 48 Vdc.
- [15] Use only if the Local Jurisdiction where this panelboard interior is being applied has adopted the 2008 NFPA 70—National Electrical Code® (NEC®), which allows single panelboard interiors greater than 42 circuits.
- [16] NEMA 3R, 5, or 12 enclosures must be bottom fed, when selected, an NQ12RDE kit should also be selected. See *NQ Merchandised Accessories*, page 9-18

NQ Main Circuit Breaker Interiors—240 Vac, 48 Vdc^[17]

Table 9.4: Main Circuit Breaker Interiors—Will accept plug-on and bolt-on circuit breakers

Circuit Breaker Pole Spaces ^[18]	Main Rating (Amps)	Interior Only Catalog Number (Order Branch Circuit Breakers Separately) ^{[19][20]}	Main Circuit Breaker Adapter Kits (Less Circuit Breaker)			NEMA Type 1 Enclosure, Catalog Numbers ^[21]					Water, Dirt, and Dust Resistant Enclosure Catalog Numbers ^[21] ^[22]		
			Main Circuit Breaker Kit	UL Service Entrance Barrier Kit ^[23]	Circuit Breaker Frame Size ^[24]	Box 20 in. W x 5.75 in. D ^[25] or 8.75 in. D ^[26] ^[27]	Mono-Flat™ Trim Front ^[28]	Hinged Trim Front ^[28]	Mono-Flat™ 3 Point Latch Trim Front ^{[28][29]}	Hinged 3 Point Latch Trim Front ^{[28][29]}	Type 3R/5/12 20 in. Wide x 5.75 in. Deep ^[30]	Vented Type 3R 26 in. Wide x 8.75 in. Deep ^[31]	Ht (In.)
20-inch-wide Cabinet ^[32] —Single Phase 3-Wire													
16 ^[33]	15–100 back-fed	NQ18L1	—	—	Select 2-pole QOB or QOB-VH ^[34]	MH26, MH26BE	NC26()	NC26()HR	—	—	MH26WP	—	26
28 ^[33]		NQ30L1C	—	—		MH32, MH32BE	NC32()	NC32()HR	—	—	MH32WP	—	32
26 ^[33]	110–150 back-fed	NQ30L2	—	—	Select 2-pole QOB-VH ^[34] ^[35]	MH32, MH32BE	NC32()	NC32()HR	—	—	MH32WP	—	32
38 ^[33]		NQ30L2C	—	—		MH38, MH38BE	NC38()	NC38()HR	—	—	MH38WP	—	38
50 ^[33]		NQ42L2	—	—		MH38, MH38BE	NC38()	NC38()HR	—	—	MH38WP	—	38
68 ^[33]		NQ54L2C	—	—		MH44, MH44BE	NC44()	NC44()HR	—	—	MH44WP	—	44
80 ^[33]		NQ72L2C	—	—		MH50, MH50BE	NC50()	NC50()HR	—	—	MH50WP	—	50
84 ^[33]		NQ84L2C	—	—		MH50, MH50BE	NC50()	NC50()HR	—	—	MH50WP	—	50
18	15–100	NQ18L1	NQMB2HJ	NQHQJLLC	HD ^[36] , HG ^[36] , HJ, HL, HR ^[36]	MH38, MH38BE	NC38()	NC38()HR	—	—	MH38WP	—	38
30		NQ30L1C				MH44, MH44BE	NC44()	NC44()HR	—	—	MH44WP	—	44
42	15–225	NQ30L2	NQMB2HJ	NQHQJLLC	HD ^[36] , HG ^[36] , HJ, HL, HR ^[36] , JD, JG, JJ, JL, JR ^[36] , or QB, QD, QG, QJ	MH50, MH50BE	NC50()	NC50()HR	—	—	MH50WP	—	50
72		NQ42L2				MH56, MH56BE	NC56()	NC56()HR	—	—	MH56WP	—	56
84		NQ72L2C				MH62, MH62BE	NC62()	NC62()HR	—	—	MH62WP	—	62
84		NQ84L2C				MH62, MH62BE	NC62V()	NC62V()HR	NC62V()3P	NC62()3PHR	MH62WP	MH62D9VWP	62
30	125–400	NQ30L4	NQMB4LA	NQLALLC	LA/LH ^[37]	MH68, MH68BE	NC68V()	NC68V()HR	NC68V()3P	NC68V()3PHR	MH68WP	MH68D9VWP	68
42		NQ42L4				MH80, MH80BE	NC80V()	NC80V()HR	NC80V()3P	NC80V()3PHR	MH80WP	MH80D9VWP	80
54		NQ54L4C				MH62D9	NC62V()	NC62V()HR	NC62V()3P	NC62V()3PHR	—	Factory Assembled Only	62
84		NQ84L4C				MH68D9	NC68V()	NC68V()HR	NC68V()3P	NC68V()3PHR	—		68
30		NQ30L4C				MH74D9	NC74V()	NC74V()HR	NC74V()3P	NC74V()3PHR	—		74
42		NQ42L4C				MH86D9	NC86V()	NC86V()HR	NC86V()3P	NC86V()3PHR	—		86
54	NQ54L4C	MH68D9	NC68V()	NC68V()HR	NC68V()3P	NC68V()3PHR	—	Factory Assembled Only	62				
84	NQ84L4C	MH68D9	NC68V()	NC68V()HR	NC68V()3P	NC68V()3PHR	—		68				
30	NQ30L6C	MH74D9	NC74V()	NC74V()HR	NC74V()3P	NC74V()3PHR	—		74				
42	NQ42L6C	MH86D9	NC86V()	NC86V()HR	NC86V()3P	NC86V()3PHR	—		86				

[17] DC Voltage applications require installation of DC rated QO(B) circuit breakers.
 [18] Please note that some local building codes limit panelboards to 42 circuits, including those that reference 2005 or earlier version of NFPA 70.
 [19] Accepts all QO(B) shown in Tables in Sections 7 and 9. Branch circuit breaker trip ampacity cannot exceed panelboard mains rating. 175 A and 200 A circuit breakers may only be installed in single phase 400 A and 600 A NQ Panelboards. Tandem circuit breakers may not be installed.
 [20] "C" suffix indicates copper bussing.
 [21] Enclosure height may increase if accessories including alternate neutral lugs, condo riser neutral assemblies, feed-thru lugs, or sub-feed lugs are installed. 26 in. wide enclosures and trim fronts are required if condo riser neutral assemblies are installed.
 [22] Wall mounting brackets add 0.4 inches to back of MHxWP enclosures.
 [23] Please select the appropriate UL Service Entrance Kit for UL Service Entrance applications (see).
 [24] Circuit breaker interrupt ratings, see the table for each circuit breaker range in Section 7.
 [25] Nominal interior dimensions, see PBA600 for details.
 [26] D9 suffix indicates the 8.75 in. Deep Enclosure required for panelboards with PowerPacT L Main Breaker, Switch, or Sub-Feed Breaker. See PBA604 for dimensional details.
 [27] If Blank End Walls are desired at both ends of 5.75" deep NEMA 1 Enclosure, select catalog number with "BE" suffix. Both end walls are blank in 8.75" deep enclosures.
 [28] Replace () with "F" for flush mount, or "S" for surface mount.
 [29] Three point latch trim fronts are required for enclosures on panelboards with QO2175, QO2200, QO2175VH, or QO2200VH branch circuit breakers. These breakers take four pole spaces in single phase NQ interiors.
 [30] Enclosure includes trim kit. Nominal enclosure dimensions, see PBA711 for details.
 [31] Vented Type 3R enclosure with three point latch door. Required for outdoor applications with PowerPacT L main breaker, two sub-feed breakers, or sub-feed breaker with trip current >150 A. NEMA 3R enclosures must be bottom fed. Interior nominal dimensions, see PBA603WP for details.
 [32] For the NQ14-inch-wide panelboard offer, See NQ 14-inch-wide—240 Vac, 48 Vdc, page 9-14.
 [33] Pole spaces shown are available for branch circuits, with spaces deducted for the back-fed main breaker.
 [34] Do not select a back-fed main for panels to be "Suitable for use as UL service equipment." Select a H frame circuit breaker (and associated main circuit breaker kit) from the list for 225 interiors, for panels to be "Suitable for use as UL service equipment."
 [35] QOB2110VH, QOB2125VH, or QOB2150VH take four pole spaces in NQ single phase interior.
 [36] For single phase applications, order a 3-pole breaker. Example: HDL36100.
 [37] Available for 125–400 A applications. Please order short handle circuit breaker (i.e., LAL36400MB).

Table 9.4 Main Circuit Breaker Interiors—Will accept plug-on and bolt-on circuit breakers (cont'd.)

Circuit Breaker Pole Spaces [38]	Main Rating (Amps)	Interior Only Catalog Number (Order Branch Circuit Breakers Separately) [39][40]	Main Circuit Breaker Adapter Kits (Less Circuit Breaker)			NEMA Type 1 Enclosure, Catalog Numbers[41]						Water, Dirt, and Dust Resistant Enclosure Catalog Numbers[41] [42]					
			Main Circuit Breaker Kit	UL Service Entrance Barrier Kit [43]	Circuit Breaker Frame Size[44]	Box 20 in. W x 5.75 in. D[45] or 8.75 in. D[46] [47]	Mono-Flat™ Trim Front [48]	Hinged Trim Front[48]	Mono-Flat™ 3 Point Latch Trim Front [48][49]	Hinged 3 Point Latch Trim Front [48][49]	Type 3R/5/12 20in. Wide x 5.75 in. Deep [50]	Vented Type 3R 26 in. Wide x 8.75 in. Deep[51]	Ht (l-n.)				
20-inch-wide Cabinet[52]—Three Phase 4-Wire																	
15 [53]	15–100 back-fed	NQ418L1	—	—	Select 3-pole QOB or QOB-VH[54]	MH26, MH26BE	NC26 ()	NC26()HR	—	—	MH26WP	—	26				
27 [53]		NQ430L1				MH32, MH32BE	NC32 ()	NC32()HR	—	—	MH32WP	—	32				
24 [53]		NQ430L2C				MH44, MH44BE	NC44 ()	NC44()HR	—	—	MH44WP	—	44				
36 [53]		NQ442L2				MH50, MH50BE	NC50 ()	NC50()HR	—	—	MH50WP	—	50				
48 [53]		NQ454L2				MH56, MH56BE	NC56 ()	NC56()HR	—	—	MH56WP	—	56				
66 [53]		NQ472L2				MH62, MH62BE	NC62 ()	NC62()HR	—	—	MH62WP	—	62				
78 [53]		NQ484L2				MH38, MH38BE	NC38 ()	NC38()HR	—	—	MH38WP	—	38				
18		15–100				NQ418L1	NQMB2HJ	NQHJQLLC	HD HG, HJ, HL, or HR	MH38, MH38BE	NC38 ()	NC38()HR	—	—	MH38WP	—	38
30						NQ430L1				MH44, MH44BE	NC44 ()	NC44()HR	—	—	MH44WP	—	44
42						NQ442L2				MH50, MH50BE	NC50 ()	NC50()HR	—	—	MH50WP	—	50
54	NQ454L2		MH56, MH56BE	NC56 ()	NC56()HR	—				—	MH56WP	—	56				
72	NQ472L2		MH62, MH62BE	NC62 ()	NC62()HR	—				—	MH62WP	—	62				
84	NQ484L2		MH62, MH62BE	NC62 ()	NC62()HR	—				—	MH62WP	—	62				
30	15–225		NQ430L4	NQMB2HJ	NQHJQLLC	HD[56], HG[56], HJ, HL, HR[56], JD, JG, JJ, JL, JR[56]; or QB, QD, QG, QJ				MH68, MH68BE	NC68V ()	NC68V()HR	NC68V()3P	NC68V()3PHR	MH68WP	MH68D9VWP	68
42			NQ442L4							MH74, MH74BE	NC74V ()	NC74V()HR	NC74V()3P	NC74V()3PHR	MH74WP	MH74D9VWP	74
54			NQ454L4							MH80, MH80BE	NC80V ()	NC80V()HR	NC80V()3P	NC80V()3PHR	MH80WP	MH80D9VWP	80
72			NQ472L4							MH86, MH86BE	NC86V ()	NC86V()HR	NC86V()3P	NC86V()3PHR	MH86WP	MH86D9VWP	86
84		NQ484L4	MH62, MH62BE				NC62V ()	NC62V()HR	NC62V()3P	NC62V()3PHR	MH62WP	MH62D9VWP	62				
30		125–400	NQ430L4				NQMB4LA	NQLALLC	LA/LH [57]	MH62, MH62BE	NC62V ()	NC62V()HR	NC62V()3P	NC62V()3PHR	MH62WP	MH62D9VWP	62
42			NQ442L4							MH68, MH68BE	NC68V ()	NC68V()HR	NC68V()3P	NC68V()3PHR	MH68WP	MH68D9VWP	68
54			NQ454L4							MH74, MH74BE	NC74V ()	NC74V()HR	NC74V()3P	NC74V()3PHR	MH74WP	MH74D9VWP	74
72			NQ472L4							MH80, MH80BE	NC80V ()	NC80V()HR	NC80V()3P	NC80V()3PHR	MH80WP	MH80D9VWP	80
84			NQ484L4							MH62, MH62BE	NC62V ()	NC62V()HR	NC62V()3P	NC62V()3PHR	MH62WP	MH62D9VWP	62
30	125–600		NQ430L6C	NQMB6PP-L	NQPPLLLC	LG, LJ, LL				MH62D9[46]	NC62V()	NC62V()HR	NC62V()3P	NC62V()3PHR	—	Factory Assembled Only	62
42			NQ442L6C							MH68D9[46]	NC68V()	NC68V()HR	NC68V()3P	NC68V()3PHR	—	Factory Assembled Only	68
54			NQ454L6C							MH74D9[46]	NC74V()	NC74V()HR	NC74V()3P	NC74V()3PHR	—	Factory Assembled Only	74
72			NQ472L6C							MH80D9[46]	NC80V()	NC80V()HR	NC80V()3P	NC80V()3PHR	—	Factory Assembled Only	80
84			NQ484L6C							MH86D9[46]	NC86V()	NC86V()HR	NC86V()3P	NC86V()3PHR	—	Factory Assembled Only	86
30		125–600	NQ430L6C				NQMB6PP-L	NQPPLLLC	LG, LJ, LL	MH62D9[46]	NC62V()	NC62V()HR	NC62V()3P	NC62V()3PHR	—	Factory Assembled Only	62
42			NQ442L6C							MH68D9[46]	NC68V()	NC68V()HR	NC68V()3P	NC68V()3PHR	—	Factory Assembled Only	68
54			NQ454L6C							MH74D9[46]	NC74V()	NC74V()HR	NC74V()3P	NC74V()3PHR	—	Factory Assembled Only	74
72			NQ472L6C							MH80D9[46]	NC80V()	NC80V()HR	NC80V()3P	NC80V()3PHR	—	Factory Assembled Only	80
84			NQ484L6C							MH86D9[46]	NC86V()	NC86V()HR	NC86V()3P	NC86V()3PHR	—	Factory Assembled Only	86
30	NQ430L6C		MH62D9[46]	NC62V()	NC62V()HR	NC62V()3P				NC62V()3PHR	—	Factory Assembled Only	62				

[38] Please note that some local building codes limit panelboards to 42 circuits, including those that reference 2005 or earlier version of NFPA 70.
 [39] Accepts all QO(B) shown in Tables in Sections 7 and 9. Branch circuit breaker trip ampacity cannot exceed panelboard mains rating. 175 A and 200 A circuit breakers may only be installed in single phase 400 A and 600 A NQ Panelboards. Tandem circuit breakers may not be installed.
 [40] "C" suffix indicates copper bussing.
 [41] Enclosure height may increase if accessories including alternate neutral lugs, condo riser neutral assemblies, feed-thru lugs, or sub-feed lugs are installed. 26 in. wide enclosures and trim fronts are required if condo riser neutral assemblies are installed.
 [42] Wall mounting brackets add 0.4 inches to back of MHxWP enclosures.
 [43] Please select the appropriate UL Service Entrance Kit for UL Service Entrance applications (see).
 [44] Circuit breaker interrupt ratings, see the table for each circuit breaker range in Section 7.
 [45] Nominal interior dimensions, see PBA600 for details.
 [46] D9 suffix indicates the 8.75 in. Deep Enclosure required for panelboards with PowerPac L Main Breaker, Switch, or Sub-Feed Breaker. See PBA604 for dimensional details.
 [47] If Blank End Walls are desired at both ends of 5.75" deep NEMA 1 Enclosure, select catalog number with "BE" suffix. Both end walls are blank in 8.75" deep enclosures.
 [48] Replace () with "F" for flush mount, or "S" for surface mount.
 [49] Three point latch trim fronts are required for enclosures on panelboards with QO2175, QO2200, QO2175VH, or QO2200VH branch circuit breakers. These breakers take four pole spaces in single phase NQ interiors.
 [50] Enclosure includes trim kit. Nominal enclosure dimensions, see PBA711 for details.
 [51] Vented Type 3R enclosure with three point latch door. Required for outdoor applications with PowerPac L main breaker, two sub-feed breakers, or sub-feed breaker with trip current >150 A. NEMA 3R enclosures must be bottom fed. Interior nominal dimensions, see PBA603WP for details.
 [52] For the NQ14-inch-wide panelboard offer, See NQ 14-inch-wide—240 Vac, 48 Vdc.
 [53] Pole spaces shown are available for branch circuits, with spaces deducted for the back-fed main breaker.
 [54] Do not select a back-fed main for panels to be "Suitable for use as UL service equipment." Select a H frame circuit breaker (and associated main circuit breaker kit) from the list for 225 interiors, for panels to be "Suitable for use as UL service equipment."
 [55] QOB2110VH, QOB2125VH, or QOB2150VH take four pole spaces in NQ single phase interior.
 [56] For single phase applications, order a 3-pole breaker. Example: HDL36100.
 [57] Available for 125–400 A applications. Please order short handle circuit breaker (i.e., LAL36400MB).



14-inch wide NQ Panelboard Main Lug



Main Circuit Breaker Panelboard



Main Lug Panelboard

NQ 14-inch-wide—240 Vac, 48 Vdc^[58]

Features

14-inch-wide NQ panelboards are available for those customers whose equipment space is limited. Developed with customer input, Square D™ brand NQ panelboards are built to last, featuring innovations for ease of installation and durability.

- 240 Vac, 48 Vdc maximum
- 225 A maximum main circuit breaker or main lugs
- 100 A maximum branch circuit breakers
- Visi-Trip™ indication on branch circuit breakers
- 10,000–65,000 A Short Circuit Current Rating (SCCR)
- Interiors supplied with silver flashed copper bus as standard
- Interiors accept bolt-on and plug-on branch circuit breakers
- Three-phase, four-wire, and single-phase, three-wire interiors available
- Panelboards available with Mono-Flat™ front
- May be suitable for use as service entrance equipment with neutral bonding kit and main circuit breaker barrier installed
- Branch circuit filler plates provide fast and easy installation
- Both fully and series-rated systems are available

Table 9.5: Main Lug Interiors—Accepts Plug-On and Bolt-On Branch Breakers

Max. Number of Breakers	Main Ratings	Interior Only (Order Branch Circuit Breakers Separately)	NEMA Type 1 Enclosure		
			Box 14 in. W x 5.75 in. Db	Mono Flat Front	Hinged Front
			Cat. No.	Cat. No. [59]	Cat. No.
14-inch-wide Cabinet—Single Phase 3-Wire					
18	100 A	NQ18L1C14	NQB532	NQC32 ()	N/A
30		NQ30L1C14	NQB532	NQC32 ()	N/A
30	225 A	NQ30L2C14	NQB532	NQC32 ()	N/A
42		NQ42L2C14	NQB538	NQC38 ()	N/A
14-inch-wide Cabinet—Three Phase 4-Wire					
18	100 A	NQ418L1C14	NQB532	NQC32 ()	N/A
30		NQ430L1C14	NQB532	NQC32 ()	N/A
30	225 A	NQ430L2C14	NQB532	NQC32 ()	N/A
42		NQ442L2C14	NQB538	NQC38 ()	N/A

Table 9.6: Main Circuit Breaker Interiors—Accepts Plug-On and Bolt-On Branch Breakers

Max. Number of Breakers	Main Ratings	Interior Only (Order Branch Circuit Breakers Separately)	Main Circuit Breaker Kit [60]	UL SE Barrier Kit	Main Circuit Breaker Frame	NEMA Type 1 Enclosure		
						Box 14 in. W x 5.75 in. Db	Mono Flat Front	Hinged Front
						Cat. No. [61]	Cat. No. [59]	Cat. No.
14-inch-wide Cabinet—Single Phase 3-Wire								
16 [62]	100	NQ18L1C14	—	—	Select QOB 2-pole or QOB-VH [60]	NQB532	NQC32 ()	N/A
28 [62]		NQ30L1C14	—	—		NQB532	NQC32 ()	N/A
30	225	NQ30L2C14	NQMB2H-J14 or NQMB2Q14	HJQL-LC	HD, HG, HJ, HL, HR, JD, JG, JJ, JL, QB, QD, QG, QJ	NQB544	NQC44 ()	N/A
42		NQ42L2C14				NQB550	NQC50 ()	N/A
14-inch-wide Cabinet—Three Phase 4-Wire								
15 [62]	100	NQ418L1-C14	—	—	Select QOB 3-pole or QOB-VH [60]	NQB532	NQC32 ()	N/A
27 [62]		NQ430L1-C14	—	—		NQB532	NQC32 ()	N/A
30	225	NQ430L2-C14	NQMB2H-J14 or NQMB2Q14	HJQL-LC	HD, HG, HJ, HL, HR, JD, JG, JJ, JL, QB, QD, QG, QJ	NQB544	NQC44 ()	N/A
42		NQ442L2-C14				NQB550	NQC50 ()	N/A

Table 9.7: NQ Accessories Available on NQ 14" Panelboards

Description	Catalog No.
Equipment Ground Bars	
Aluminum (twenty seven terminations #14 to #4 AWG)	PK27GTA
PK23GTA+ #1 to #4/0 AWG Al or Cu lug	PK23GTAL
Copper (twenty seven terminations #14 to #4 AWG)	PK27GTACU
Ground Bar Insulator Kit	PKGTAB
Handle Attachments—Branch Circuit Breakers	
Handle lock-off	HLO1
Handle tie - (QO and QOB only)	QO1HT
Handle padlock attachment—1-pole	QO1PA
2- and 3-pole	QO1PL
Handle tie and lock-off for three 1-pole (QO, QOB)	QO3HT
Other Accessories	
Filler plates (15 per package)	NQFP15

[58] DC voltage applications require installation of DC rated QO(B) circuit breakers.

[59] Add "F" for flush mount, "S" for surface mount.

[60] Select a Q or H frame circuit breaker, HJQLLC barrier (and associated main circuit breaker kit) from the list for 225 interiors, for panels to be "Suitable for use as UL service equipment."

[61] All 14 in. W boxes come with blank endwalls.

[62] Pole spaces shown are available for branch circuits, with spaces deducted for the back-fed main circuit breaker.

QOB Bolt-On Circuit Breakers with Visi-Trip™ Indicator for NQ Panelboards

NOTE: NQ panelboards also accept QO plug-on circuit breakers, see tables in Section 7, page 9-11 of the Digest. NQ panelboards with 175 or 200 A QO breakers require three point latch trim fronts.^[63]

Table 9.8: QOB-GFI, QOB-EPD, and QOB-EPE Circuit Breakers

Am- pere Rating ^[64]	One-pole	Two-pole—Common Trip	Three-pole—Common Trip	
	Catalog No.	Catalog No.	Catalog No.	Catalog No.
QOB-GFI—QOB Qwik-Gard™ Circuit Breaker With Ground Fault Circuit Interrupter—UL Class A 4–6 mA People Protection. ^[65]				
	120 Vac—10 k AIR ^[66]	120/240 Vac— 10 k AIR ^[66]	208Y/120 Vac— 10 k AIR	
15 A	QOB115GFI	QOB215GFI	QOB315GFI	
20 A	QOB120GFI	QOB220GFI	QOB320GFI	
25 A	QOB125GFI	QOB225GFI	—	
30 A	QOB130GFI	QOB230GFI	QOB330GFI	
40 A	—	QOB240GFI	QOB340GFI	
50 A	—	QOB250GFI	QOB350GFI	
60 A	—	QOB260GFI ^[67]	—	
QOB-VHGF ^[68]				
	120 Vac—22 k AIR ^[66]			
15 A	QOB115VHGF			
20 A	QOB120VHGF			
25 A	QOB125VHGF			
30 A	QOB130VHGF			
QOB-EPD—QOB Equipment protection circuit breakers with UL Listed 30 mA (EPD) or 100 mA (EPE) equipment protection.				
	120 Vac—10 k AIR ^[66]	120/240 Vac— 10 k AIR ^[66]	240 Vac—10 k AIR ^[66]	
15 A	QOB115EPD	QOB215EPD	QOB315EPD	QOB315EPE
20 A	QOB120EPD	QOB220EPD	QOB320EPD	QOB320EPE
25 A	QOB125EPD	QOB225EPD	—	—
30 A	QOB130EPD	QOB230EPD	QOB330EPD	QOB330EPE
40 A	—	QOB240EPD	QOB340EPD	QOB340EPE
50 A	—	QOB250EPD	QOB350EPD	QOB350EPE
60 A	—	QOB260EPD	—	—
QOB-VHEPD				
	120 Vac—22 k AIR ^[66]			
15 A	QOB115VHEPD			
20 A	QOB120VHEPD			
25 A	QOB125VHEPD			
30 A	QOB130VHEPD			
QOB-HM—High magnetic trip circuit breakers				
15 A	QOB115HM ^[69]			
20 A	QOB120HM ^[69]			
QOB-K—Key operated QOB circuit breakers ^[70]				
	120 Vac—10 k AIR ^[66]			
10 A	QOB110K			
15 A	QOB115K			
20 A	QOB120K			
25 A	QOB125K			
30 A	QOB130K			

^[63] For QO plug-on circuit breakers, see the tables starting on Section 7, page 9-11 of the Digest.

^[64] 10–30 A circuit breakers are suitable for use with 60 °C or 75 °C conductors. 35–60 A circuit breakers are suitable for use with 75 °C conductors.

^[65] Do not connect to more than 250 feet of load conductor for the total one-way run to prevent nuisance tripping.

^[66] May be applied in 208Y/120 Vac systems.

^[67] Suitable only for feeding 240 Vac and 208 Vac two-wire loads. Does not contain load neutral connection.

^[68] Recommended for applications where high initial inrush may occur and for individual dimmer applications.

^[69] UL Listed as SWD (switching duty) rated suitable for switching 120 Vac fluorescent lighting loads.

^[70] Available in single pole construction and can be mounted in any single pole space which will accept a standard QOB. These circuit breakers can be turned ON or OFF or RESET with a special key (Catalog No. QOK10) included with the circuit breaker. These circuit breakers are UL Listed and available as shown in the table.

Table 9.9: Standard Interrupting QOB 10,000 AIR Circuit Breakers

Ampere Rating [71]	One-pole	Two-pole—Common Trip	Two-pole—Common Trip [72]	Three-pole—Common Trip
	Catalog No.	Catalog No.	Catalog No.	Catalog No.
QOB Bolt-On				
	120 Vac—10 k AIR 48 Vdc—5 k AIR[73]	120/240 Vac—10 k AIR 48 Vdc—5 k AIR [74] [73]	240 Vac— 10 k AIR[73]	240 Vac—10 k AIR 48 Vdc—5 k AIR [74] [73]
10 A	QOB110	QOB210	—	QOB310
15 A	QOB115[75][76]	QOB215[76]	QOB215H	QOB315[76]
20 A	QOB120[75][76]	QOB220[76]	QOB220H	QOB320[76]
25 A	QOB125[76]	QOB225[76]	QOB225H	QOB325[76]
30 A	QOB130[76]	QOB230[76]	QOB230H	QOB330[76]
35 A	QOB135[76]	QOB235[76]	—	QOB335[76]
40 A	QOB140[76]	QOB240[76]	QOB240H	QOB340[76]
45 A	QOB145[76]	QOB245[76]	—	QOB345[76]
50 A	QOB150[76]	QOB250[76]	QOB250H	QOB350[76]
60 A	QOB160[76]	QOB260[76]	QOB260H	QOB360[76]
70 A	QOB170[76]	QOB270[76]	QOB270H	QOB370[76][74]
80 A	—	QOB280[76] [74]	QOB280H	QOB380[76][74]
90 A	—	QOB290[76] [74]	QOB290H	QOB390[76] [74]
100 A	—	QOB2100[76] [74]	QOB2100H	QOB3100[76] [74]
110 A	—	QOB2110[76] [74]	—	—
125 A	—	QOB2125[76] [74]	—	—
Molded Case Switch 60 A max—240 Vac	—	QOB200	—	QOB300
Molded Case Switch 100 A max—240 Vac	—	QOB2000	—	QOB3000

Table 9.10: High Interrupting QOB and Specialty Circuit Breakers[71]

Ampere Rating [71]	One-pole	Two-pole—Common Trip	Three-pole—Common Trip
	Catalog No.	Catalog No.	Catalog No.
QOB-VH			
	120 Vac—22 k AIR[73]	120/240 Vac —22 k AIR[73]	240 Vac—22 k AIR[73]
15 A	QOB115VH[75][76]	QOB215VH[76]	QOB315VH[76]
20 A	QOB120VH [75][76]	QOB220VH[76]	QOB320VH[76]
25 A	QOB125VH[76]	QOB225VH[76]	QOB325VH[76]
30 A	QOB130VH[76]	QOB230VH[76]	QOB330VH[76]
40 A	QOB140VH	QOB240VH[76]	QOB340VH[76]
50 A	QOB150VH	QOB250VH[76]	QOB350VH[76]
60 A	QOB160VH	QOB260VH[76]	QOB360VH[76]
70 A	QOB170VH	QOB270VH[76]	QOB370VH[76]
80 A	—	QOB280VH[76]	QOB380VH[76]
90 A	—	QOB290VH[76]	QOB390VH[76]
100 A	—	QOB2100VH[76]	QOB3100VH[76]
110 A	—	QOB2110VH[76]	QOB3110VH [77]
125 A	—	QOB2125VH[76]	QOB3125VH [77]
150 A	—	QOB2150VH [77]	QOB3150VH [77]
QHB			
	120 Vac—65 k AIR[73]	120 Vac/240 Vac—65 k AIR [73]	240 Vac—65 k AIR[73]
15 A	QHB115 [75]	QHB215[76]	QHB315[76]
20 A	QHB120 [75]	QHB220[76]	QHB320[76]
25 A	QHB125[76]	QHB225[76]	QHB325[76]
30 A	QHB130[76]	QHB230[76]	QHB330[76]
QOB-HID—HID circuit breakers [78]			
	120 Vac—10 k AIR[73]	120/240 Vac—10 k AIR[73]	240 Vac—10 k AIR[73]
15 A	QOB115HID [75]	QOB215HID	QOB315HID
20 A	QOB120HID [75]	QOB220HID	QOB320HID
25 A	QOB125HID	QOB225HID	QOB325HID
30 A	QOB130HID	QOB230HID	QOB330HID
40 A	QOB140HID	QOB240HID	—
50 A	QOB150HID	QOB250HID	—
QOB-SWN—Switch Neutral—Common Trip—NEC 514.11			
		1-pole—2-Wire 2 Spaces —120 Vac[73]	2-pole—3-Wire 3 Spaces—120/240 Vac[73]
10 A	—	QOB210SWN	QOB310SWN
15 A	—	QOB215SWN	QOB315SWN
20 A	—	QOB220SWN	QOB320SWN
25 A	—	QOB225SWN	QOB325SWN
30 A	—	QOB230SWN	QOB330SWN
40 A	—	QOB240SWN	QOB340SWN
50 A	—	QOB250SWN	QOB350SWN

[71] 10–30 A circuit breakers are suitable for use with 60°C or 75°C conductors. 35–60 A circuit breakers are suitable for use with 75°C conductors.

[72] UL Listed 5,000 AIR on 3Ø corner grounded delta systems.

[73] May be applied in 208Y/120 Vac systems.

[74] DC Rating is not available on indicated products.

[75] UL Listed as SWD (switching duty) rated suitable for switching 120 Vac fluorescent lighting loads.

[76] UL Listed as HACR type for use with air conditioning, heating, and refrigeration equipment having motor group combinations and marked for use with HACR type circuit breakers.

[77] QOB2150VH uses 4 pole spaces. QOB3110VH, QOB3125VH, and QOB3150VH each use 6 pole spaces. 40A maximum circuit breaker mounted opposite. Use with 75 °C wire only.

[78] UL Listed for use on circuit feeding fluorescent and High Intensity Discharge (HID) lighting systems such as mercury vapor, metal halide, or high pressure sodium. These circuit breakers are physically interchangeable with QOB circuit breakers.

Table 9.11: QO/QOB Circuit Breaker Wire Sizes

Breaker Type	Ampere Rating	Wire Size (AWG or kcmil)	
		Al	Cu
QOB 1-pole	10–30 A	#14–8	#14–8
	10–30 A	—	two #14–10
	35–70 A	#8–2	#8–2
QOB 2-pole	10–30 A	#14–8	#14–8
	10–30 A	—	two #14–10
	35–70 A	#8–2	#8–2
	80–125 A	#4–2/0	#4–2/0
	150–200 A	#4–300	#4–300
QOB 3-pole	10–30 A	#14–8	#14–8
	35–70 A	#8–2	#8–2
	80–125 A	#4–2/0	#4–2/0
QOB-VH	110–150 A	#4–300	#4–300
QOB-GFI and QOB-EPD	15–30 A	#12–8	#14–8
	40, 50, or 60 A	#12–4	#14–6

Table 9.12: QO™ Arc-Fault and Dual Function Circuit Breakers [79][80][81]

Circuit Breaker Type	Ampere Rating [81]	1P 120 Vac 10 kAIR 1 Space Required	1P 120 Vac 22 kAIR 1 Space Required	2P 240 Vac 10 kAIR 2 Space Required	2P 240 Vac 22 kAIR 2 Space Required
		Catalog Number	Catalog Number	Catalog Number	Catalog Number
Combination Arc-Fault Interrupter	15 A	QOB115CAFI	QOB115VHCAFI	QOB215CAFI	QOB215VHCAFI
	20 A	QOB120CAFI	QOB120VHCAFI	QOB220CAFI	QOB220VHCAFI
Dual Function: Arc-Fault and Ground Fault	15 A	QOB115DF	QOB115VHDF	Use plug-on QO 2-pole dual function MCBs	
	20 A	QOB120DF	QOB120VHDF		

NOTE: For accessories, see Accessories for QO/QOB Circuit Breakers, in Section 7.

Single Phase 400 or 600 A NQ Panelboards now accept 150, 175, and 200 A Two Pole QO Plug-on Branch Circuit Breakers.

Each breaker takes four pole spaces. Installation into three phase interiors is not allowed as it may create a phase to phase short circuit.

One NQ200AN neutral lug kit should be installed for each pair of 175 or 200 A QO breakers if a neutral termination is required.

- One Q1150AN lug kit should be installed for each 110 to 150 A QO(B) circuit breaker, if a neutral termination is required.

Table 9.13: High Ampacity Plug-on Two Pole QO Branch Circuit Breakers

Catalog Number	Ampere Rating	AIC Rating
QO2150	150	10 kA
QO2150VH	150	22 kA
QO2175	175	10 kA
QO2200	200	
QO2175VH	175	22 kA
QO2200VH	200	

NOTE: May only be installed on Single Phase 400 or 600 A NQ Panelboards with three point latch trim fronts.

A maximum of four 150, 175, or 200 A QO (VH) plug-on branch circuit breakers may be installed in NEMA 1 enclosures. These enclosures require NCxxV()3P three point latch trim fronts, as listed in Table 9.3 Main Lug Interiors, page 9-7 or Main Circuit Breaker Interiors, page 9-8.

One 150, 175, or 200 A QO (VH) plug-on branch circuit breaker may be installed in 8.75 in. deep MHxxD9VWP NEMA 3R enclosures, as listed in Table 9.3 Main Lug Interiors, page 9-7 or Main Circuit Breaker Interiors, page 9-8.

[79] UL Listed as HACR type for use with air conditioning, heating, and refrigeration equipment having motor group combinations and marked for use with HACR type circuit breakers.
 [80] QO arc-fault circuit breakers provide branch feeder protection (for example, QO115AFI) or combination protection (for example, QO115CAFI) as required by the NEC and local code adoption, and comply with UL 1699.
 [81] 10–30 A circuit breakers are suitable for use with 60°C or 75°C conductors. 35–60 A circuit breakers are suitable for use with 75°C conductors.

Factory Assembled Main Circuit Breakers

400 A and 600 A panelboards, 1Ø or 3Ø

Table 9.14: NQ Panelboard Factory Assembled Interiors - 240 Vac / 48 Vdc Max

Single Phase or Three Phase						
Mains Rating (Amps)			Max. Number of One-Pole Circuit Breakers	Bus Material	Min. Box Depth	
Main Lugs Only	Main Circuit Breaker ^[82]	Main Switch ^[82]			Main Lugs Only	Main Circuit Breaker / Switch
100 Max	15–100	70–100	18, 30	Al, Cu	5.75 in.	5.75 in.
225 Max	15–250	110–250	30, 42, 54, 72, 84	Al, Cu	5.75 in.	5.75 in.
400 Max	125–400	300–400	30, 42, 54, 72 ^[83] , 84 ^[84]	Al, Cu	5.75 in.	5.75 in. / 8.75 in. ^[85]
600 Max	125–600	450–600	30, 42, 54, 72 ^[83] , 84	Cu	5.75 in.	8.75 in. ^[85]

Table 9.15: Main Circuit Breaker (PowerPacT L-frame - see PowerPacT Interrupting Ratings, and Common Catalog Numbering System, in Section 7)

Number of Poles	Trip Unit Options	Frame Sizes	Ampacity
3	LI, LSI, Switch	LG, LJ, LL	125–600 A

LA/LH PowerPacT H, J, and Q-frame circuit breakers are also available - see and Supplemental Digest Section 3.

Table 9.16: PowerPacT L Main Circuit Breaker Cabinet Height (inches)

Max. No. of Branch Spaces (Does not include sub-feed circuit breaker spaces)	NEMA 1 Enclosure (20 in. W x 8.75 in. D) ^[85]	Vented NEMA 3R Enclosure (26 in. W x 8.75 in. D) ^[86]	
	400 or 600 A	400 A	600 A
30	62	62	68
42	68	68	74
54	74	74	80
72	80	–	–
84	86	–	–

Sub-feed Circuit Breakers

Main lugs or main circuit breaker interior—1Ø or 3Ø.

Maximum 1 circuit breaker per 225 A main lug or 250 A main circuit breaker panelboard, 2 PowerPacT H-, J-, or Q-frame sub-feed circuit breakers may be installed on a 400–600 A panelboard.

Panelboards in MHxxWP NEMA Type 3R/5/12 enclosures are limited to one 150 A maximum sub-feed breaker.

- Panelboards in vented MHxxD9VWP NEMA 3R enclosures may have two 225 A maximum sub-feed circuit breakers. A single 600 A maximum sub-feed circuit breaker may be factory installed in these new enclosures.

Table 9.17: Sub-feed Circuit Breakers for NQ Panelboards^[87]

Interior Rating	Sub Feed Circuit Breakers ^[87]			Space Factor
	Ampacity	Poles	MCCB Frame	
225 A	70–225	2 or 3	QB, QD, QG, QJ	18 in.
	110–150	2 or 3	HD, HG, HJ, HL, HR ^[88]	
	150–225	2 or 3	JD, JG, JJ, JL, JR ^[89]	
400 A / 600 A	70–225	2 or 3	QB, QD, QG, QJ ^[90]	24 in.
	110–150	2 or 3	HD, HG, HJ, HL, HR ^[88] ; ^[90]	
	150–225	2 or 3	JD, JG, JJ, JL, JR ^[89] ; ^[90]	
	125–400	2 or 3	LA / LH	
	125–600	3	LG, LJ, LL	18 in. ^[92]

PowerPacT H, J, & L frame circuit breakers are also available - see Tables PowerPacT Interrupting Ratings, and Common Catalog Numbering System, Section 7.

^[82] Factory Assembled Interiors are rated for trip current of Main Breaker / Switch.

^[83] Three Phase only.

^[84] Copper only.

^[85] D9 8.75 in. deep enclosures are required for PowerPacT L Main Circuit Breaker, Switch, or Sub-Feed Circuit Breaker. Reference PBA713x drawing for more dimensional information, where x may be A, HR, HRT, or T depending upon the choice of options and enclosure.

^[86] Feed-thru lugs and compression lugs available factory assembled only. These add 6 - 12 inches to enclosure length. Please reference PBA755 or PBA755T for more complete dimensional information, where x may be A, HR, HRT, or T depending upon the choice of options and enclosure.

^[87] See Digest Section 7 for Interrupting Ratings and Catalog Numbers of PowerPacT H-, J-, L-, Q- and LA/LH frame MCCBs.

^[88] Three pole HD, HG, HR MCCBs are installed for single phase sub-feed circuit breaker applications.

^[89] Three pole JR MCCBs are installed for single phase sub-feed circuit breaker applications.

^[90] One or two sub-feed circuit breakers may be selected.

^[91] NQ Panelboards with LA or LH sub-feed circuit breaker and LG, LJ, or LL main circuit breaker are supplied with 26 in. wide, 8.75 in. deep enclosures and have Condo Riser neutral assemblies.

^[92] Space Factor for LG, LJ, or LL is 24 in. when it is installed onto a main circuit breaker panelboard or a main lugs panelboard with a Condo Riser neutral assembly. These panelboards are supplied with 26 in. wide, 8.75 in. deep enclosures and have Condo Riser neutral assemblies.

Table 9.18: PowerPacT H, J, or Q-frame Sub-feed Circuit Breaker Cabinet Height (inches)^[93]

Max. No. of Branch Circuit Spaces (not including sub-feed circuit breaker)	Mains Type and Maximum Current Rating				
	225 A Main Lugs ^[94]	250 A Main Circuit Breaker ^[95]	400 / 600 A Main Lugs ^[96]	400 A LA/LH Main Circuit Breaker ^[97]	400 / 600 A LG/LJ/LL Main Circuit Breaker ^[98]
30	50	62	74	86	86
42	56	68	74	86	86
54	62	74	80	92	—
72	68	80	86	—	—
84	74	86	92	—	—

Table 9.19: PowerPacT LG, LJ, or LL Sub-feed Circuit Breaker Cabinet Height (inches)^[99]

Max. No. of Branch Spaces (Does not include sub-feed circuit breaker spaces)	NEMA 1 D9 Enclosure (8.75-in. D) ^[100]			Vented NEMA 3R Enclosure Height (26-in. W x 8.75-in. D)			
	20-in. Wide		26-in. Wide	Main Lugs	Main Circuit Breaker ^[100]		
	Main Lugs	LA / LH Main Circuit Breaker	LG / LJ / LL ^[100]		LA / LH	400A PP-L	600A PP-L
		Main Breaker	—				
30	68	80	80	74	74	86	92
42	68	80	86	74	80	86	92
54	74	86	92	80	86	92	—
72	80	92	—	—	—	—	—
84	86	—	—	—	—	—	—

Table 9.20: Weather and Dust Resistant Enclosures—Type 3R, 4, 4X, 5, 12

Weatherproof or Dusttight Cabinets

NOTE: NQ panelboards with PowerPacT L circuit breakers are not available with a NEMA Type 4, 4X, 5, or 12 enclosure. (Use I-Line).

NQ panelboards with PowerPacT L circuit breakers are available with vented 26 in. wide NEMA 3R enclosures. These vented NEMA 3R enclosures also enable selection of subfeed circuit breakers up to 600 A.

400 A maximum NQ panelboards in NEMA 4, 4X, 5, or 12 enclosures are available with one subfeed breaker up to 150 A.



NQ MLO Panelboard in Vented NEMA 3R enclosure with 600 A Sub-Feed Circuit Breaker

Table 9.21: Optional Factory Assembled Lugs for Main Lugs Only and Main Circuit Breaker Interiors

Incoming Lug Type:

- Aluminum Compression Lugs
- Copper Mechanical Lugs
- Copper Compression Lugs

NOTE: Optional lugs are not available for Q frame main or QOB circuit breakers.

Sub-feed Lugs

NOTE: Available on main lug interiors only, 1Ø or 3Ø.

Table 9.22: Sub-feed Lug Wire Range Per Phase (AWG or kcmil)

Mains Rating	Incoming	Outgoing
100	one #6-2/0 Al or Cu	one #6-2/0 Al or Cu
225	one 1/0-350 kcmil Al or Cu	one 1/0-350 kcmil Al or Cu
400	one 1/0-750 kcmil Cu only	one 1/0-750 kcmil Cu only

Table 9.23: Sub-feed Lug Cabinet Data

Max. No. of Branch Spaces	Box Height (20 in. W x 5.75 in. D)		
	100 A	225 A	400 A
18	MH26	—	—
30	MH32	MH38	MH50
42	—	MH44	MH50
54	—	MH44	MH50
72	—	MH50	MH62
84	—	MH56	MH68

^[93] Bottom feed only in NEMA Type 3R enclosures. NEMA 3R applications with sub-feed circuit breakers greater than 150A require 8.75 in. deep, 26 in. wide enclosure - reference PBA603WP.
^[94] Reference PBA701x drawing for more dimensional information. PBA701x - x may be A, E, HR, HRT, or T, depending upon choice of options and trim front.
^[95] Reference PBA707x drawing for more dimensional information. PBA707x - x may be A, E, HR, HRT, or T, depending upon choice of options and trim front.
^[96] Reference PBA709x drawing for more dimensional information. Bottom feed only in NEMA Type 3R enclosures. NEMA 3R applications with sub-feed circuit breakers greater than 150A require 8.75 in. deep, 26 in. wide enclosure - reference PBA603WP. PBA709x - x may be A, E, HR, HRT, or T, depending upon choice of options and trim front.
^[97] Reference PBA710x drawing for more dimensional information. Bottom feed only in NEMA Type 3R enclosures. NEMA 3R applications with sub-feed circuit breakers greater than 150 A require 8.75 in. deep, 26 in. wide enclosure - reference PBA603WP. PBA710x - x may be A, E, HR, HRT, or T depending upon choices of options and trim front.
^[98] LG, LJ, or LL Main Circuit Breaker requires D9 8.75 in. enclosure. Reference PBA713x or PBA755x drawing for more dimensional information. PBA###x - x may be A, E, HR, HRT, or T, depending upon choice of options and enclosure.
^[99] Feed-thru lugs and compression lugs available factory assembled only. These add 6 - 12 inches to enclosure length.
^[100] NQ Panelboards with PowerPacT L Main Circuit Breaker and PowerPacT L Sub-Feed Circuit Breaker are supplied with Condo Riser Neutral Assemblies, and require 26 in. wide, 8.75 in. deep enclosures.

Feed-through Lugs

Table 9.24: Feed-through Lugs

Mains Rating	Feed-Through Wire Range Per Phase (AWG or kcmil)
100 A	one #6-2/0 Al or Cu
225 A	one #6-350 Al or Cu
400 A	one 1/0-750 or two 1/0-350 Al or Cu
600 A	two 1/0-750 Al or Cu

Table 9.25: Feed-through Lugs Cabinet Data

Max. No. of Branch Spaces	Box Height (20 in. W x 5.75 in. D)					
	225 A		250 A		400 A	
	Main Lugs	Main Circuit Breaker	Main Lugs	Main Circuit Breaker	Main Lugs	Main Circuit Breaker [101]
30	38	50	50	62	62	68
42	38	50	56	68	62	80
72	50	62	68	80	74	—
84	56	68	68	80	80	—

Table 9.26: Name Plates

Name Plates
Standard white face/black letter laminated bakelite, 1 in. x 3.5 in., adhesive backed or screw mountable with screws in a bag assembly

Table 9.27: Copper Bus Bars

Copper Bus Bars
100 A, 225 A, 250 A
400 A
600 A

Table 9.28: NQ Panelboard Neutral Assembly Options

Interior Rating	Without Sub-Feed or Thru-Feed Lugs				With Sub-Feed or Thru-Feed Lugs			
	100% Neutrals		200% Neutrals		100% Neutrals		200% Neutrals	
	Aluminum	Copper	Aluminum	Copper	Aluminum	Copper	Aluminum	Copper
100 A	Standard	NQN1CU	NQNL1	Factory Assembled Only	Standard	NQN1CU	NQNL1	Factory Assembled Only
225 A		NQN2CU	NQNL2			NQN2CU	NQNL2ACCY	
400 A		NQN6CU	NQNL4			NQN6CU	FA Only [102]	
600 A [103]			Not Available				Not Available	

Table 9.29: NQ Main 100% and 200% Rated Neutral Conductors—(Quantity) and Wire Size (Mechanical Lugs & Compression Lugs) [104]

Interior Rating	Lug Material	Mechanical Neutral Line Lugs						Compression Neutral Line Lugs	
		100% Rated			200% Rated [105]			100% Rated	200% Rated [105]
		Standard Neutral Assemblies	Oversized Neutral Assemblies	Space Factor	Standard Neutral Assemblies	Oversized Neutral Assemblies	Space Factor	Lug Wire Range	Lug Wire Range
100 A	Al Cu	(1) #6-2/0	select 225 A neutral assembly	N/A	(2) #6-2/0	select 225 A neutral assembly	N/A	(1) #6-2/0	(1) #6-2/0
225 A	Al	(1) #6-300 kcmil [106]	select 400 A neutral assembly	N/A	(2) #6-350 kcmil	select 400 A neutral assembly	N/A	(1) #4-300 kcmil	(2) #1/0-300
	Cu	(1) #6-250 kcmil						(2) #2/0-300 kcmil	(2) #2/0-300 kcmil
400 A	Al	(2) 1/0-300 kcmil or (1) 1/0-700 kcmil [107]	(2) 1/0-750 kcmil or (4) 1/0-300 kcmil	6	(4) 1/0-300 kcmil or (2) 1/0-700 kcmil [107]	(4) 1/0-750 kcmil or (8) 1/0-300 kcmil	6	(2) 2/0-500 kcmil	(4) 2/0-500 kcmil
	Cu							(2) 400-750 kcmil	(2) 400-750 kcmil
600 A	Al	(4) 1/0-300 kcmil or (2) 1/0-700 kcmil [107]	(4) 1/0-700 kcmil [107] or (8) 1/0-300 kcmil	6	N/A	N/A	N/A	(2) 2/0-500 kcmil	N/A
	Cu							N/A	N/A
600 A (with NQALMN6 or NQCUMN6)	Al Cu	N/A	(6) 1/0-750 kcmil or (4) 1/0-300 kcmil and (4) 1/0-750 kcmil	12	N/A	N/A	N/A	N/A	N/A

NOTE: Implicit AWG (American Wire Gauge) abbreviation on conductors wire range (kcmil is shown). Gutter extensions may be required to provide NEC wire bending space for cable(s) of maximum lug size.

Table 9.30: NQ Panelboard Condo Riser Neutral Panelboards (Requires 26 in. Wide Enclosure) [108]



600 A NQ Main Breaker Panelboard with Condo Riser Neutral Assembly

Interior Rating	Maximum Branch Circuits	Neutral Rating	Neutral Assembly	Mains Options			Load End Options		Minimum Enclosure Depth	Space Factor (inches) [109]
				Main Lugs	Main Circuit Breaker	Sub-Feed Lugs	Feed-Thru Lugs	Sub-Feed Breaker		
400 / 600 A	42	100%	NQN6CRUS	Y	LA / LH	N/A	Y	H, J, Q, LA / LH	5.75-in.	12
		200%	NQNL6CRUS							
	72 [110]	100%	NFN6CR	Y	LA, LG, LH, LJ, LL	Y	Y	Y	8.75-in.	0-12
		200%	NFNL6CR							

[101] 8.75 in. deep box, ship fully assembled only.

[102] FA - Factory Assembled Panelboards

[103] 600 A main circuit breaker panelboards with PowerPacT L sub-feed circuit breakers are supplied with Condo Riser Neutral Assemblies and require 26 in. wide, 8.75 in. deep enclosures.

[104] Lug Wire Ranges shown meet NEC wire bending space. Lugs may accept larger cables if enclosure size is increased.

[105] 200% Neutrals not available on Column Width interiors.

[106] Installation of 350 kcmil neutral conductors possible if enclosure is extended to increase wire bending space.

[107] Installation of 750 kcmil neutral conductors possible if enclosure is extended to increase wire bending space.

[108] Select 26 in. Wide Condo Riser Panel under Structure Options in the SE Advantage Panelboard Product Selector.

[109] Space factor is the additional enclosure length required for selected option. Additional required length may be reduced or eliminated if load end options like feed-thru lugs or sub-feed circuit breakers require a space factor of at least 12 inches.

[110] May be used with a 84 circuit interior when a SurgeLoc SPD is installed. No more than 72 branch circuit breaker poles may be installed.

Table 9.31: Metal Directory Frames

Metal Directory Frame
Replaces standard plastic stick-on directory pouch, add "WMD" suffix to NC Trim catalog number.

Table 9.32: NQ Equipment Ground Bar Kits^[111]

Interior Rating	Aluminum	Copper	Ground Bar Insulator Kit
100 A / 225 A	PK12GTA, PK18GTA, PK23GTA, or PK27GTA	PK27GTACU	PKGTAB
400 A / 600 A	PK12GTA, PK27GTA	PK27GTACU	PKGTAB

Table 9.33: Hinged Door-in-Door Trim Fronts

Hinged Door-in-Door Trim Front
Hinged Door-in-Door Trim Front has piano hinge down one side. Inner door has a lock, outer door is retained with screws
Hinged Door-in-Door Trim Fronts with Outer Door Lock in place of screws are available as a factory assembled option.

NQ with Surge Protective Devices

Table 9.34: SurgeLogic™ SurgeLoc Plug-On SPD^[112]

Surge Current Rating kA
80 kA
100 kA
120 kA
160 kA
200 kA
240 kA

Table 9.35: SurgeLogic SPD Features

Description
Surge Counter
Dry Contacts
Remote Monitor

NOTE: Additional factory modifications, see [Modifications For Factory Assembled Panelboards](#), page .

[111] One PK kit supplied when ground bar is specified. Two PK kits supplied when "extra" ground bar is ordered.

[112] Please reference publication 998-21173700_GMA-US for additional information.

NQ Merchandised Accessories

Table 9.36: NQ Merchandised Neutral Assemblies

Mains Rating (Amps)	200% Neutral Kit		Copper 100% Neutral Kit	
	Catalog No.	Space Factor	Catalog No.	Space Factor
100	NQNL1	0	NQN1CU	0
225	NQNL2	0	NQN2CU	0
225	NQNL2ACCY ^[113]	6		
400	NQNL4 ^[114]	0	NQN6CU	0
600	—	0		

Table 9.37: NQ Merchandised Sub-feed Lugs, Feed-through Lugs, and Sub-feed Breaker Kits

Mains Rating	Sub-feed Lugs Catalog Number	Feed-through Lugs Catalog Number	Sub-feed Circuit Breaker Kits (breaker not incl.)	
			Single SFB	Two SFBs
100 A	NQSFL1	100 A not available; use 225 A interior	—	—
225 A	NQSFL2	NQFTL2L ^[115]	NQSFB2Q or NQSFB2HJ ^[116]	—
		NQFTL2H ^[117]		
400 A	NQSFL4	NQFTL4L ^[115]	NQSFB4Q or NQSFB4HJ or NQMB6PPL ^[118] ^[116]	NQSFB4Q or NQSFB4HJ
		NQFTL4H ^[117]		
600 A	Not Available	Factory Assembled Only	NQSFB6PPL ^[118] or NQMB6PPL	Factory Assembled Only

NOTE: See Table 9.38 and Table 9.39.

Table 9.38: Box Selection Table: Merchandised NQ Main Lug Panelboards with Accessories

Feature Circuits	Sub-feed Lugs				Feed-through Lugs				Sub-feed Circuit Breakers				
	100 A	225 A	400 A	600 A	100 A	225 A	400 A	600 A	100 A	225 A (one)	400 A (two)	400 A / 600 A (one)	600 A (two)
18	MH26	—	—	Factory Assembled Only	Use 225 A Interior	—	—	Factory Assembled Only	—	—	—	—	Factory Assembled Only
30	MH32	MH38	MH50			MH38	MH50		—	MH50	MH74	MH62D9	
42	—	MH44	MH50			MH38	MH56		—	MH56	MH74	MH62D9	
54	—	MH44	MH56			MH44	MH62		—	MH56	MH80	MH68D9	
72	—	MH50	MH62			MH50	MH68		—	MH62	MH86	—	
84	—	MH56	MH68			MH56	MH68		—	MH68	MH92	—	

Table 9.39: Box Selection Table: Merchandised NQ Vertically Mounted Main Breaker Panelboards w/ Accessories (by Mains Rating)

Feature Circuits	Feed-through Lugs				PowerPacT H, J, or Q Sub-feed Circuit Breakers (Max Amp and Qty)					
	100 A	225 A	400 A		600 A	100 A	225 A (one)	400 A (two SFB)		600 A (two SFB)
			LA / LH MB	PowerPacT L MB				LA / LH MB	PowerPacT L MB	
18	—	—	—	—	—	—	—	—	—	—
30	—	—	—	—	Factory Assembled Only	—	MH62	MH86	MH86D9	Factory Assembled Only
42	—	MH50	MH62	MH68D9		—	MH68	MH92	—	
54	—	MH56	MH74	MH74D9		—	MH74	^[119]	—	
72	—	MH62	MH80	MH80D9		—	MH80	^[119]	—	
84	—	MH68	MH80	MH86D9		—	MH80	^[119]	—	

Table 9.40: NQ Optional Lugs

Ampacity	Al Compression Lug Kit		Cu Mechanical Lug Kit		Cu Compression Kit	
	Catalog No.	Lug Wire Range (AWG-kcmil)	Catalog No.	Lug Wire Range (AWG-kcmil)	Catalog No.	Lug Wire Range (AWG-kcmil)
100	NQALV1	one #8-1/0	NQCUM1	one #6-2/0	NQCUV1	one #6-1/0
225	NQALV2	one #4-300	NQCUM2	one #6-250	NQCUV2	one 2/0-300
400	NQALV4	two 2/0-500	NQCUM4	one 1/0-750 or two 1/0-350	NQCUV4	one 400-700
600	NQALV6	two 2/0-500	NQCUM6		NQCUV6	two 250-500

Panelboard Interior Ampacity	Branch Circuit Pole Spaces	Neutral Terminations in NQ Panelboards ^[120]				Add-on Neutral Lug Capacity in Merchandised NQ Panelboards ^[121]			
		Branch Circuit Terminals Provided in Neutral Assembly (AWG or kcmil)				NQ100AN ^[122]	Q1150AN ^[123]	NQ200AN ^[124]	Catalog Number
						#14 - 2/0	#1 - 4/0	#4 - 300 kcmil	Lug Wire Range (AWG or kcmil)
						2	3	2	#14 Neutral Terminations Required ^[125]
100 A or 225 A	18	20	—	—	4	3	—	Max. Circuit Breaker Amps	
	30	34	—	—	5	5	—		
	42	42	—	—	5	5	—		
	54	60	—	—	5	3	—		
	72	90	—	—	5	3	—		
400 A or 600 A	84	90	—	—	5	3	—		
	30	16	22	4	4	2	2		
	42	23	22	4	7	3	2		
	54	45	11	2	5	3	2		
	72	60	22	4	8	3	2		
	84	60	22	4	0	3	2		

[113] For 225 A panel with SFL, FTL, or SFB.

[114] Not to be used with SFL, FTL, or SFB. These combinations are factory assembled only.

[115] The final character L indicates the kit is used for Low circuit count interiors 30 and 42.

[116] 3-pole HD, HG or HR sub-feed circuit breaker should be selected for single phase 110-150 A applications.

[117] The final character H indicates the kit is used for High circuit count interiors 54, 72, and 84.

[118] PowerPacT L Circuit Breakers require 8.75 in. deep enclosures.

[119] Requires box longer than available box offer.

[120] Quantity of terminations is the same for copper and aluminum neutral assemblies.

[121] Allowances shown are for installation of only one type of add-on neutral lug type. When mixing add-on neutral lug types in a panelboard: 1) the total quantity may not exceed the maximum shown in that row of the table. 2) the capacity for NQ100AN is reduced by twice the quantity of NQ200AN and Q1150AN installed.

[122] Each 1 pole 70 A QO(B)170(VH) installed reduces maximum add-on lug quantity by two. A QO70AN may be used in place of an NQ100AN to create a neutral termination for a 70 A QO(B)- (VH) circuit breaker.

[123] Not allowed in 100 A NQ panelboards.

[124] One NQ200AN is required provide neutral termination for every two 175 - 200 A QO (VH) circuit breakers.

[125] Number of Terminations Required to Install Add-on Lug to NQ Neutral assembly. Lugs may block 1-4 additional terminations depending upon where each is installed.

Table 9.41: NQ Accessories

Description	Catalog No.
Sub-feed Lug (Bolt-on)	
2-pole QOB Branch Mounted Sub-feed Lug Kit	QOB2125SL
3-pole QOB Branch Mounted Sub-feed Lug Kit	QOB3125SL
Equipment Ground Bars (Lug and terminal sizes shown are AWG)	
Aluminum (#6 to 2/0 Cu or Al lug, #14–#4 Cu or #12–#4 Al terminals)	PK27GTA
PK23GTA+ #1 to #4/0 Al or Cu lug	PK23GTAL
Copper (#14 to #1 Cu lug, #14–#4 Cu terminals)	PK27GTACU
Ground Bar Insulator Kit	PKGTAB
Aluminum (twenty seven terminations #14 to #4 AWG)	PK27GTA
PK23GTA+ #1 to #4/0 AWG Al or Cu lug	PK23GTAL
Copper (twenty seven terminations #14 to #4 AWG)	PK27GTACU
Ground Bar Insulator Kit	PKGTAB
Circuit I.D. Number Strips	
1–102 odd/even (left side numbered 1,3,5 ... 101)	NQ102OE
103–204 odd/even (left side numbered 103,105,107 ... 203)	NQ204OE
1–102 sequential (left side numbered 1,2,3 ... 102)	NQ102S
103–204 sequential (left side numbered 103,104,105 ... 204)	NQ204S
Rail and Deadfront Extensions	
6 in. Extension	NQ6RDE
12 in. Extension	NQ12RDE
18 in. Extension	NQ18RDE
24 in. Extension	NQ24RDE
Handle Attachments—Branch Circuit Breakers	
Handle lock-off	HLO1
Handle tie - (QO and QOB only)	QO1HT
Handle padlock attachment—1-pole	QO1PA
2- and 3-pole	QO1PL
Handle tie and lock-off for three 1-pole (QO, QOB)	QO3HT
Handle tie for two 10–30 A single pole QO(B) circuit breaker	QOHT2
Handle tie for three 10–30 A single pole QO(B) circuit breaker	QOHT3
Handle Padlock Attachment for Padlocking in OFF position	
For padlocking 1P QO circuit breaker in OFF position only, fixed attachment	QO1PAF
For padlocking 2P and 3P QO circuit breaker in OFF position only, fixed attachment	QO2PAF
For padlocking 1P QO-GFI, QO-AFI, QO-CAFI, and QO-EPD circuit breakers in OFF position only, fixed attachment	QOADV1PAF
For padlocking 2P QO-GFI and QO-EPD circuit breakers in OFF position only, fixed attachment	QOGFI2PAF
Neutral or Ground Lugs (Lug sizes shown are AWG)	
#10 to #2 Al or #14 to #4 Cu	QO70AN
#14 to 2/0 Al or Cu	NQ100AN
#1 to #4/0 Al or Cu	Q1150AN
(2) #4 AWG to 300 kcmil Al or Cu	NQ200AN
Endwalls for MH Enclosures	
Blank (one per package)	MHBE20
With Knockouts (one per package)	MHKE20
NF NQ Rectangular Cutout Endwall Kit for 20 in. wide NEMA 1 Encl.	MHCO20
Blank 26 in. wide (one per package)	MHBE26
Replacement Part Kits	
NQ & NF Tackle Box Spare Parts Kit	TBPANEL
Other Accessories	
Filler plates (15 per package)	NQFP15



NQ MB Panelboard with SurgeLoc SPD installed

Table 9.42: NQ SurgeLogic SurgeLoc Plug-on SPD [126][127]

Voltage	Surge Current Rating	Part Number
120 / 240 V	80 kA	SSP01SBA08D
	100 kA	SSP01SBA10D
	120 kA	SSP01SBA12D
	160 kA	SSP01SBA16D
	200 kA	SSP01SBA20D
	240 kA	SSP01SBA24D
208 Y / 120 V	80 kA	SSP02SBA08D
	100 kA	SSP02SBA10D
	120 kA	SSP02SBA12D
	160 kA	SSP02SBA16D
	200 kA	SSP02SBA20D
	240 kA	SSP02SBA24D
240 / 120 Vac High Leg Delta	240 kA	SSP03SBA24D

[126] Please reference publication 998-21173700_GMA-US for additional information.

[127] 96 space interiors are available factory assembled when SurgeLoc SPDs are to be installed in 84 circuit NQ panelboards.

Factory-installed IP2X barriers for NQ Panelboards reduce the risk of accidental contact with energized components if a cover is removed.

Features

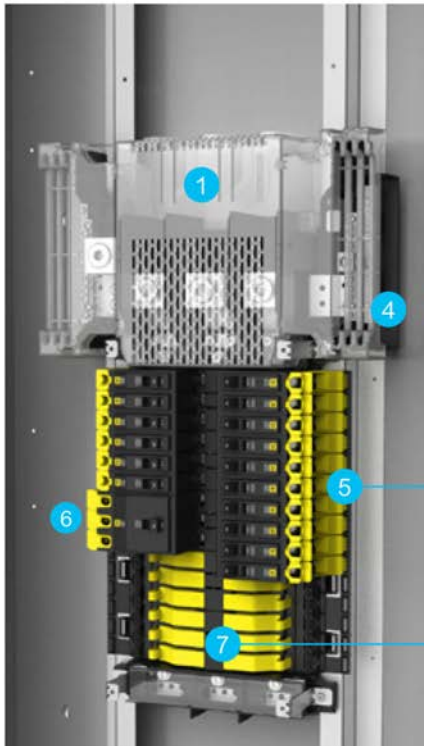
- Plastic barriers cover Mains (lugs or circuit breaker), copper bus, and branch circuit breakers
 - IP2X per IEC 60529 on all ungrounded parts
- 240 Vac maximum
- Three phase (Wye and Delta) NEMA 1, 2, 3R, 4/4X, 5, or 12 (up to 225 A)
 - NEMA 1 panelboards up to 400 A
- Branch circuits up to 100 A: 1-, 2-, and 3-pole
- Selectively coordinated up to 30k AIC
- Available with main lugs, or PowerPacT Q-, H-, J-frame, and LA/LH main circuit breakers
- Series rated up to 200 kAIC with integral main circuit breaker—fully rated up to 65 kAIC
- Sub feed lugs up to 225 A
- cULus Listed to UL 67 and CSA C22.2, No. 29

New Enhanced IP2X design meets IEC 60529^[128] with or without a branch circuit breaker installed.

- Unique jaw kit allows QOB branch circuit breakers to plug onto NQ interior with IP2X barriers

Two factory-assembled constructions (refer to Data Bulletin 1640BR1701 for additional information):

Standard IP2X per IEC 60529
(Bus Finger Covers Empty Spaces)



- 1 Main Lug Cover
- 2 Main Breaker Line Side Cover
- 3 Main Breaker Load Side Cover
- 4 Neutral Cover
- 5 Low Amp QO(B) Cover
- 6 High Amp QO(B) Cover
- 7 Bus Finger Cover



Enhanced IP2X per IEC 6052
(Bus Covered Without Branch Circuit Breaker)



[128] International Electrotechnical Commission (IEC)
a. IEC 60529: 1989+AMD1:1999+AMD2:2013 CSV Consolidated version.- Degrees of Protection Provided by Enclosures (IP Code)

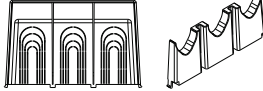
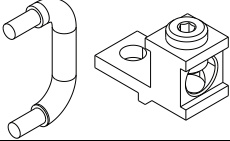
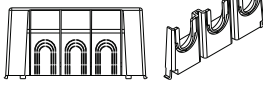
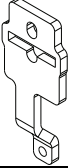
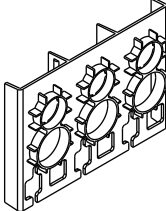
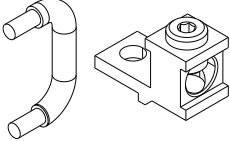
Specifications

NQ Fingersafe Bus Ratings, Enclosures, and Circuit Counts								
IP2X Design	Mains rating	Enclosures: NEMA types	Circuit Count					
			18	30	42	54	72	84
Standard	100	1, 2, 3R, 4/4X, 5, 12	X	X	—	—	—	—
	225	4/4X, 5, 12	—	X	X	X	X	X
	400	1	—	X	X	—	X	X
Enhanced	225	1, 2, 3R, 4/4X, 5, 12	—	—	X	—	—	—
	400	1	—	—	X	—	—	X

QO(B) Branch Circuit Breaker Ratings ^[129]				
Branch Circuit Breaker	Amperes	1-Pole	2-Pole	3-Pole
QO / QOB	10–60	L	L	L
	70	L	L	H
	80–100	—	H	H
QO-H / QOB-H	15–30	—	L	—
	40–100	—	H	—
QO-HID / QOB-HID	15–30	L	L	L
	40–50	L	L	—
QO-HM / QOB-HM	15–20	L	—	—
	15–30	—	L	L
QO-VH / QOB-VH	15–70	L	—	—
	40–100	—	H	H
	40–100	—	H	—
QOH ^[130]	40–100	—	H	—
QHB ^[130]	15–30	L	L	—
IP2X QO(B) Lug Covers:	L (Low Amp) - QOFSALB H (High Amp) - QOFSHALB			

Panelboards intended for use as service equipment, require a barrier over live field connected load terminals. Please select the appropriate barrier from the table below, based upon the main circuit breaker.

Table 9.43: Line Side Barrier and Neutral Bonding Strap Kits

Catalog Number	Contents		Description
	Line Lug Cover	Neutral Bonding Strap	
NQLALLC			NQ LA/LH Line Lug Cover and Neutral Bonding Strap and Lug
NQHJQLC			NQ H/J/Q Line Lug Cover and Neutral Bonding Strap
NQPPLLC			PowerPact™ L Line Lug Cover and Neutral Bonding Strap and Lug

[129] QOB circuit breakers and jaw kits required for Enhanced IP2X design.
[130] Available only in standard IP2X design

Selection Procedure for NF Merchandised Panelboards

1. Review maximum electrical system voltage, ampacity, and available fault current, and determine the type of panelboard is desired (see [NF Panelboards, page 9-5](#) and [I-Line Series Connected Circuit Breaker Ratings, page 9-64](#)).
2. Identify total quantity of branch circuit breaker poles and panel spaces required (see Digest sections 7 and 9 for catalog numbers).
3. Select proper main lug interior from [NF Main Lug Interiors, page 9-23](#) or:
 - Select main circuit breaker interior and main circuit breaker adapter kit from [NF Main Circuit Breaker Interiors - 600Y/347 Vac Max., page 9-24](#) based upon the equivalent number of poles and ampere rating.
NOTE: Interiors include solid neutral and are field convertible to top-feed.
 - If a main circuit breaker interior was selected, select a vertical main circuit breaker (or fuse) from PowerPacT H-, J-, L-, or LA/LH frame circuit breakers pages in Section 7 or a back-fed E-frame circuit breaker from Section 9 of the Digest.
4. Select ground bars from tables [Table 9.78](#) and any non-standard neutral assembly (i.e., 200% neutral for non-linear loads) from [Table 9.74](#).
 - Please note that an aluminum ground bar kit is included with NF Panelboard Interiors.
5. Select any required sub-feed circuit breakers, sub-feed lugs (SFL), or feed-through lugs (FTL) kits:
 - Subfeed circuit breaker (SFB), sub-feed lugs (SFL) or feed-through lugs (FTL) kits: [Table 9.75](#) in the NF Accessories sections.
 - For subfeed circuit breakers, select PowerPacT H-, J-, L- frame circuit breaker from Section 7 of the Digest.
6. Determine the total enclosure height required by adding requirements from interior, main circuit breaker, neutrals, SFL, FTL, or sub-feed circuit breaker.
7. Select enclosure from the tables [Table 9.70](#) and [Table 9.71](#).
NEMA Type 1—select box and front (cover) catalog number corresponding to interior catalog number.
NEMA Type 3R, 5, 12—select enclosure. Cover for Type 3R, 5, 12 is included with the enclosure.
8. Select the branch circuit breakers to be installed in the panel.
For NF panelboards, use E-frame circuit breakers from [E-frame Thermal-magnetic \(480Y/277 Vac Max\) Maximum allowable branch breaker pair combination = 170 A, 100 A Maximum at 600Y/347 Vac, page 9-25](#).
9. Select options and accessories from tables [Table 9.74–Table 9.79](#).
NOTE: Additional NF and NQ options may be found in the [Supplemental Digest, Section 4](#).

NF Merchandised Selection Example
480Y/277 Vac, 3Ø4W, 25 kA SCCR, fully rated, copper bus, 100 A, main circuit breaker, Type 1, flush-mount, bolt-on, branch circuit breakers

Branches	Table No.	Catalog Number	Spaces
(13) 20/1		EGB14020	13
one 40/2		EGB24040	2
one 50/3		EGB34050	3

Total 18 spaces

			Min. Box Height
125 A MLO Cu Bus Interior	page 9-23	NF418L1C	—
With Main Circuit Breaker Adapter Kit	page 9-24	N150MH	38 inches
Main Circuit Breaker	Section 7	HGL36100	—
Enclosure (Box)	page 9-24	MH38	—
Front (Cover)	page 9-24	NC38F	—

Total 38 inches

NF Main Lug Interiors - 600Y/347 Vac Max

Table 9.44: NF Main Lug Interiors - Use I-Line Panelboard for 3Ø3W Delta applications above 240 Vac

Circuit Breaker Pole Spaces [1] [2]	Mains Rating (Amps)	Interior Only Catalog Number (Order Branch Circuit Breakers Separately)[1][3]	NEMA 1 Enclosure			Water, Dirt, and Dust Resistant Enclosure Catalog Numbers[4]		
			Box 20 in. W x 5.75 in. D [5][6]	Mono-Flat Trim™ Front [7]	Hinged Front[5]	Type 3R/5/12 20 in. W x 5.75 in. D [8]	Vented Type 3R 26 in. W x 8.75 in. D [9]	Height (In.)
(Single Phase 3-Wire: Factory Assembled Only) Three Phase 4-Wire [10]								
18	125	NF418L1	MH26, MH26BE	NC26()	NC26()HR	MH26WP	–	26
		NF418L1C						
30		NF430L1	MH32, MH32BE	NC32()	NC32()HR	MH32WP	–	32
		NF430L1C						
42	250	NF442L1C	MH38, MH38BE	NC38()	NC38()HR	MH38WP	–	38
54		NF454L1C	MH44, MH44BE	NC44()	NC44()HR	MH44WP	–	44
		NF430L2C	MH38, MH38BE	NC38()	NC38()HR	MH38WP	–	38
		NF442L2	MH44, MH44BE	NC44()	NC44()HR	MH44WP	–	44
		NF442L2C						
		NF454L2	MH50, MH50BE	NC50()	NC50()HR	MH50WP	–	50
		NF454L2C						
66	400	NF466L2	MH62, MH62BE	NC62()	NC62()HR	MH62WP	–	62
		NF466L2C						
30		NF430L4C	MH50, MH50BE	NC50V()	NC50V()HR	MH50WP	MH62D9VWP[11]	50/62
		NF430L4						
42	600	NF442L4	MH56, MH56BE	NC56V()	NC56V()HR	MH56WP	MH68D9VWP[11]	56/68
		NF442L4C						
54		NF454L4	MH62, MH62BE	NC62V()	NC62V()HR	MH62WP	MH74D9VWP[11]	62/74
		NF454L4C						
66	800	NF466L4	MH74, MH74BE	NC74V()	NC74V()HR	MH74WP	MH86D9VWP[11]	74/86
		NF466L4C						
84		NF484L4	MH86, MH86BE	NC86V()	NC86V()HR	MH86WP	–	86
		NF484L4C						
30	Factory Assembled Only[12]	NF430L6C	MH50, MH50BE	NC50V()	NC50V()HR	MH62WP[11]	MH62D9VWP[11]	50/62
42		NF442L6C	MH56, MH56BE	NC56V()	NC56V()HR	MH68WP[11]	MH68D9VWP[11]	56/68
54		NF454L6C	MH62, MH62BE	NC62V()	NC62V()HR	MH74WP[11]	MH74D9VWP[11]	62/74
66		NF466L6C	MH74, MH74BE	NC74V()	NC74V()HR	MH86WP[11]	MH86D9VWP[11]	74/86
84		NF484L6C	MH86, MH86BE	NC86V()	NC86V()HR	–	–	86

Note: All NF Merchandised Panelboard interiors include the following: a NFFP15 bag of blank filler plates; a neutral bonding strap; an NF information manual; a NEMA instruction booklet; and a sheet of circuit numbers.

[1] Order EDB, EGB, or EJB branch circuit breakers separately. Maximum allowable branch circuit breaker pair combination is 170 A.
 [2] Please note that some local building codes limit panelboards to 42 circuits, including those that reference 2005 or earlier version of the US NEC.
 [3] "C" suffix indicates copper bussing.
 [4] Wall mounting brackets add 0.4 inches to back of MHxxWP enclosures.
 [5] Nominal interior dimensions, see PBA600 for details.
 [6] If Blank End Walls are desired at both ends of NEMA 1 Enclosure, add "BE" suffix to MHXX catalog number.
 [7] Add "F" for flush mount, "S" for surface mount.
 [8] Enclosure includes trim kit. NEMA 3R, 5, 12 enclosures must be bottom fed. Nominal enclosure dimensions, see PBA555 for details.
 [9] Vented Type 3R enclosure with three point latch door required for outdoor applications with two sub-feed breakers, or sub-feed breaker with trip current >150A. NEMA 3R enclosures must be bottom fed, when selected a NF12RDE kit should also be selected. Enclosure nominal dimensions, see PBA603WP for details.
 [10] NF panelboards without neutral connections may be applied to 3 phase, 4 wire grounded Wye systems, except at the Service Entrance.
 [11] NEMA 3R, 5, 12 enclosures must be bottom fed, when selected a NF12RDE kit should also be selected.
 [12] 800 A interiors with main circuit breaker require 8.75 inch deep, 26 inch wide enclosures.

NF Main Circuit Breaker Interiors - 600Y/347 Vac Max.

Table 9.45: NF Main Circuit Breaker Interiors - Use I-Line Panelboard for 3Ø3W Delta applications above 240 Vac

Circuit Breaker Pole Spaces [13]	Mains Rating (Amps)	Main Circuit Breaker Adapter Kits (Less Circuit Breaker)			Interior Only Catalog Number (Order Branch Circuit Breakers Separately) [13][14]	NEMA 1 Enclosure			Water, Dirt, and Dust Resistant Enclosure Catalog Numbers [15]		
		Main Breaker Kit	UL Service Entrance Barrier Kit [16]	Main Circuit Breaker Frame Size [17]		Box 20 in. W x 5.75 in. D [18] or 8.75 in. D [19][20]	Mono-Flat™ Front [21]	Hinged Front [21]	Type 3R/5/12 20 in. W x 5.75 in. D [22]	Vented Type 3R 26 in. W x 8.75 in. D [23]	Height (In.)
(Single Phase 3-Wire: Factory Assembled Only) Three Phase 4-Wire [24]											
15 [25]	15-125	Back-fed Main Breaker [26]	NFEDBS	EDB, EGB or EJB	NF418L1	MH26,	NC26()	NC26()JHR	MH26WP	—	26
27 [25]					NF418L1C	MH26BE					
18	15-125	N150MH [17]	NFEDBS	HD/HG/HJ/HL/HR	NF430L1	MH32,	NC32()	NC32()JHR	MH32WP	—	32
					30	NF430L1C					
42	15-125	N150MH [17]	NFEDBS	HD/HG/HJ/HL/HR	NF418L1	MH38,	NC38()	NC38()JHR	MH38WP	—	38
					54 [27]	NF418L1C					
30	125-250	N250MJ [17]	NFHJLLC	JD/JG/JJ/JL/JR	NF430L1	MH44,	NC44()	NC44()JHR	MH44WP	—	44
					42	NF430L1C					
54	125-250	N250MJ [17]	NFHJLLC	JD/JG/JJ/JL/JR	NF442L1C	MH50,	NC50()	NC50()JHR	MH50WP	—	50
					66	NF442L1C					
30	125-400	N400M [17]	NFLALLC	LA/LH [28]	NF454L1C	MH56,	NC56()	NC56()JHR	MH56WP	—	56
					42	NF454L1C					
54	125-400	N400M [17]	NFLALLC	LA/LH [28]	NF430L2	MH50,	NC50()	NC50()JHR	MH50WP	—	50
					66	NF430L2C					
30	125-600	N600MPPL [17]	NFPPLLLC	LG/LJ/LL/LR	NF442L2	MH56,	NC56()	NC56()JHR	MH56WP	—	56
					42	NF442L2C					
54	125-600	N600MPPL [17]	NFPPLLLC	LG/LJ/LL/LR	NF454L2	MH62,	NC62()	NC62()JHR	MH62WP	—	56
					66	NF454L2C					
30	125-600	N600MPPL [17]	NFPPLLLC	LG/LJ/LL/LR	NF466L2	MH74,	NC74()	NC74()JHR	MH74WP	—	74
					42	NF466L2C					
54	125-600	N600MPPL [17]	NFPPLLLC	LG/LJ/LL/LR	NF430L4	MH62,	NC62V()	NC62V()JHR	MH62WP	MH62D9VWP	62
					66	NF430L4C					
30	125-600	N600MPPL [17]	NFPPLLLC	LG/LJ/LL/LR	NF442L4	MH68,	NC68V()	NC68V()JHR	MH68WP	MH68D9VWP	68
					42	NF442L4C					
54	125-600	N600MPPL [17]	NFPPLLLC	LG/LJ/LL/LR	NF454L4	MH74,	NC74V()	NC74V()JHR	MH74WP	MH74D9VWP	74
					66	NF454L4C					
30	125-600	N600MPPL [17]	NFPPLLLC	LG/LJ/LL/LR	NF466L4	MH86,	NC86V()	NC86V()JHR	MH86WP	MH86D9VWP	86
					42	NF466L4C					
54	125-600	N600MPPL [17]	NFPPLLLC	LG/LJ/LL/LR	NF430L6C	MH68D9	NC68V()3PNF [29]	NC68V()3PNFHR [29]	—	Factory Assembled Only	68
					42	NF442L6C	MH74D9	NC74V()3PNF [29]	NC74V()3PNFHR [29]		—
66	NF454L6C	MH80D9	NC80V()3PNF [29]	NC80V()3PNFHR [29]	—	80					
600-800 Factory Assembled Only [30]											

[13] Order EDB, EGB, or EJB branch circuit breakers separately. Maximum allowable branch circuit breaker pair combination is 170 A.
 [14] "C" suffix indicates copper bussing.
 [15] Wall mounting brackets add 0.4 inches to back of MHxxWP enclosures.
 [16] Please select the appropriate Main Circuit Breaker Barrier for UL Service Entrance applications (see).
 [17] Select the appropriate PowerPacT main circuit breaker from Section 7.
 [18] Nominal interior dimensions, see PBA600 for details.
 [19] D9 suffix indicates the 8.75 in. Deep Enclosure required for panelboards with PowerPacT L main circuit breaker or sub-feed circuit breaker. See PBA604 for dimensional details.
 [20] If Blank End Walls are desired at both ends of 5.75" deep NEMA 1 Enclosure, select catalog number with "BE" suffix. Both end walls are blank in 8.75" deep enclosures.
 [21] Add "F" for flush mount, "S" for surface mount.
 [22] Enclosure includes trim kit. NEMA 3R, 5, 12 enclosures must be bottom fed. Nominal interior dimensions, see PBA555 for details.
 [23] Vented Type 3R enclosure with three point door. Must be bottom fed. Required for outdoor applications with PowerPacT L main circuit breaker, two sub-feed circuit breakers, or sub-feed circuit breaker with trip current >150A. Interior nominal dimensions, see PBA603WP for details.
 [24] NF panelboards without neutral connections may be applied to 3 phase, 4 wire grounded Wye systems, except at the Service Entrance.
 [25] Pole spaces shown are available for branch circuits, with spaces deducted for the back fed main circuit breaker.
 [26] Back-fed EDB 125 A 3 pole main circuit breaker must be ordered separately and field installed. Maximum breaker rating opposite is 20 A.
 [27] Please note that some local building codes limit panelboards to 42 circuits, including those that reference 2005 or earlier version of NFPA 70.
 [28] Available for 125 A-400 A applications. Please order short handle circuit breaker (i.e., LAL36400MB).
 [29] Three point latch trim front; required for enclosures on panelboards with PowerPacT L Main Circuit Breaker, Switch, or Sub-Feed Circuit Breaker
 [30] 800 A interiors with main circuit breaker require 8.75 inch deep, 26 inch wide enclosures.

E-frame Circuit Breakers for NF Merchandised Panelboards

Table 9.46: E-frame Thermal-magnetic (480Y/277 Vac Max) [31][32]



Ampere Rating	ED, EG, EJ (480Y/277 Vac)		"D" Interrupting Level 18 kA @ 480Y/277 Vac	"G" Interrupting Level 35 kA @ 480Y/277 Vac	"J" Interrupting Level 65 kA @ 480Y/277 Vac	Terminal Wire Range (AWG)
	Hold	Trip	Catalog Number	Catalog Number	Catalog Number	
1-pole, 277 Vac						
15 A	270	875	EDB14015[33][34]	EGB14015[33][34]	EJB14015[33][34]	AL30FD #14–#6 Al or Cu
20 A			EDB14020[33][34]	EGB14020[33][34]	EJB14020[33][34]	
25 A			EDB14025[34]	EGB14025[34]	EJB14025[34]	
30 A	630	1800	EDB14030[34]	EGB14030[34]	EJB14030[34]	AL100FD #14–2/0 Al or Cu
35 A			EDB14035[34]	EGB14035[34]	EJB14035[34]	
40 A			EDB14040[34]	EGB14040[34]	EJB14040[34]	
45 A			EDB14045[34]	EGB14045[34]	EJB14045[34]	
50 A			EDB14050[34]	EGB14050[34]	EJB14050[34]	
60 A			EDB14060	EGB14060	EJB14060	
70 A			EGB14070	EJB14070		
2-pole, 480Y/277 Vac [35]						
15 A	270	875	EDB24015[34]	EGB24015[34]	EJB24015[34]	AL30FD #14–#6 Al or Cu
20 A			EDB24020[34]	EGB24020[34]	EJB24020[34]	
25 A			EDB24025[34]	EGB24025[34]	EJB24025[34]	
30 A	630	1800	EDB24030[34]	EGB24030[34]	EJB24030[34]	AL100FD #14–2/0 Al or Cu
35 A			EDB24035[34]	EGB24035[34]	EJB24035[34]	
40 A			EDB24040[34]	EGB24040[34]	EJB24040[34]	
45 A			EDB24045[34]	EGB24045[34]	EJB24045[34]	
50 A			EDB24050[34]	EGB24050[34]	EJB24050[34]	
60 A			EDB24060	EGB24060	EJB24060	
70 A			EGB24070	EJB24070		
80 A	1000	2300	EDB24080	EGB24080	EJB24080	AL100FD #14–2/0 Al or Cu
90 A			EDB24090	EGB24090	EJB24090	
100 A			EDB24100	EGB24100	EJB24100	
110 A			EDB24110	EGB24110	EJB24110	
125 A			EDB24125	EGB24125	EJB24125	
3-pole, 480Y/277 Vac						
15 A	270	875	EDB34015[34]	EGB34015[34]	EJB34015[34]	AL30FD #14–#6 Al or Cu
20 A			EDB34020[34]	EGB34020[34]	EJB34020[34]	
25 A			EDB34025[34]	EGB34025[34]	EJB34025[34]	
30 A	630	1800	EDB34030[34]	EGB34030[34]	EJB34030[34]	AL100FD #14–2/0 Al or Cu
35 A			EDB34035[34]	EGB34035[34]	EJB34035[34]	
40 A			EDB34040[34]	EGB34040[34]	EJB34040[34]	
45 A			EDB34045[34]	EGB34045[34]	EJB34045[34]	
50 A			EDB34050[34]	EGB34050[34]	EJB34050[34]	
60 A			EDB34060	EGB34060	EJB34060	
70 A			EGB34070	EJB34070		
80 A	1000	2300	EDB34080	EGB34080	EJB34080	AL100FD #14–2/0 Al or Cu
90 A			EDB34090	EGB34090	EJB34090	
100 A			EDB34100	EGB34100	EJB34100	
110 A			EDB34110	EGB34110	EJB34110	
125 A			EDB34125	EGB34125	EJB34125	
EPDs (Equipment Protection Devices), 1-pole, 277 Vac, Thermal-magnetic with 30 mA ground-fault protection[36]						
15 A	270	875	EDB14015EPD[33][34]	EGB14015EPD[33][34]	EJB14015EPD[33][34]	#14–#6 Cu or #12–#4 Al
20 A			EDB14020EPD[33][34]	EGB14020EPD[33][34]	EJB14020EPD[33][34]	
30 A			EDB14030EPD[34]	EGB14030EPD[34]	EJB14030EPD[34]	
40 A	630	1800	EDB14040EPD[34]	EGB14040EPD[34]	EJB14040EPD[34]	
50 A			EDB14050EPD[34]	EGB14050EPD[34]	EJB14050EPD[34]	

NOTE:

- All EDB, EGB, and EJB circuit breakers are UL Listed as HACR Type. For 50°C calibration, use a CA suffix. NF branch circuit breakers are fungus proof as standard.
- If circuit breakers are required for 600Y/347 Vac applications, view the E-frame circuit breakers available at www.se.com/ca.

[31] Maximum allowable branch breaker pair combination = 170 A.
 [32] 100 A Maximum at 600Y/347 Vac
 [33] UL Listed as SWD (Switching duty rated).
 [34] UL Listed as HID (High Intensity Discharge rated).
 [35] UL Listed for use on 240 V Corner-grounded Delta Systems (Grounded B Phase). See data bulletin 2700DB0202.
 [36] All EPDs occupy two spaces, with or without Alarm Switch option. For alarm switch, add the suffix BA. EPD circuit breakers may not be used in systems with phase to ground voltages other than 277 Vac.

Table 9.47: Factory installed Electrical Accessories

Auxiliary Switch (1A/1B)	Alarm Switch (NO)	Coil Burden Max. (VA)	Minimum Recommended Supply Transformer (VA)
Monitors circuit breaker contact status and provides a remote signal indicating the circuit breaker contacts are OPEN or CLOSED. Application Max Load = 10 A @ 120 Vac 50/60 Hz Terminals for #14 AWG Cu wire	Used with control circuits and is actuated only when the circuit breaker has tripped. Application Max Load = 7 A @ 120 Vac 50/60 Hz Terminals for #14 AWG Cu wire.	288	50
		Shunt Trip—Trips the circuit breaker from a remote location by means of a coil energized from a separate circuit. A 120 V shunt trip will operate at 55% or more of rated voltage. Application For use with momentary or maintained push button. 120 Vac 50/60 Hz Terminals for #14 AWG Cu wire.	

Table 9.48: Factory Installed Electrical Accessory Packages for ED, EG, EJ Circuit Breakers

Accessory Package	Suffix
Auxiliary Switch and Alarm Switch ^[37] ^[38]	AABA
Shunt Trip Package ^[37] ^[38]	SA
Auxiliary Switch/Alarm Switch/Shunt Trip Package ^[37] ^[38]	AABASA
Alarm Switch (N.O.) Package for EPDs only	BA

Table 9.49: Terminal Nut Insert Kit

Circuit Breaker Type	Qty. per Kit	Catalog No.
ED, EG, EJ	3	TIKFD

Table 9.50: Handle Accessories

Circuit Breaker Type	No. of Poles	Catalog No.
E-frame Fixed Padlock Attachment, Lock ON/OFF		
ED, EG, EJ	1, 2, or 3	EDPA
E-frame Fixed padlock attachment, Lock OFF only		
ED, EG, EJ	1, 2, or 3	EDPAF
E-frame Removable padlock attachment, Lock OFF only		
ED, EG, EJ	1, 2, or 3	HPAFD
E-frame Handle Ties		
ED, EG, EJ	Ties 2 – 1P	ECB2HT
	Ties 3 – 1P	ECB3HT

Table 9.51: Interrupt Ratings (kA)

	EDB	EGB	EJB
120 V	25	65	100
240 V	18 (1P), 25	35 (1P), 65	65 (1P), 100
480Y/277 V	18	35	65
600Y/347 V ^[39]	14	18	25

Table 9.52: Mechanical Lug Kit Information (Al lugs for use with Al or Cu wire)^[38]

Standard	Circuit Breaker Application			Number of Wires Per Lug and Wire Range	Catalog Number	Lugs Per Kit
	Ampere Rating	Optional	Ampere Rating			
EDB, EGB, EJB	15–30 A	—	—	one #12—#6 AWG Al or one #14—#6 AWG Cu	AL30FD	3
	35–125 A	EDB, EGB, EJB	15–30 A ^[40]	one #12—2/0 AWG Al or one #14—2/0 AWG Cu	AL100FD	3
—	—	EDB, EGB, EJB	15–125 A	one #14—1/0 AWG Cu	CU100FD	3

^[37] Accessory package takes an additional pole space.

^[38] Not available for EPD.

^[39] Requires use of ExBx6xxx circuit breakers, i.e. EDB16015 for a 1P, 15A circuit.

^[40] Factory installed only. Use suffix "LH".

Factory Assembled Main Circuit Breakers—600Y/347 Vac maximum

Table 9.53: NF Panelboard Factory Assembled Interiors—600Y/347 Vac Max

Single Phase 3-Wire (1P/3W), or Three Phase 4-Wire (3P/4W) [41]							
Mains Rating (Amps)				Max. Number of One-Pole Circuit Breakers	Bus Material	Min. Box Depth (inches)	
Main Lugs Only	Circuit Breaker Frame	Main Breaker [42]	Main Switch [42]			Main Lugs Only	Main Breaker / Switch
125 Max	ED, EG, EJ [43]	15–125	–	18, 30	Al, Cu	5.75 in.	5.75 in.
125 Max	HD/HG/HJ/HL/HR	15–125	110–125	18, 30, 42, 54 [44]	Al, Cu	5.75 in.	5.75 in.
250 Max	JD/JG/JJ/JL/JR	150–250	150–250	30, 42, 54, 66	Al, Cu	5.75 in.	5.75 in.
400 Max	LA/LH	125–400	300–400	30, 42, 54, 66, 84	Al, Cu	5.75 in.	5.75 in.
600 Max	LG/LJ/LL/LR [45]	125–600	450–600	30, 42, 54, 66 [46], 84	Cu	5.75 in.	8.75 in. [47]
800 Max	MG	600–800	–	30, 42, 54	Cu	8.75 in. [48]	8.75 in. [49]
	PG, PJ, PL	600–800	600–800				

NOTE: Factory Assembled Main Circuit Breakers (600Y/347 Vac maximum). 600Y/347 Vac applications require use of E_B_6___ branch circuit breakers, i.e. EDB16015 for a 1P, 15A circuit.[50]

400 A and 600 A panelboards, 1Ø or 3Ø

PowerPacT L-frame - see Tables in Section 7.

Table 9.54: Main Circuit Breaker

No. of Poles	Trip Unit Options	Frame Sizes	Ampacity
3	LI, LSI, Switch	LG, LJ, LL, LR	125–600 A
LA/LH, PowerPacT H and J-frame circuit breakers are also available —see Tables in Section 7 and Supplemental Digest Section 3.			

Table 9.55: PowerPacT L Main Circuit Breaker Cabinet Height (inches)

Max. No. of Branch Spaces (Does not include sub-feed circuit breaker spaces)	NEMA 1 Enclosure (20 in. W x 8.75 in. D) [51]	Vented NEMA 3R Enclosure (26 in. W x 8.75 in. D) [52]	
	400 / 600 A Interior	400 A	600 A
30	68	68	74
42	74	74	80
54	80	80	86

Table 9.56: Sub-feed Circuit Breakers for NF Panelboards [53]

Interior Mains Rating	Mains Type	Sub-Feed Circuit Breaker(s)			Space Factor [54]
		Ampacity	Poles	MCCB Frame	
250 - 800 A	Main Lugs	110 - 150	2, 3	HD, HG, HJ, HL, HR [55] [56]	18 inches
		150 - 250	2, 3	JD, JG, JJ, JL, JR [56] [57]	
		300 - 400	2, 3	LA or LH	
		125 - 600	3	LG, LJ, LL, LR	
250 - 400 A	PowerPacT J or LA/ LH Main Circuit Breaker	110 - 150	2, 3	HD, HG, HJ, HL, HR [55] [56]	
		150 - 250	2, 3	JD, JG, JJ, JL, JR [56] [57]	
		300 - 400	2, 3	LA or LH [58]	
		125 - 400	3	LG, LJ, LL, LR [59]	
400 - 600 A [60] [61]	PowerPacT L Main Circuit Breaker [62]	110 - 150	2, 3	HD, HG, HJ, HL, HR [55] [56]	18 inches
		150 - 250	2, 3	JD, JG, JJ, JL, JR [56] [57]	
		125 - 400	2, 3	LA / LH [58]	12 inches
		125 - 600	3	LG, LJ, LL, LR [60]	18 inches
700 - 800 A [63]	PowerPacT M, P Main Circuit Breaker	110 - 150	2, 3	HD, HG, HJ, HL, HR [55] [56]	12 inches
		150 - 250	2, 3	JD, JG, JJ, JL, JR [56] [57]	18 inches
		300 - 400	2, 3	LA / LH	12 inches
		125 - 600	3	LG, LJ, LL, LR	18 inches
400 - 800 A [58]	Main Circuit Breaker [62]	110 - 400	2, 3	One LA / LH with one H-, or J- frame	36 inches

[41] NF panelboards without neutral connections may be applied in 3-phase, 4-wire grounded Wye systems, except at the Service Entrance.
 [42] Factory Assembled Interiors are rated for trip current of Main Breaker / Switch.
 [43] Back-Fed Main Breaker applications only.
 [44] Three Phase Copper only.
 [45] PowerPacT L circuit breakers may only be installed on 600 A NF panelboard interiors. 400 A max. PowerPacT L circuit breakers should be selected for applications requiring trip ampacities between 125–400 A.
 [46] NF Panelboards with PowerPacT L Main Circuit Breaker or Switch are limited to a maximum of 54 branch circuits.
 [47] NF Panelboards with PowerPacT L Main Circuit Breaker or Switch require 8.75 in. deep enclosures and three point latch trim fronts.
 [48] Enclosures limited to NEMA Type 1 only.
 [49] 8.75 in. Enclosures limited to 26 in. Wide NEMA Type 1.
 [50] Requires use of ExBx6xxx branch circuit breakers, i.e. EDB16015 for a 1P, 15A circuit.
 [51] D9 8.75 in. deep enclosure and three point latch door is required for PowerPacT L Main Circuit Breaker, Switch, or Sub-Feed Circuit Breaker. See Table 9.45 NF Main Circuit Breaker Interiors - Use I-Line Panelboard for 3Ø3W applications above 240 Vac, page 9-24.
 [52] PowerPacT L not available in non-vented (NEMA Type 3R/5/12, or 4/4X) enclosures.
 [53] See Digest Section 7 for Interrupting Ratings and Catalog Numbers of PowerPacT H-, J-, L-, and LA/LH frame MCCBs. NEMA 3R applications with sub-feed breakers greater than 150 A require 8.75 in. deep, 26 in. wide enclosure - reference PBA603WP for dimensions.
 [54] Space Factor is the length required for sub-feed circuit breaker. Please reference Product Selector output for panelboard enclosure dimensions.
 [55] Three pole HD, HG, HR MCCBs are installed for single phase sub-feed circuit breaker applications.
 [56] One or two sub-feed circuit breakers may be selected.
 [57] Three pole JR MCCBs are installed for single phase sub-feed circuit breaker applications.
 [58] NF Panelboards with LA / LH sub-feed circuit breakers are shipped fully assembled.
 [59] NF Panelboards with PowerPacT L main and sub-feed circuit breakers require 26 in. wide, 8.75 in. deep enclosure with 3-point latch trim front. Reference PBA758 or PBA754 drawings for dimensions in NEMA Type 1 or 3R enclosures, respectively.
 [60] NF Panelboards with PowerPacT L circuit breakers require 8.75 in. a deep enclosure with 3-point latch trim front. Reference PBA559x drawings for dimensions, where x may be blank, HR, HRT, or T.
 [61] Add 6 in. to space factor for NF Panelboards with 600 A PowerPacT L circuit breakers in NEMA 3R enclosures. Reference PBA754 drawing for dimensions. Maximum sub-feed breaker is 400 A when installed with a 600 A rated main circuit breaker in a NEMA 3R enclosure.
 [62] NF Panelboards with PowerPacT L main circuit breaker and any sub-feed circuit breaker(s) are shipped completely assembled in 26 in. wide, 8.75 in. deep enclosures, with gutter mounted neutral assemblies.
 [63] NF Panelboards with 800 A rated main circuit breaker are shipped completely assembled in 26 in. wide, 8.75 in. NEMA 1 enclosures. Reference PBA756 or PBA756HR drawing for dimensions.

Common Features

Table 9.57: Sub-feed (Double) Lugs (Standard Copper Mechanical Lugs)

Mains Rating	Sub-feed Lug Wire Range
125 A	(2) #6–2/0 AWG Al or Cu
250 A	two 1/0 AWG–350 kcmil or one 1/0 AWG–750 kcmil Al or Cu
400 A	(2) 1/0 AWG–750 kcmil Cu
600 A	(4) 4/0 AWG–500 kcmil Al or Cu
800 A	(6) 3/0 AWG–500 kcmil Al or Cu

Sub-feed (Double) Lugs (Standard Aluminum Mechanical Lugs): An additional mains and termination point that can be used to feed out to another panelboard or device from the incoming service lines. Available on main lug interiors only.

Table 9.58: Sub-feed Lug Cabinet Data (Standard Aluminum Mechanical Lugs)

Max. No. of Branch Spaces	Main Lugs Enclosure Height in Inches				
	125 A	250 A	400 A	600 A	800 A [64]
18	26	—	—	—	—
30	32	38	50	74	80
42	—	44	56	80	86
54	—	50	62	86	92

Table 9.59: Feed-through Lugs (Standard Aluminum Mechanical Lugs)

Mains Rating	Feed-through Wire Range Wire
125 A	one #6 AWG–2/0 kcmil Al or Cu
250 A	one #6 AWG–350 kcmil Al or Cu
400 A	one 1/0 AWG–750 kcmil or two 1/0 AWG–350 kcmil Al or Cu
600 A	two 1/0 AWG–750 kcmil Al or Cu

Feed-through Lugs (Standard Aluminum Mechanical Lugs): A second set of lugs assembled at the opposite end from the mains of the panelboard. Often used to connect another panelboard or device to the incoming lines. Available on main lugs and main circuit breaker panelboards.

Table 9.60: Feed-through Lugs Cabinet Data (Standard Aluminum Mechanical Lugs)

Max. No. of Branch Spaces	Enclosure Height in Inches									
	125 A	100/125 A	250 A		400 A LA/LH		600 A		800 A	
	Main Breaker (back-fed only)	Main Lugs	Main Breaker	Main Lugs	Main Breaker	Main Lugs	Main Breaker	Main Lugs	Main Breaker [65]	Main Lugs [64]
18	38	32	44	—	—	—	—	—	—	—
30	44	38	50	50	62	56	68	56	74	56
42	—	—	—	56	68	62	74	62	80	62
54	—	—	—	62	74	68	80	68	86	68

Table 9.61: NF Equipment Ground Bar Kits [66]

Interior Rating	Circuit Count	Aluminum	Copper	Ground Bar Insulator Kit
125 A / 250 A	18	PK12GTA	PK27GTACU	PKGTAB
	30	PK18GTA		
	42, 54	PK23GTA		
250 A	66 and Split Bus	PK27GTA		
400 A / 600 A	All	PK27GTA		

Table 9.62: Name Plates

Name Plates
Standard white face/black letter laminated bakelite, 1 in. x 3.5 in., adhesive-backed or screw mountable with screws in a bag assembly

Table 9.63: NF Panelboard Neutral Assembly Options (Standard Width Enclosures)

Interior Mains Rating	Mains Type			Load End Options		100% Neutrals		200% Neutrals		Factory Assembled Only
	MLO	MB	SFL	FTL	SFB	Aluminum	Copper	Aluminum	Copper	
125 A	Y	Y	Y	Y	N/A	Standard	NFN1CU	NFNL1	Factory Assembled Only	
250 A	Y	Y	-	-	-		NFN2CU	NFNL2		
	-	-	Y	Y	Y		NFN6CU	NFNL4		
400 A	Y	Y	-	-	-			Factory Assembled Only		Factory Assembled Only
600 A	-	-	Y	Y	Y					
	Y	Y	-	-	-					
800 A	Y	Y	-	-	-	Factory Assembled Only	Factory Assembled Only	Factory Assembled Only	Factory Assembled Only	

Table 9.64: NF Main Neutral Conductors—(Quantity) and Wire Size[67]

Interior Rating	Mechanical Neutral Line Lugs		Compression Neutral Line Lugs
	Standard Lug Wire Range	Oversized Lug Wire Range	Standard Lug Wire Range
125 A	(1) #6–2/0 AWG Cu or Al	Select 250 A neutral assembly	(1) #6-2/0 AWG Cu or (1) #4-300 kcmil Al
250 A	(1) #6 AWG-250 kcmil Cu or (1) #6 AWG - 350 kcmil	Select 400 A neutral assembly	(1) 2/0 AWG-250 kcmil Cu or (1) 250-350 kcmil Al
400 A	(2) 1/0 AWG–300 kcmil or (1) 1/0 AWG-700[68] kcmil Cu or Al	(2) 1/0 AWG-700[68] kcmil or (4) 1/0 AWG-300 kcmil	(1) 400-600[68] kcmil Cu or (1) 2/0 AWG-500 kcmil Al
600 A		(4) 1/0 AWG-600[68] kcmil Cu or Al[69]	(1) 2/0 AWG-500 kcmil Cu or Al
800 A		(6) 4/0 AWG-500 kcmil Cu or Al[70]	

NOTE: 200% applications require gutter mounted neutral in special (W x 26 in.) enclosure factory assembled only. One exception, without subfeed lugs, feed-thru lugs and subfeed breakers 400 A (30-84 circuit interiors) and 600 A (30-54 circuit interiors) does not require a special enclosure.

Gutter extensions may be required to provide NEC wire bending space for cable(s) of maximum lug size.

[64] 800 A main lug panelboards require an 8.75 in. deep and 26 in. wide box.

[65] 600 A main circuit breaker panelboards require an 8.75 in. deep, 26 in. wide box.

[66] One (1) PK kit supplied when ground bar is specified. Two (2) PK kits supplied when "extra" ground bar is ordered.

[67] Lug Wire Ranges shown meet NEC wire bending space. Lugs may accept larger cables if enclosure size is increased.

[68] Installation of 750 kcmil neutral lugs possible if enclosure size is increased to provide wire bending space.

[69] Factory Assembled only; increases enclosure length 6-12 in.

[70] Factory Assembled only; enclosure length increases 6-12 in.; requires 8.75 in. deep D9 enclosure.



600 A NF Main Lug Only Panelboard with Condo Riser Neutral Assembly

Table 9.65: NF Panelboard Condo Riser Neutral Panelboards (Requires 26 in. Wide, 8.75 in. Deep Enclosure)^[71]

Main Rating	Available Branch Circuits	Neutral Rating	Neutral Assembly	Mains Options			Load End Options		Line Lug Wire Range	Load Lug Wire Range
				Main Lugs	Main Breaker	Sub-Feed Lugs	Feed-Thru Lugs	Sub-Feed Breaker		
400 / 600 A	30, 42, 54	100%	NFN6CR	Y ^[72]	LA, LG, LH, LJ, LL, LR ^[73]	Y	Y	Y	(4) AWG 1/0 - 750 kcmil	(8) AWG 3/0 - 750 kcmil
		200%	NFNL6CR							
800 A		100%	Factory Assembled Only	N / A	MG, PG, PJ, PL ^[74]	Y	Y	Y	(8) AWG 3/0 - 750 kcmil	(8) AWG 3/0 - 750 kcmil
		200%								

Table 9.66: Metal Directory Frame

Metal Directory Frame
Metal Directory Frames are available as a premium factory assembled alternative to standard plastic directory card holders on the back of panelboard trim fronts.

Table 9.67: Hinged Door-in-Door Trim

Hinged Door-in-Door Trim
Hinged Door-in-Door Trim has piano hinge down one side. Inner door has a lock, outer door is retained with screws
Hinged Door-in-Door with Outer Door Lock in place of screws

Table 9.68: Weatherproof or Dusttight Cabinets NEMA Type 3R, 4, 4X, 5, 12)

Weather resistant and Dust resistant Cabinets—Type 3R, 4, 4X, 5, 12

NOTE: NF panelboards with PowerPacT L circuit breakers are not available with a NEMA Type 4, 4X, 5, or 12 enclosure. (Use I-Line).

NF panelboards with PowerPacT L circuit breakers are available with vented 26 in. wide NEMA 3R enclosures. These vented NEMA 3R enclosures also enable selection of subfeed circuit breakers up to 600 A.

400 A NF panelboards in NEMA 4, 4X, 5, or 12 enclosures are available with one subfeed breaker up to 150 A.

Table 9.69: Optional Factory Assembled Lugs for Main Lug Only and Main Circuit Breaker Interiors

Incoming Lugs Type
Aluminum Compression Lugs
Copper Mechanical Lugs
Copper Compression Lugs



NF MB Panelboard in Vented NEMA 3R enclosure

Table 9.70: NF Special Features Standard NEMA Type 1 Enclosure Selection Table—Enclosure Catalog Number for Standard Main Mechanical Lugs Only

Feature	Main Lugs Only														
	Sub-feed Lugs				Feed-through Lugs				Sub-feed Circuit Breaker						
Interior Rating	125 A	250 A	400 A	600 A	800 A	125 A	250 A	400 A	600 A	800 A	250 A	400 A	600 A	600 A ^[75]	800 A
No. of Circuits	NEMA 1 Enclosure Catalog Number				NEMA 1 Enclosure Catalog Number				NEMA 1 Enclosure Catalog Number						
18	MH26	—	—	—	—	MH32	—	—	—	—	—	—	—	—	—
30	MH32	MH38	MH50	—	—	MH38	MH50	MH56	—	—	MH56	MH68	MH68	MH62D9	—
42	—	MH44	MH56	—	—	—	MH56	MH62	—	—	MH62	MH74	MH74	MH68D9	—
54	—	MH50	MH62	—	—	—	MH62	MH68	—	—	MH68	MH80	MH86	MH74D9	—
66	—	MH62	MH74	—	—	—	MH74	MH80	—	—	MH80	MH92	MH92	—	—
84	—	—	MH86	—	—	—	—	—	—	—	—	—	—	—	—

Table 9.71: Special Features Enclosures Selection Table—Merchandised NF Vertically Mounted Main Breaker Panelboards with Accessories (by Mains Rating)

No. of Circuits	Vertical Main Circuit Breaker (MB) ^[76]										Back-fed MB
	Sub-feed Circuit Breaker (PowerPacT H or J)					Feed-through Lugs (FTL)					FTL
	125 A	250 A	400 A	600 A	800 A	125 A	250 A	400 A ^[76]	600 A	125 A	
	Cat. No.	Cat. No.	Cat. No.	Cat. No.	Cat. No.	Cat. No.	Cat. No.	Cat. No.	Cat. No.	Cat. No.	
18	—	—	—	—	—	MH44	—	—	—	MH32	
30	—	MH68	MH80	—	—	MH50	MH62	MH68	—	MH38	
42	—	MH74	MH86	—	—	—	MH68	MH74	—	—	
54	—	MH80	MH92	—	—	—	MH74	MH86	—	—	
66	—	MH92	—	—	—	—	MH86	MH92	—	—	

Table 9.72: Surgelocic™ Hard Bus SPD—Model^[77]

Surge Current Rating kA
100
120
160
200
240

[71] Select 26 in. Wide Condo Riser Panel under Structure Options in the SE Advantage Panelboard Product Selector.
 [72] Reference PBA757 drawing for additional dimensional information.
 [73] Reference PBA758 drawing for additional dimensional information.
 [74] Reference PBA756 or PBA756HR drawing for additional dimensional information.
 [75] PowerPacT LG, LJ, LL, or LR Sub-Feed Circuit Breaker.
 [76] 400 A dimension for LA/LH main circuit breakers only.
 [77] Panelboard box height with SPD unit—Contact your local Schneider Electric representative or distributor.

Table 9.73: SurgeLogic SPD Options

SurgeLogic SPD Options
Surge Counter
Dry Contacts
Remote Monitor

Additional Factory Assembled Options - NF and NQ Panelboards

- PowerLogic™ metering
- Customer equipment space
- Increased box depth
- Box extensions top, bottom and side
- Drip hoods
- Non-standard paint
- NEMA 1 gasketed
- NEMA 4 Stainless steel enclosure
- NEMA 4X Fiberglass enclosure (NQ and NF)
- Stainless steel trim front (NQ, NF and I-LINE)
- Padlockable hasp
- Special locks (Corbin, Yale, Best)
- Equal height boxes
- Common trip to cover two equal height boxes
- Panelboard skirtheads conduits feeding a panelboard
- Panelboard wireway for terminating conduit in wireway endwall
- Panelboard interiors and special fronts to fit existing boxes

NOTE: For additional factory modifications, see [Modifications For Factory Assembled Panelboards, page 9-61](#).

Accessories

Table 9.74: NF Merchandised Neutrals

Mains Ampacity	200% Neutral Kit	Copper 100% Neutral Kit
	Catalog No.	Catalog No.
125	NFNL1	NFN1CU
250	NFNL2	NFN2CU
400	NFNL4[78]	NFN6CU
600	Factory Assembled Only	NFN6CU[78]

Table 9.75: NF Merchandised Interior Modification Kits

Mains Ampacity	Sub-feed Lugs [79]	Feed-through Lugs [79]	Mains Ampacity	Sub-feed Circuit Breaker Kits [79] (circuit breaker not included)	
	Catalog No.	Catalog No.		Single Sub-feed Circuit Breaker	Twin Sub-feed Circuit Breakers
				Catalog No.	Catalog No.
125	NF125SFL	NF125FTL	250	NF250SFBH/NF250SFBJ	—
250	NF250SFL	NF250FTL	400	N600MPPL (400 A Max.)	NF600SFBH NF600SFBJ[80]
400	NF400SFL [81]	NF400FTL	600	NF600SFBPPL (600A)[80]	Factory Assembled Only
600	Factory Assembled Only		800	Factory Assembled Only	

NOTE: NF250SFBH and NF600SFBH are for use with HDL, HGL, HJL, HLL, and HRL circuit breakers. NF250SFBJ and NF600SFBJ are for use with JDL, JGL, JJL, JLL, and JRL circuit breakers.

Table 9.76: Optional Main Lug Kits for Main Lug Panelboards

Ampacity	Al Compression Lug Kit		Cu Mechanical Lug Kit		Cu Compression Lug Kit [81]	
	Catalog No.	Lug Wire Range	Catalog No.	Lug Wire Range	Catalog No.	Lug Wire Range
125	NFALV1 [82]	one #4 AWG–300 kcmil	NFCUM1	#6–2/0 AWG	NFCUV1 [83]	one #6–1/0 AWG
250	NFALV2	one 250–350 kcmil	NFCUM2	#6 AWG–250 kcmil	NFCUV2 [83]	one 2/0 AWG–300 kcmil
400	NFALV4	two 2/0 AWG–500 kcmil	NFCUM4	one 1/0 AWG–750 kcmil, or two 1/0 AWG–350 kcmil	NFCUV4	one 400–750 kcmil
600	NFALV6	two 2/0 AWG–500 kcmil	NFCUM6	two 1/0 AWG–750 kcmil	NFCUV6	two 250–500 kcmil
800	Contact your local Schneider Electric representative or distributor.					

[78] Not to be used with SFL, FTL, or SFB. These combinations are factory assembled only.
 [79] Available factory assembled only on non-linear panelboards.
 [80] Sub-feed circuit breakers may not be field installed onto NF Panelboards with PowerPac T L main circuit breakers.
 [81] Use copper wire only.
 [82] Use of this kit requires an additional 6 in. added to box height.
 [83] Use of this kit to terminate larger than standard wire size requires an additional 6 in. added to box height.

Table 9.77: US Service Entrance Barrier Kits (required by NFPA 70—National Electrical Code® (NEC®) 2017 and later)

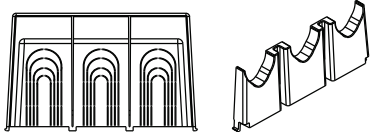
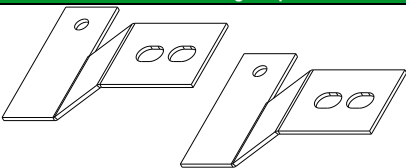
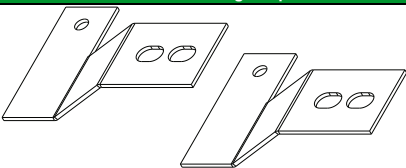
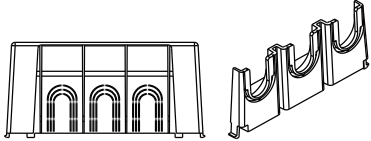
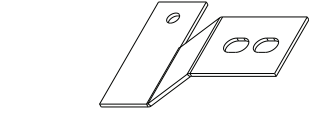
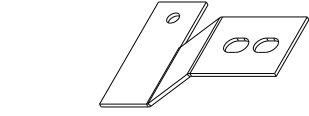
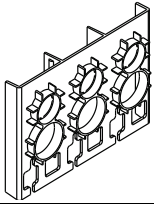
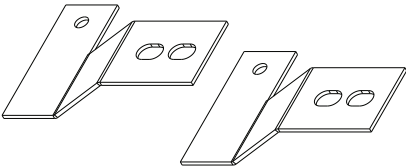
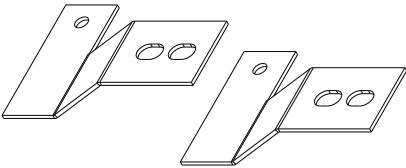
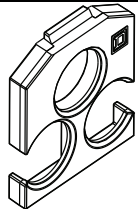
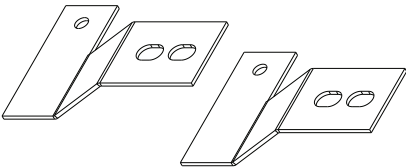
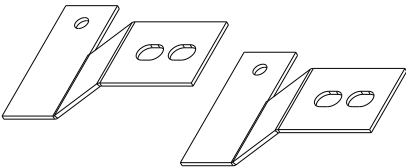
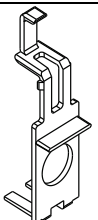
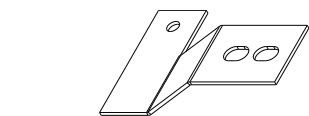
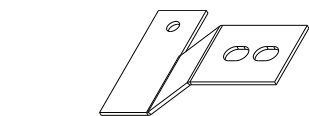
Catalog Number	Line Lug Cover	Contents	Neutral Bonding Strap	Description
NFLALLC				NF LA/LH Line Lug Cover and Neutral Bonding Strap
NFHJLLC				NF H/J Line Lug Cover and Neutral Bonding Strap
NFPPLLC				NF PowerPac L Line Lug Cover and Neutral Bonding Strap
NFPPLLC				PowerPac P Line Lug Cover and Neutral Bonding Strap
NFEDBS				NF E Frame Line Lug Cover and Neutral Bonding Strap

Table 9.78: NF Accessories

Description	Catalog No.	Description	Catalog No.
Aluminum Equipment Ground Bar	PK27GTA	Replacement Part Kits	
Copper Equipment Ground Bar	PK27GTACU	Filler plate (15 per package)	NFFP15
AWG #1-4/0 Aluminum Lug on Aluminum Equipment Ground Bar	PK23GTAL	E-frame Fixed padlock attachment, Lock ON/OFF for ED, EG, and EJ Circuit Breakers 1, 2, or 3 poles	EDPA
Equipment Ground Bar Insulator Kit	PKGTAB	E-frame Fixed padlock attachment, Lock OFF only for ED, EG, and EJ Circuit Breakers 1, 2, or 3 poles	EDPAF
Circuit I.D. number strips		Drip Hood for 20 in. wide enclosures	MHT2DH20
102 odd/even (left side numbered 1, 3, 5...101)	NF102OE		
103–204 odd/even (left side numbered 103, 105, 107...203)	NF204OE		
1–102 sequential (left side numbered 1, 2, 3 ...102)	NF102S		
103–204 sequential (left side numbered 103, 104, 105... 204)	NF204S		
Rail and Deadfront Extensions			
6 in. Extension	NF6RDE		
12 in. Extension	NF12RDE		
18 in. Extension	NF18RDE		

Table 9.79: Add-On Lugs for Neutral Bars or Ground Bars

Catalog Number	Lug Wire Range (AWG)	Wire Ampere
QO70AN	#12 to #2 Al or #14 to #4 Cu	70 A
Q1100AN	#14 to #1/0 Al or Cu	80 - 100 A

NOTE: Requires two standard termination spaces on Neutral or Ground bar.

Table 9.80: NQ Standard Aluminum Mechanical Lugs—Main Lugs

Panel Type	Ampere Rating	Part Number	Lug Wire Range ^[1]
NQ	100 A	NQALM1	(1) #6-2/0 Al or Cu
	225 A	NQALM2	(1) #6-350 kcmil Al or Cu
	400 A	NQALM4	(1) 1/0-750 kcmil Al or Cu or (2) 1/0-350 kcmil Al or Cu
		NQALM6	(2) 1/0-750 kcmil Al or Cu
	600 A	NQAL-M6A	(1) 1/0-750 kcmil Al or Cu or (3) 250 kcmil Al-Cu

Table 9.82: NF Standard Mechanical Lugs—Main Lugs

Panel Type	Ampere Rating	Part Number	Lug Wire Range ^[1]
NF	125 A	NFALM1	(1) #6-2/0 Al or Cu
	250 A	NFALM2	(1) #6-350 kcmil Al or Cu
	400 A	NFALM4	(1) #1/0-750 kcmil or (2) #1/0-350 kcmil Al or Cu
		NFALM6	(2) 1/0-750 kcmil Al or Cu
	800 A	NFALM8	(3) 1/0-750 kcmil Al or Cu

NQ and NF Terminal Data

Table 9.81: NQ Standard Aluminum Mechanical Lugs—Main Circuit Breaker

Panel Type	Ampere Rating	Circuit Breaker Type	Lug Wire Range ^{[2][1]}
NQ	100 A	QOB	(1) #4-#2/0 Al or Cu
	150 A	HD, HG, HJ, HL	(1) #14-#3/0 Al or Cu
	225 A	QB, QD, QG, QJ	(1) #4-300 kcmil Al or Cu
	250 A	JD, JG, JJ, JL	(1) #3/0-350 kcmil Al or Cu ^[2]
	400 A	LA, LH	(1) #1-600 kcmil Al or Cu or (2) #1-250 kcmil Al or Cu
		LD, LG, LJ, LL	(2) #4/0-500 kcmil Al or Cu

Table 9.83: NF Standard Mechanical Lugs—Main Circuit Breaker

Panel Type	Ampere Rating	Circuit Breaker Type	Lug Wire Range ^{[2][1]}
NF	125 A	ED, EG, EJ	(1) #14-#2/0 Al or Cu
	150 A	HD, HG, HJ, HL	(1) #14-#3/0 Al or Cu
		JD, JG, JJ, JL	(1) #3/0-350 kcmil Al or Cu ^[2]
	250 A	DJ	(1) #2-600 Cu or #2-500 Al
		LA, LH	(1) #1-600 kcmil or (2) #1-250 kcmil Al or Cu
	600 A	LD, LG, LJ, LL, LR	(2) #4/0-500 kcmil Al or Cu

PANELBOARDS 9

[1] (#) = Number of conductors per phase.
[2] The lug range shown is for the highest amperage of the circuit breaker frame shown in the table.

Separated Distribution and Split Bus NF and NQ Panelboards



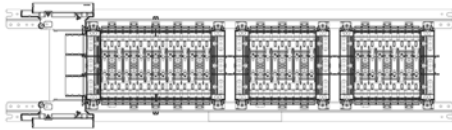
Square D Separated Distribution and Split Bus Panelboards provide compact, affordable options to protect lighting, HVAC, renewable energy, and appliance circuits in buildings.

Separated Distribution Panelboards facilitate Separation of Electrical Circuits for Electrical Energy Monitoring to simplify compliance with Section 130.5-B of California's 2016 Building Energy Efficiency Standards.

NOTE: Refer to Data Bulletin 1600HO1701 for more information.



Special lug pad adaptors allow field removal of cables, for easy field installation of solid core or split CTs for electrical energy measurement, by load type.



Split Bus panelboards enable configurations of two or three back fed main circuit breakers, with independent branch distribution sections, in a single enclosure.

Table 9.84: Separated Distribution Interiors (Cabled Between Sections)

Separated Distribution Interiors (cabled between sections)			Max. No. of Available Pole Spaces			Box Height (in.)	
Product Family	Main Ampacity MLO	Voltage Phases	Main	Split	Split 2	Main Lug Only	Main Circuit Breaker
NQ	225 A	3 Ph	30	18	18	62	74
	400 A		18	18	18	62	74
NF	250 A	3 Ph	30	18	18	80	92
			18	18	18	80	92

Table 9.85: Bus Bar Interiors (125 A Max. Split Amps)

Split Bus Bar Interiors (125 A Max. Split Amps)			Max. No. of Available Pole Spaces			Box Height (in.)	
Product Family	Main Ampacity MLO	Voltage Phases	Main	Split	Split 2	Main Lug Only	Main Circuit Breaker
NQ	225 A	1, 3 Ph	18	30	—	44	56
		1, 3 Ph	30	18	—	44	56
		1, 3 Ph	30	30	—	44	56
		3 Ph	30	18	18	50	62
NF	250 A	3 Ph	18	30	—	56	68
		1, 3 Ph	30	18	—	56	68
		1, 3 Ph	30	30	—	62	74
		3 Ph	30	18	18	74	86

Square D NF and NQ Separated Distribution and Split Bus Panelboards come Factory Assembled with copper bus, with or without an integral Main Circuit Breaker. A wide variety of configurations may be submitted for quotation via Square D QuoteFAST, and may be quoted or ordered by Authorized Distributors using SE Advantage or E-Way Quote Management.

Features:

- Multiple branch section configurations (pole spaces per section):
 - Split Bus: 18-30; 30-18; 30-30; 30-18-18
 - Separated Distribution: 30-18-18; 18-18-18
- Up to 400 A Mains rating for NQ; up to 250 A Mains in NF panelboards

Notes:

- Enclosure width / depth: 20 in. / 5.75 in. minimum.
- Subfeed breaker or lugs, feed through lugs not available at top or bottom ends of panel.
- Split Bus - feeder breaker (125 A max.) in downstream split section back-fed from feeder breaker in upstream main or split section.
- Segregated Distribution - cables may be removed in the field. Downstream Split section may have same rating as Main.



(60 A Max. Branch Circuit Breaker) NQ Application Data

Application: For use on ac only. Meet Federal Specification W-P-115c, Type 1, Class 1. UL Listed.

Service: 1Ø3W, 3Ø3W, 3Ø4W, 3 Grd. “B” Ø—240 Vac max.

AIR: See the QOB(VH) circuit breaker tables in Section 9.

Mains: Type NQ—Bolt-on main lugs: 100 A, 225 A

- Main circuit breaker: 100 A—QOU, 225 A—QB
- See the tables in Section 7 for main circuit breaker interrupt ratings. See catalog for terminal lug data.
- Main circuit breakers with higher interrupt ratings are available as factory assembled panelboards.

Branches: Bolt-on QOB, 60 A maximum. QOB 10-60 A 1-, 2- and 3-pole. See [QOB Circuit Breakers for NQ Panelboards, page 9-11](#) and [NQ Factory Assembled Panelboards, page 9-14](#) for branch circuit breaker terminal data. QOB-VH and QHB branch circuit breakers are also available as factory assembled.

Cabinet: Front—Screw cover. Box—galvanized steel with removable endwalls.

Gutters:

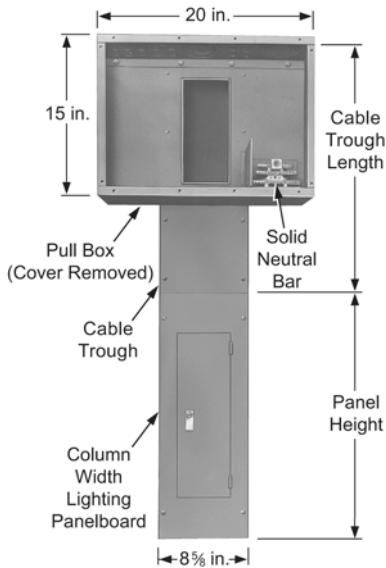
- 100 A—4 in. min. mains end, 3 in. min. opposite mains
- 225 A—10 in. min. mains end, 5 in. min. opposite mains

Table 9.86: NQ Single-Row (Column-width)—240 Vac Bolt-on [1]

Max. No. of Poles	Mains Rating	Box and Interior with Solid Neutral (8.625 in. W. x 5 in. D.) (Order branch circuit breakers separately)		Front (Surface Mount)
		Catalog Number	Box Height (In.)	Catalog Number
1 Phase 3-Wire Main Lugs Only				
30	225	NQ830L2C	45	LX45TS
Main Circuit Breaker—2-pole				
20	100	NQ820B1C	40	LX40TS
3 Phase 4-Wire Main Lugs Only				
30	100	NQ8430L1C	40	LX40TS
42	225	NQ8442L2C	58	LX58TS
Main Circuit Breaker—3-pole				
30	100	NQ8430B1C	45	LX45TS
42	225	NQ8442B2C	62	LX62TS

Table 9.87: Cable Troughs and Pull Boxes

Cable Troughs (L=Length) [2]		Pull Boxes with Solid Neutral	
L (In.)	8.625 in. x 5 in. Catalog Number	S/N Terminals	Catalog Number
36	MTX836	42	MPX81542
48	MTX848		
56	MTX856		
66	MTX866		



[1] 60 A Maximum Branch—Copper Bus Standard.
[2] Cable troughs are standard with a trough barrier.



(60 A Max. Branch Circuit Breaker) NF Application Data

Application: For use on ac only. Meet Federal Specification W-P-115c, Type 1, Class 1. UL Listed.

Service: 600Y/347 Vac, 3Ø4W

AIR: See the E-frame circuit breaker tables in Section 9.

Mains: Type NF—Bolt-on main lugs: 125 A, 225 A

- Main circuit breaker: 100 A—HD, 225 A—JD. See the tables in Section 7 for main circuit breaker interrupt rating. See the catalog section for terminal lug data.
- Main circuit breakers with higher interrupt ratings are available as factory assembled panelboards.

Branches: EDB, EGB, or EJB, 60 A maximum. See [E-frame Thermal-magnetic \(480Y/277 Vac Max\)](#), page 9-25 for branch circuit breaker catalog numbers and terminal data.

Cabinet: Front—Screw cover. Box—galvanized steel with removable endwalls.

Gutters:

- 100 A—4 in. min. mains end, 3 in. min. opposite mains
- 225 A—10 in. min. mains end, 5 in. min. opposite mains

Table 9.88: NF Single-Row (Column-width)—600Y/347 Vac Bolt-on

Max. No. of Poles	Mains Rating	Box and Interior with S/N (9.69 in. W. x 5.625 in. D.)		Front (Surface Mount)
		Catalog Number	Box Height (In.)	Catalog Number
Main Lugs Only—3 Phase 4-Wire				
30	125	NF8430L1C	59	NC59TS
42	225	NF8442L2C	71	NC71TS
Main Circuit Breaker—3-pole				
30	100	NF8430M1C	65	NC65TS
		NF8430M1HDC		
42	225	NF8442M2JDC	85	NC85TS

Table 9.89: Cable Troughs and Pull Boxes

Cable Troughs (L=Length) [3]		Pull Boxes with Solid Neutral	
L (In.)	9.69 in. x 5.625 in. Catalog Number [4]	S/N Terminals	Catalog Number
36	NTX836	42	MPX81542
48	NTX848		
56	NTX856		
66	NTX866		

[3] Cable troughs are standard with a trough barrier.

[4] Box width = 8.625 in.; width at front, including flange, is 9.69 in.



NQ and NF MVP Panelboards

NF and NQ Measurement and Verification Panelboards (MVP) panelboards with HDPM6000 high density power metering enable monitoring of the incoming mains and all outgoing feeders in final distribution panelboards. The HDPM6000 head unit serves as a stand-alone power quality meter and the foundational unit for the entire HDPM6000 range of devices. It provides voltage waveform capture, data logging, and communications via Ethernet, Modbus, SNMP, and BACnet. Current transformers (CTs) can be connected to the head unit to monitor the incoming main phase and neutral cables.

HDPM6000S24 CT strips and click-in CTs enable the monitoring of up to 87 outgoing feeder wires in a single panelboard and up to 165 branch circuits in a two-section panelboard.

Factory Assembled System

SE Advantage may be used to select NQ MVP panelboards for applications at 240, 208Y/120, or 120/240 Vac, and may be available in a wide variety of configurations, with main lugs or a main circuit breaker up to 600 A. NF MVP panelboards are available for three-phase and single-phase applications up to 480Y/277 Vac, with lugs or a main circuit breaker up to 800 A.

- Branch circuits up to 125 Amperes (2-pole and 3-pole), up to 70 A 1-pole
- NEMA Type 1, 2, or 3R/5/12 enclosures
- Sub-feed lugs up to 400 A
- Feed-thru lugs up to 600 A
- Sub-feed circuit breakers up to 600 A
- Barriers between line power and electronics for building code compliance

MVP Panelboards support a wide variety of applications and can be easily integrated into an EcoStruxure™ system to manage energy in almost any building.

- Accurately correlate and/or bill for circuit- and process-specific costs, keep users accountable for energy use.
- Gather and analyze consumption data to identify patterns, target energy efficiency measures and verify results, identify waste and opportunities to reduce energy.
- Analyze and interpret power quality data to useful information, improve system-wide performance, and help determine causes of equipment malfunction.
- View current and historic circuit-focused energy bills, compare use across circuits and discover trends over time.
- Support compliance to ASHRAE 90.1, International Energy Conservation Code, California Energy Code (Title 24), Washington State Energy Code, etc.



Powerlink available in column width design

Powerlink™ Intelligent Lighting Control Systems

Powerlink intelligent lighting control systems are ideally suited for controlling lighting and other loads in commercial, institutional, and industrial facilities. Such systems are typically used to lower utility cost by switching branch circuits OFF during non-occupied periods when lighting is unnecessary or during peak demand periods when a partial reduction in load can save significant money.

These systems utilize remotely operated circuit breakers to switch branch circuits ON and OFF via a time schedule or by an externally generated signal (typically a low voltage wall switch, photocell, access system, fire alarm or building management system). All Powerlink components mount inside a standard lighting panelboard to provide a compact, space saving installation.

Powerlink intelligent lighting control systems feature a powerful microprocessor based controller that provides system intelligence for 168 remotely operated branch circuits. Primary panelboards contain the control electronics, power supply, and control bus strips for up to 84 branch circuit breakers. Sub-panels extend the capability of the system by allowing remotely operated branch circuit breakers to be operated from the primary controller via a simple, 4-wire, sub-net connection.

Powerlink panels systems have the capability of being networked together and operated from a central workstation or via a remote modem connection. Powerlink software allows users to remotely configure the system, change time schedules, monitor circuit breaker or input status, and override zones and breakers.

BACnet Capability

The Building Automation and Control network (BACnet) communication protocol is incorporated into the Powerlink™ controller design. The addition of the BACnet protocol allows Powerlink panels to be easily integrated into a Building Automation System (BAS) employing this open communication standard without the need for communication bridges or gateways.

Controller

Powerlink NF3500G4 controllers support 'native' BACnet and Ethernet communications.

Powerlink Automated Lighting and Load Control - Factory Assembled System

SE advantage may be used to select 120 Vac, 240 Vac or 480Y/277 Vac Powerlink intelligent lighting control systems:

- Select system type and interior size from [Table 9.90](#), page 9-40. All Powerlink panels are furnished with either 1 or 2 control bus strips.
- All Powerlink panels use NF type panelboard interiors, boxes, and trims and are suitable for 120 Vac, 240 Vac or 480Y/277 Vac systems.
- Select branch circuit breaker requirements. Powerlink panels can accommodate both ECB-G3 remotely operated circuit breakers and EDB, EGB and EJB standard branch circuit breakers.
- Refer to panelboard section for additional panelboard accessories.
- For complete price, order by description.
- Apply appropriate discount schedule.

240 Vac Factory Assembled System Example:

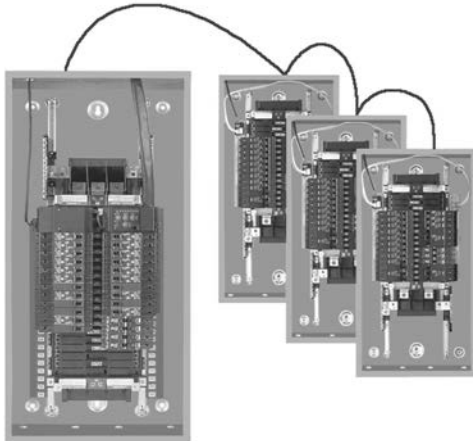
Powerlink 3500 level system with 250 A MLO panelboard rated for 208Y/120 Vac, 3Ø4W, 10kAIR, Type 1, surface mount with ground bar and (12) 20 A 1-pole bolt-on remote operated circuit breakers.

Table 9.90:

Item	Page No.
System Type: 3500 controller with 12 ckt bus	page 9-41
Panel type: 250 A MLO	page 9-23
Branch circuit breakers: (12) 20 A 1-pole	page 9-40
Ground bar	page 9-28

Table 9.91:

NF3500G4 Controller Feature	Quantity Available ^[1]
Inputs	
2 - wire	16
2 - wire with status feedback ^[2]	8
3 - wire	8
Analog Inputs available	4
Time Scheduler	
Independent schedules	64
ON-OFF periods/schedule	999
Special events/holiday periods	64
Automatic daylight savings	X
Sunrise/sunset tracking	X
Network Variables	
Communications inputs accessible	256
Remote sources (per controller)	128
Maximum subscriptions	256
Zones	
Maximum number	256
Maximum number of sources per zone	4
Maximum number of remotely operated circuit breakers (per subnet)	168
Networking	
RS-232 port/RS-485 port	X
Ethernet (100BaseT port)	X
Protocols	
Modbus™ ASCII/RTU	X
Modbus TCP	X
BACnet/IP, BACnet MS/TP	X
DMX512	X



Up to eight panels can be controlled from a single controller.

Powerlink™ ECB-G3 Circuit Breakers

Table 9.92: ECB-G3 Circuit Breakers Bolt-On Remotely Operated

Ampere Rating	One-Pole 277 Vac – 14,000 AIR 120 Vac – 65,000 AIR	Two-Pole 480Y/277 Vac – 14,000 AIR 120/240 Vac – 65,000 AIR 240 Vac – 14,000 AIR Ground B Phase	Three-Pole 480Y/277 Vac – 14,000 AIR 240 Vac – 42,000 AIR
15	ECB14015G3^[3]	ECB24015G3^[3]	ECB34015G3^[3]
20	ECB14020G3^[3]	ECB24020G3^[3]	ECB34020G3^[3]
30	ECB14030G3	ECB24030G3	ECB32030G3^[4]



ECB-G3 Circuit Breakers

Table 9.93: ECB-G3 Circuit Breakers for Emergency Lighting (requires 2-pole spaces)

Ampere Rating	One-Pole 480 Y/277 – 14,000 AIR 240 V – 65,000 AIR
20	ECB142020G3EL

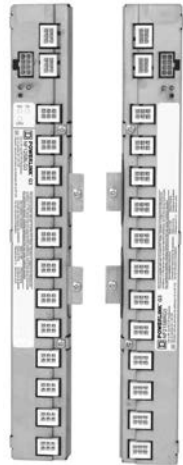
NOTE: All are listed as HACR type for use with air conditioning, heating and refrigeration equipment having motor group combinations and marked for use with HACR type circuit breakers. UL listed as HID rated for use with high intensity discharge lighting systems. (1) #10–8 Al or (1) #12–8 Cu. Suitable for use with 75°C conductors.

[1] X = Supported feature.
 [2] 7.5 mA maximum load per input terminal.
 [3] UL listed as SWD (switching duty) rated.
 [4] Rated for 240 Vac only – 42,000 AIR

Powerlink™ Accessories

Table 9.94: Control Bus

Max. No. of Control Circuits	Required Interior Size	Panel Orientation	Catalog No.
12	30	Left	NF12SBLG3
12	30	Right	NF12SBRG3
18	42	Left	NF18SBLG3
18	42	Right	NF18SBRG3
21	54	Left	NF21SBLG3
21	54	Right	NF21SBRG3



Control Bus



Power Supply



NF3500G4 Controller



Powerlink Software

Table 9.95: Power Supply

Voltage	Primary Source	Catalog No.
120 V	Panel Bus	NF120PSG3
240 V	Panel Bus	NF240PSG3
277 V	Panel Bus	NF277PSG3
120 V	External	NF120PSG3L
240 V	External	NF240PSG3L
277 V	External	NF277PSG3L

Table 9.96: Cables & Accessories

Description	Catalog No.
Control bus cables	
Harness standard panel	NF2HG3
Sub-net accessories & cables	
Sub-panel address selector ^[5]	NFSELG3
6' sub-net cable	NFSN06
25' sub-net cable	NFSN25

Table 9.97: Miscellaneous Hardware

Description	Catalog No.
Circuit Breaker Handle Padlock (Lock On or Off)	HPAFD

Table 9.98: Software

Description	Catalog No.
LCSV2 Software ^[6]	LCSV2

[5] One address selector required for each sub-panel.
 [6] Required for G4 controllers (NF3500G4). Will also support G3 controllers.



Remote Mount Controller

Remote Mount Controller

Table 9.99: Remote Mount Controller (for externally mounted electronics) Includes NEMA 1 enclosure, NF3500G4 controller, and power supply

Voltage	Catalog No.	Controller Type
120 V	RMC3500G4120	NF3500G4
240 V	RMC3500G4240	
277 V	RMC3500G4277	

NF Panelboards 240 V and 480Y/277 V Factory Assembled Systems—Max. Voltage 480Y/277 Vac

Table 9.100: Branch Circuit Breaker

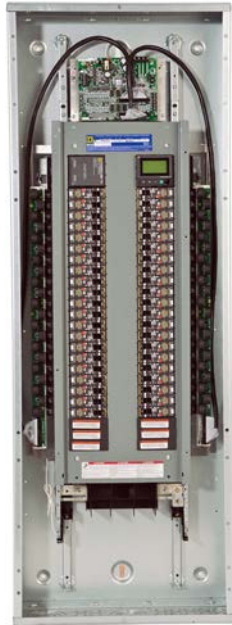
Powerlink G3—ECB Bolt-On 65 kA AIR@240 Vac, 14 kA AIR@480 Y/277		Standard Breakers—EDB Bolt-On 18 kA AIR 1-pole, 25 kA AIR 2 & 3-pole @ 240 V, 18 kA AIR@480 Y/277		Standard Breakers HIC—EGB Bolt-On 65 kA AIR@240 Vac, 35 kA AIR@480 Y/277		Standard Breakers Extra HIC—EJB Bolt-On 100 kA AIR@240 Vac, 65 kA AIR@480 Y/277		
Voltage	Ampere Rating	Voltage	Ampere Rating	Voltage	Ampere Rating	Voltage	Ampere Rating	
240 Vac	15–20 A	480Y/277 Vac	15–60 A	480Y/277 Vac	15–60 A	480Y/277 Vac	15–60 A	
	30 A		70 A		70 A		70 A	
480Y/277 Vac	15–20 A		80–100 A	80–100 A	80–100 A		80–100 A	80–100 A
	30 A		110–125 A	110–125 A	110–125 A		110–125 A	110–125 A
Space Only		Space Only		Space Only		Space Only		

NOTE: All EC, ED, EG and EJ branch circuit breakers are UL Listed as HACR type.

Powerlink MVP (Measurement and Verification Panelboards) Energy Management (EM) and Control of Lighting and Other Loads

Powerlink MVP panelboards integrate the same features found in the Powerlink 3500G4 level system with energy monitoring and verification of lighting and other branch circuit loads. The PowerLogic™ metering installed in these panelboards may be configured to accurately monitor every branch circuit and the incoming mains.

The Powerlink system reduces electrical energy consumption associated with lighting and other loads by automatically switching loads off during non-occupied periods. The Powerlink system is often ideal for reducing the peak demand by switching unnecessary lights off in response to an automated response signal or when high time-of-day energy tariffs occur.

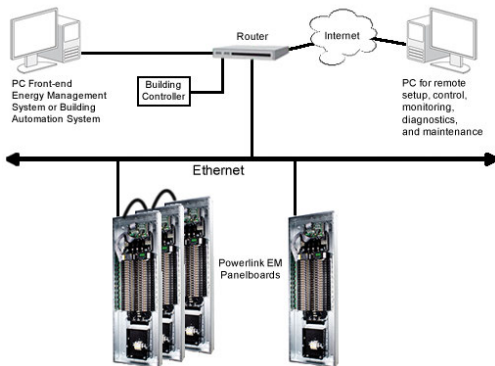


Powerlink Energy Management (EM) Lighting Control System

- Integral individual and optional mains metering to provide utmost flexibility in assuring a sustainable metering and verification program
- Monitors current, voltage, energy consumption, demand, and power factor for complete energy profiling
- Accumulated metering information transmitted via Modbus communications interface
- Data updates occurring within seconds to provide timely preventative maintenance information
- Alarm indication when parameters approach user-configured thresholds
- 16 hard-wired inputs available for connection to devices with physical dry-contacts
- 64 communication inputs available for network connection
- 16 independent time schedules, each can be configured into 24 distinct periods
- 7-day repeating clock with changeable automatic daylight savings time
- Automatic sunrise/sunset tracking with offsets
- 32 special event periods
- 32 remote sources for sharing input status, time schedules, or zone status between controllers
- Full custom logic capabilities, including full Boolean functions and synchronization services
- RS232 and RS485
- Serial communications using Modbus ASCII/RTU, BACnet MS/TP and DMX512 protocols (metering Modbus only)
- Ethernet 100BaseT communications using Modbus TCP and BACnet/IP or Ethernet TCP/IP protocols

Table 9.101: Characteristics, Standards Compliance, and Power Monitoring Specifications

Characteristics	
Operating Temperature	-5° to 40°C (23° to 104°F) (95%RH, non-condensing)
Storage Temperature	-20° to 85°C (-4° to 185°F) (<95%RH, non-condensing)
Regulatory/Standards Compliance	
<ul style="list-style-type: none"> • UL Listed 916, Energy Management Equipment • FCC Part 15, Class A • NEC Class 1 and Class 2 Control Circuits • ESD Immunity: IEC 1000, level 4 • RF Susceptibility: IEC 1000, level 3 • Electrical Fast Transient Susceptibility: IEC 1000, level 3 • Electrical Surge Susceptibility: IEC 1000, level 4 (power line) • Electrical Fast Transient Susceptibility: IEC 1000, level 3 (interconnection lines) 	
Power Monitoring Specifications	
General	
Control Power	100–277 Vac
Frequency	50/60 Hz
Sampling Frequency	2560 Hz
Update Rate	1.6 seconds per panelboard
Overload Capability	10 kAIC
Ribbon Cable Support	Up to 20 ft.
Operating Temperature	0° to 60°C (32°C to 122°F) (<90%RH, non-condensing)
Storage Temperature	-40° to 70°C (-40° to 158°F)
Maximum Operating Altitude	2000 m (6562 ft.)
Accuracy	
Current Monitoring	0.25 A to 100A: 3% of reading from 0.25 A to 2 A; 2% of reading from 2 A to 100 A
Auxiliary Inputs	2% of reading from 1% to 10% of rated current; 1% of reading from 10% to 100% of rated current (0 to 0.333 Vac)
Voltage Input	90–277 Vac; 1% of reading from 90–277 L-N (models BCPMA and BCPMB only)
Power	4% of reading from 0.25 A to 2 A; 3% of reading 2 A to 100 A ^[7] (models BCPMA and BCPM only)
Network Communications	
Serial	Modbus™ RTU, Modbus TCP
Ethernet	TCP/IP
BACnet	BACnet IP
SNMP	SNMP v2



[7] Recommended for application where EMS software monitoring is not provided.

I-Line Panelboard

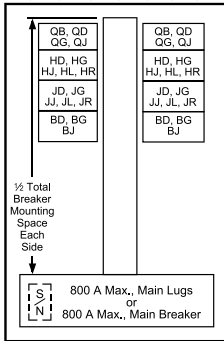


HCJ
Box Size:
32 in. Wide, 9.5 in. Deep, NEMA Type 1



HCP SU
Box Size:
26 in. Wide, 9.5 in. Deep, NEMA Type 1

TYPE HCJ
250 A max. branch circuit breaker
BD, BG, BJ, QB, QD, QG, QJ, HD, HG,
HJ, HL, HR, JD, JG, JJ, JL, JR



TYPE HCP-SU
800 A max. main circuit breaker
600 A max. branch circuit breaker
BD, BG, BJ, LA, LG, LJ, LL, LH, LR,
MG, MJ, PG, PJ, PL, PGC, PJC, PLC^[1], QB,
QD, QG, QJ, HD, HG, HJ, HL, JD, JG, JJ, JL

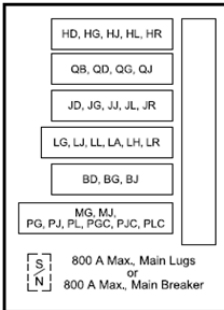


Table 9.102: Interiors, Boxes and Fronts

Total Circuit Breaker Mounting Space (in.)	Mains Amperage Rating	Interior Assembly (Less Branch Circuit Breakers) Catalog Number	Front ^[2]		Box ^[3]		Box Height (In.)
			4 Piece Trim Without Door	Trim With Door ^[3]	Type 1	NEMA 3R/5/12 ^[4] (Includes Front)	
HCJ Main Lugs Only 3-pole—Suitable for use as service equipment when provided with a main circuit breaker and service barrier kit.							
27	400 A	HCJ14484	HCM48T()	HCM48T()D	HC3248DB9	HCJ3248WP	48
	600 A	HCJ14486					
	800 A	HCJ14488					
45	400 A	HCJ23734	HCM73T()	HCM73T()D	HC3273DB9	HCJ3273WP	73
	600 A	HCJ23736					
	800 A	HCJ23738					
63	400 A	HCJ32734	HCM91T()	HCM91T()D	HC3291DB9	HCJ3291WP	91
	600 A	HCJ32736					
	800 A	HCJ32738					
99	400 A	HCJ50914	HCM91T()	HCM91T()D	HC3291DB9	HCJ3291WP	91
	600 A	HCJ50916					
	800 A	HCJ50918					
HCJ Main Circuit Breaker ^[5] ^[6] Includes 3-pole, vertically mounted main circuit breaker							
27	400 A	HCJ14734M	HCM73T()	HCM73T()D	HC3273DB9	HCJ3273WP	73
	600 A	HCJ18736MP					
	800 A	HCJ18738MP					
45	400 A	HCJ23734M	HCM91T()	HCM91T()D	HC3291DB9	HCJ3291WP	91
	600 A	HCJ36916MP					
	800 A	HCJ36918MP					
72	400 A	HCJ41914M	HCM91T()	HCM91T()D	HC3291DB9	HCJ3291WP	91
	600 A	HCJ41914M					
	800 A	HCJ36918MP					
HCP-SU ^[7] Universal Single Row Main Lugs or Main Circuit Breaker ^[6] 3-pole—Suitable for use as service equipment when provided with a main circuit breaker and service barrier kit. ^[8] For main circuit breaker panel, order plug-on I-Line type PG, PJ, PL, MG, or MJ circuit breakers from page 9-57 through page 9-59 and back-fed as the main breaker (order solid neutral from page 9-47).							
54	800	HCP54868SU	HC2686T()4P	HC2686T()HR ^[9]	HC2686DB	HC2886WP	86

[1] PG, PJ, PL circuit breakers are available with both thermal-magnetic equivalent and MicroLogic trip. The MicroLogic circuit breakers are available 80% and 100% rated. "C" suffix denotes a 100% rating.
 [2] Add "F" for flush mount, "S" for surface mount.
 [3] For Type 1 applications, order interior, front, and box. For Type 3R/5 applications, order interior and box only. The front is included with the box.
 [4] Remove drain screws for Type 3R rating.
 [5] Bottom feed standard.
 [6] Circuit breaker interrupt ratings, see Interrupting Ratings Codes (kA), page 9-54.
 [7] For main lugs panel, order sub-feed lug kit and back-fed as main lugs.
 [8] Suitable for use as service equipment if equipped with an integral main circuit breaker or when not more than six main disconnecting means are provided and the panelboard is not used as a lighting and appliance branch circuit panelboard. (Not applicable in Canada)
 [9] Hinged trim with door.

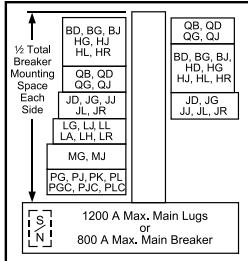


TYPE HCP
Box Size:
42 in. Wide, 9.5 in. Deep, NEMA Type 1



TYPE HCR-U Universal Mains
Box Size:
44 in. Wide, 9.5 in. Deep, NEMA Type 1

TYPE HCP
800 A max. branch circuit breaker
BD, BG, BJ, QB, QD, QG, QJ, HD, HG, HJ, HL, HR,
JD[10], JG, JJ, JL, JR, LA, LH, LG, LJ, LL,
LR, MG, MJ, PG, PJ, PL, PGC, PJC, PLC [11]



TYPE HCR-U Universal Mains
1200 A max. branch circuit breaker
BD, BG, BJ, QB, QD, QG, QJ, HD, HG, HJ, HL, HR,
JD[10], JG, JJ, JL, JR, LA, LH, LG, LJ, LL, LR,
MG, MJ, PG, PJ, PK, PL, RG, RJ, RK, RL, PGC,
PJC, PKC, PLC, RGC, RJC, RKC, RLC [12][11]

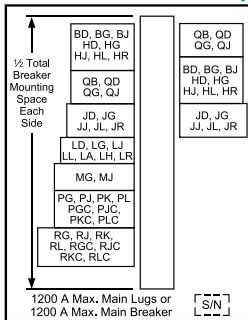


Table 9.103: (1200 A Interiors Include solid neutral, all others without solid neutral)

Total Circuit Breaker Mtg. Space (In.)	Mains Amp. Rating	Max. No. of MJ, PL, RL Circuit Breakers	Interior Assembly (Less Branch Circuit Breakers)	Front [14]		Box [15]	Box Height (In.)
				4 Piece Trim Without Door [16]	Trim With Door		
			Catalog Number	Catalog Number	Catalog Number	Catalog Number	
HCP Main Lugs Only—3-pole Suitable for use as service equipment when provided with a main circuit breaker and service barrier kit.							
27	400	1PL	HCP14504	HCW50T()	HCW50T()D	HC4250DB	50
	600		HCP14506				
	800		HCP14508				
	1200		HCP145012N				
45	400	2PL	HCP23594	HCW59T()	HCW59T()D	HC4259DB	59
	600		HCP23596				
	800		HCP23598				
	1200		HCP235912N				
63	400	3PL	HCP32684	HCW68T()	HCW68T()D	HC4268DB	68
	600		HCP32686				
	800		HCP32688				
	1200		HCP326812N				
99	400	5PL	HCP50864	HCW86T()	HCW86T()D	HC4286DB	86
	600		HCP50866				
	800		HCP50868				
	1200		HCP508612N				
HCP Main Circuit Breaker [17]—Includes 3-pole Vertically mounted main circuit breaker—Suitable for use as service equipment with service barrier kit. [18] For main circuit breaker panel, order plug-on I-Line type PG, PJ, PL, MG, or MJ circuit breakers from page 9-57 through page 9-59 and back-fed as the main breaker (order solid neutral from page 9-47).							
36	600	2LC	HCP18686M	HCW68T()	HCW68T()D	HC4268DB	68
	800		HCP18688M				
72	600	4LC	HCP36866M	HCW86T()	HCW86T()D	HC4286DB	86
	800		HCP36868M				
HCR-U Universal Main Lugs or Main Circuit Breaker [19]—3-pole Suitable for use as service equipment when provided with a main circuit breaker and service barrier kit. For Main Lugs panel, order sub-feed lug kit catalog number S33930 and back-fed as main lugs. For Main Circuit Breaker panel, order plug-on I-Line type PG, PJ, PL, RGC, RJC, or RLC [19] circuit breakers from page 9-59 and page 9-60, and back-fed as the main circuit breaker. (Order solid neutral separately)							
108 [20]	1200	6PL or 3RLC	HCR548612U	HCR86T() [21]	HCR86T()D	HC4486DB	86

[10] JD circuit breakers with field installable ground fault kits may be mounted in type HCP, HCP-SU, and HCR-U panelboards as shown, and require L-frame mounting space.

[11] PG, PJ, and PL circuit breakers are available with both thermal-magnetic equivalent and MicroLogic trip. The MicroLogic circuit breakers are available 80% and 100% rated. "C" suffix denotes a 100% rating.

[12] When RL main circuit breakers with equipment ground fault are applied on a 3Ø4W system, order solid neutral catalog number HCR12SNCT. The HCR12SNCT includes a neutral current transformer.

[13] Order solid neutral from page 9-47.

[14] Add "F" for flush mount, "S" for surface mount.

[15] For 42 in. wide weatherproof enclosures, see Type 3R/5/12 Enclosures, page

[16] Add-on door kit available. Example: For HCW50TS trim kit, order HCW50D door kit.

[17] Circuit breaker interrupt ratings, see Interrupting Ratings Codes (kA), page 9-54.

[18] Suitable for use as service equipment if equipped with an integral main circuit breaker or when not more than six main disconnecting means are provided and the panelboard is not used as a lighting and appliance branch circuit panelboard. (Not applicable in Canada).

[19] When RL main circuit breakers with equipment ground fault are applied on a 3Ø4W system, order solid neutral catalog number HCR12SNCT. The HCR12SNCT includes a neutral current transformer.

[20] 15 in. of mounting space is taken up by the back-fed main lug kit or RG, RJ, RL main circuit breaker, leaving 93 in. of branch circuit breaker mounting space.

[21] Add-on door kit available. Example: For HCR86TS trim kit, order HCW86D door kit.

Table 9.104: Main Circuit Breaker Interiors —Standard Frame Types [22]

Main Circuit Breaker Ampacity	Panelboard Type	Factory Supplied Main Circuit Breaker
400	HCJ	LAP36400MB
600 or 800	HCJ, HCP	MGP36600 or MGP36800

Table 9.105: Type 3R/5R/12R Enclosures

Catalog Number	Interior Type	Dimensions (In.)		
		H	W	D
HC4250WP	HCP	50	43.19	12.95
HC4259WP	HCP	59	43.19	12.95
HC4268WP	HCP	68	43.19	12.95
HC4286WP	HCP	86	43.19	12.95
HC4486WP	HCR-U	86	45.19	14.63

Table 9.106: Standard Copper Bus Interiors

Type	Main Ampacity
HCJ, HCP-SU	800
HCP, HCR-U	800 and Above

NOTE: Merchandised copper interiors are not available in all ampacities.

Table 9.107: Circuit Breaker / Sub-feed Lug Kit Mounting Space Requirement

Type of Circuit Breaker	Maximum Ampacity	No. of Poles	Inch Mounting Requirements
BD, BG, BJ	125	1	1.5
BD, BG, BJ		2	3
BD, BG, BJ		3	4.5
HD, HG	150	2	3
HD, HG		3	4.5
HJ, HL, HR		2, 3	4.5
JD, JG, JJ, JL, JR, SL250	250	2, 3	4.5
LA, LH, SL400	400		6
LG, LJ, LL, LR	600		6
I-Line Enable	N/A		6
MG, MJ, SL800, PGC, PJC, PLC	800		9
PG, PJ, PL, S33931	1200		9
QB, QD, QG, QJ	225		2
QB, QD, QG, QJ		3	4.5
RG, RJ, RL, RGC, RJC, RLC, S33930	1200	2, 3	15

[22] Circuit breaker interrupt ratings, see [Interrupting Ratings Codes \(kA\)](#), page 9-54.

I-Line Merchandised Panelboard Accessories



Blank Fillers



Equipment Ground Bar



Solid Neutral

Table 9.108: I-Line Merchandised Panelboard Accessories

	Description	Catalog No.
	Blank Filler Kit—1.5 in. [23] (One kit contains quantity of 3 blank fillers.)	HNM1BL
	Blank Filler Kit—4.5 in. [23] (One kit contains quantity of 5 blank fillers.)	HNM4BL
	Equipment Ground Bar Kits—HCJ, HCP, HCP-SU (single row), HCR-U	PK32DGTA
	Blank Extensions (For replacement purposes)	
<p>Blank Extensions</p>	1.5 in. for mounting on wide side of I-Line panelboard used with HNM1BL and HNM4BL as a filler plate on the wide side of the panel (HCP, HCP-SU and HCRU). Do not use with MicroLogic trip unit as this filler will cover the trip unit.	HLW1BL (Kit contains quantity of 3.)
	4.5 in. for mounting on wide side of I-Line panelboard used with HNM1BL and HNM4BL as a filler plate on the wide side of the panel (HCP, HCP-SU and HCRU). Do not use with MicroLogic trip unit as this filler will cover the trip unit.	HLW4BL (Kit contains quantity of 5.)
	1.5 in. for mounting on narrow side of I-Line panelboard used with HNM1BL and HNM4BL as a filler plate on the narrow side of the panel. Do not use with MicroLogic trip unit as this filler will cover the trip unit.	HLN1BL (Kit contains quantity of 3.)
	4.5 in. for mounting on narrow side of I-Line panelboard used with HNM1BL and HNM4BL as a filler plate on the narrow side of the panel. Do not use with MicroLogic trip unit as this filler will cover the trip unit.	HLN4BL (Kit contains quantity of 5.)
	4.5 in. for mounting on wide side of I-Line panelboard. For use with PowerPact H and J circuit breakers mounted on the wide side of the panel so that electronic trip unit can be accessed.	HLW4EBL (Kit contains quantity of 5.)
	4.5 in. for mounting on narrow side of I-Line panelboard. For use with PowerPact H and J circuit breakers mounted on the narrow side of the panel so that electronic trip unit can be accessed.	HLN4EBL (Kit contains quantity of 5.)

[23] Blank extension and blank filler pricing is per kit. See note on kit number for number included in each kit.

Table 9.109: UL Service Entrance Barriers Kits for I-Line Panelboards with Back-fed Main Circuit Breaker^[24]

I-Line Panelboard Type	Back-fed Main Circuit Breaker	Catalog Number ^[25]
HCJ	H, J	ILBFMHCHJULC
HCP, HCP-SU	H, J	ILBFMHCPHJULC
	LA, LH, PowerPacT L	ILBFMHCPULC
	M, P	ILBFMHCPMPULC
HCR	LA, LH, PowerPacT L	ILBFMHCRULC
	M	ILBFMHCRMULC
	P	ILBFMHCRPULC
	R	ILBFMHCRRLC

NOTE: Barriers are required by 2017 version of NFPA70—National Electric Code. Both the 2017 UL67 and 2017 NFPA70 allow an exception for service entrance panelboards with more than one disconnect.

Table 9.110: Solid Neutral Lug Quantities and Sizes

Solid Neutral Assembly	Terminal Wire Range	Ampere Rating
HC2SN	(1) 6 - 300, (9) #1/0 - 14, (45) #4 - 14	225 A
HC4SN ^[26]	(7) 6 - 350, (45) #4 - 14	400 A
HC6SN ^[26]	(7) 6 - 350, (9) #1/0 - 14, (28) #4 - 14	600 A
HC8SN ^[26]	(7) 6 - 350, (9) #1/0 - 14, (34) #4 - 14	800 A
HCP5U8SN ^[27]	(4) 3/0 - 600, (7) 6 - 350, (9) #1/0 - 14, (34) #4 - 14,	800 A
HCW4SN ^[28]	(2) 4 - 600, (7) 6 - 350, (45) #4 - 14	400 A
HCW6SN ^[28]	(4) 3/0 - 750, (7) 6 - 350, (9) #1/0 - 14, (34) #4 - 14	600 A
HCW8SN ^[28]	(4) 3/0 - 750, (7) 6 - 350, (9) #1/0 - 14, (34) #4 - 14	800 A
HCW12SN ^[28]	(4) 3/0 - 750, (7) 6 - 350, (9) #1/0 - 14, (34) #4 - 14	1200 A
HCWM12SN ^[29]	(4) 3/0 - 750, (7) 6 - 350, (9) #1/0 - 14, (34) #4 - 14	1200 A
HC6SNALCU	(7) 6 - 350, (9) #1/0 - 14, (28) #4 - 14	600 A
HC8SNALCU	(7) 6 - 350, (9) #1/0 - 14, (34) #4 - 14	800 A
HCP5U8SNALCU	(4) 3/0 - 600, (7) 6 - 350, (9) #1/0 - 14, (34) #4 - 14	800 A
HCP4SNALCU	(2) 4 - 600, (7) 6 - 350, (45) #4 - 14	400 A
HCP6SNALCU	(4) 3/0 - 750, (7) 6 - 350, (9) #1/0 - 14, (34) #4 - 14	600 A
HCP8SNALCU	(4) 3/0 - 750, (7) 6 - 350, (9) #1/0 - 14, (34) #4 - 14	800 A
HCP12SNALCU	(4) 3/0 - 750, (7) 6 - 350, (9) #1/0 - 14, (34) #4 - 14	1200 A
HCR12SNALCU	(4) 3/0 - 750, (7) 6 - 350, (9) #1/0 - 14, (34) #4 - 14	1200 A
HC6SNCU	(7) 6 - 350, (9) #1/0 - 14, (28) #4 - 14	600 A
HC8SNCU	(7) 6 - 350, (9) #1/0 - 14, (28) #4 - 14	800 A
HCP5U8SNCU	(4) 3/0 - 600, (7) 6 - 350, (9) #1/0 - 14, (28) #4 - 14,	800 A
HCW4SNCU	(2) 2 - 600, (7) 6 - 350, (9) #1/0 - 14, (28) #4 - 14	400 A
HCW6SNCU	(2) 2 - 600, (7) 6 - 350, (9) #1/0 - 14, (28) #4 - 14	600 A
HCW8SNCU	(4) 3/0 - 750, (7) 6 - 350, (9) #1/0 - 14, (28) #4 - 14	800 A
HCP12SNCU	(4) 3/0 - 750, (7) 6 - 350, (9) #1/0 - 14, (28) #4 - 14	1200 A
HCW12SNCU	(7) 6 - 350, (9) #1/0 - 14, (28) #4 - 14	1200 A
HCR12SNCU	(4) 3/0 - 750, (7) 6 - 350, (9) #1/0 - 14, (28) #4 - 14	1200 A
HCP5U8SNCW ^[27]	(7) 6 - 350, (9) #1/0 - 14, (28) #4 - 14	800 A

Table 9.111: Panelboard Adapter Kits

Crimp Lug Adapter Kits ^[30]	I-Line Panelboard Type	
	HCJ	HCP, HCR-U ^[31]
400 A	HCM400VCA	HCW400VCA
600 A	HCM600VCA	HCW600VCA
800 A	HCM800VCA	HCW800VCA
1200 A	—	HCW1200VCA

^[24] For US only.

^[25] For panelboards manufactured after 1 January 2017.

^[26] Used on Type HCJ.

^[27] Used on Type HCP-SU (single row).


^[28] Used on 400 A, 600 A, 800 A, and 1200 A HCP (main lugs), and 600 A and 800 A (main circuit breaker).

^[29] Used on Type HCR-U.

^[30] For use with MLO panel, order VCEL lugs separately.

^[31] Not for use with P- or R-frame circuit breakers or sub-feed kits S33930 or S33931.

Table 9.112: Box Extensions

	Catalog Number	Interior Type	Extension
	HC2609DEX (F or S)	HCP-SU	9 in.
	HC3209EX (F or S)	HCJ	9 in.
	HC4212DEX (F or S)	HCP	12 in.
	HC4406DEX (F or S)	HCR-U	6 in.
	HC4412DEX (F or S)	HCR-U	12 in.

The Drip Hoods listed below are intended for use on surface mounted HC boxes only. Select the appropriate Drip Hood based on Interior Type, Width, and Depth from the following table. The Drip Hoods are designed to fit on the outside of the boxes. The Drip Hood will increase the enclosure rating of the box from Type 1 to Type 2. Reference Instruction Bulletin 80043-401-03.

Table 9.113: I-Line PanelBoard Drip Hood Kits

Catalog Number	Interior Type	Dimensions (In.)	
		Width	Depth
HCT2DH32D9	HCJ	32	9.5
HCT2DH42	HCP	42	9.5
HCT2DH26D9	HCP-SU	26	9.5
HCT2DH47	HCP (L5) ^[32]	47	9.5
HCT2DH56	HCP (PL) ^[33]	56	9.5
HCT2DH42D12	HCP (DB) ^[34]	42	12.5
HCT2DH44	HCR-U	44	9.5
HCT2DH49	HCR-U (L5) ^[32]	49	9.5
HCT2DH58	HCR-U (PL) ^[33]	58	9.5
HCT2DH44D12	HCR-U (DB) ^[34]	44	12.5

^[32] Box Types noted with (L5) are standard width boxes with an additional 5 in. side extension.

^[33] Box Types noted with (PL) are standard width boxes with an additional 14 in. PowerLogic extension.

^[34] Box Types noted with (DB) have additional box depth.



Sub-feed Lug Kits

Table 9.114: Sub-feed Lug Kits [35][36][37]

Ampere Rating	Height		Catalog Number	Max. Short Circuit System Ratings Available RMS Symmetrical Amperes			Protected by Circuit Breaker[38]	For Use in I-Line Panelboard Types
	In.	(mm)		240 Vac	480 Vac	600 Vac		
250 A	5	114	SL250	200,000	200,000	100,000	HD, HG, HJ, HL, HR, JD, JG, JJ, JL, JR	HCJ, HCP, HCP-SU, HCR-U
400 A	6	152	SL400 [37]	65,000	35,000	25,000	HD, HG, HJ, HL, HR, JD, JG, JJ, JL, JR, LA, LH,, LG, LJ, LL, LR (LR not available in HCJ) (“L” FRAME 400 A max.)	HCP, HCP-SU, HCR-U (wide side only)
800 A	9	229	SL800M5	200,000	200,000	100,000	HD, HG, HJ, HL, HR, JD, JG, JJ, JL, JR, LA, LH, MG, MJ, PG, PJ, PK, PL, LG, LJ, LL, LR (LR not available in HCJ)	HCJ, HCP, HCP-SU, HCR-U
1200 A[39]	15	381	S33930	125,000	100,000	50,000	HD, HG, HJ, HL, HR, JD, JG, JJ, JL, JR, LA, LH, MG, MJ, PG, PJ, PK, PL, RG, RJ, RL, RK, LG, LJ, LL, LR	HCR-U (HCP, HCP-SU)[39]
	9	229	SL1200P5 SL1200P6 SL1200P7	125,000	100,000	65,000	HD, HG, HJ, HL, HR, JD, JG, JJ, JL, JR, LA, LH, MG, MJ, PG, PJ, PK, PL, RG, RJ, RL, RK, LG, LJ, LL, LR	

Table 9.115: Sub-feed Lug kit terminal data

Catalog No. (Prefix)	No. Poles	Ampere Rating	Standard Lug Wire Size [40]
SL100	3	100	#14–1/0 AWG Cu or #12–1/0 AWG Al
SL250	3	250	(1) #4 AWG–300 kcmil
SL400	3	400	(1) #1 AWG–600 kcmil or 2– #1 AWG–250 kcmil
SL800M5	3	800	(3) #3/0 AWG–500 kcmil
S33930	3	1200	(4) #3/0 AWG–600 kcmil
SL1200P5	3	1200	(4) #3/0 AWG–500 kcmil
SL1200P6	3	1200	(3) 350–600 kcmil
SL1200P7	3	1200	(3) #3/0 AWG–750 kcmil
S33931	3	1200	(4) #3/0–600 kcmil Al/Cu

[35] Plug-on in same manner as a branch circuit breaker

[36] For other ratings, see the latest edition of I-Line Information Manual, #80043-309-20.

[37] SL400 cannot be used in HCJ panelboards due to inadequate wire bending space.

[38] Maximum SCCRs shown in this table are not available with all circuit breakers. Refer to Instruction Bulletin 80043-309-20 for the SCCR available for each circuit breaker in I-Line panelboards. PL is not allowed with 600 Vac.

[39] S33930, SL1200P5, SL1200P6, SL1200P7, Sub-feed Lug Kits are rated 1200 A and may be applied to 1200 ampere loads when installed in the HCR-U panelboards. However, when installed in the HCP and HCP-SU panelboards, they are only rated 800 amperes maximum due to restricted wire bending space. The addition of extended gutter spaces will not qualify these Sub-feed Lug Kits for higher amperage ratings without the completion of formal thermal analysis and probable testing. Must be protected by a circuit breaker rated not more than 1200 amperes.

[40] Unless otherwise specified, wire sizes apply to both aluminum and copper conductors.

PowerPacT™ B-frame, Thermal Magnetic
Accessories are located in Section 7 PowerPacT Accessories.

Table 9.116: B-frame Interrupting Ratings

	Interrupting Rating			
	D	G	J	K
240 Vac	25 kA	65 kA	100 kA	100 kA
480/277 Vac	18 kA	35 kA	65 kA	65 kA
480 Vac	18 kA	35 kA	65 kA	65 kA
600Y/347 Vac	14 kA	18 kA	25 kA	65 kA
1P 125 Vdc	10 kA	20 kA	50 kA	—
2-3P 250 Vdc	10 kA	20 kA	50 kA	—

Table 9.117: PowerPacT B-frame, 125 A max, Thermal Magnetic UL Circuit Breaker (PowerPacT B-frame 1-pole branch circuit breakers utilize 1.5 in. of I-Line mounting space, 2-pole branch circuit breakers utilize 3 in. of I-Line mounting space and 3-pole B-frame circuit breakers utilize 4.5 in. of I-Line mounting space.) Refer to Table 9.119 Phase Options Suffix Numbers for B/Q-frame Circuit Breakers, page 9-52 Example for phase options and suffix information.

D - SCCR					
	1-pole	2-pole	3-pole	Fixed AC Magnetic Trip	
Amps	277 Vac	480/277 Vac	480/277 Vac	Hold	Trip
15	BDA14015	BDA24015Y	BDA34015Y	400 A	600 A
20	BDA14020	BDA24020Y	BDA34020Y	400 A	600 A
25	BDA14025	BDA24025Y	BDA34025Y	400 A	600 A
30	BDA14030	BDA24030Y	BDA34030Y	400 A	600 A
35	BDA14035	BDA24035Y	BDA34035Y	400 A	600 A
40	BDA14040	BDA24040Y	BDA34040Y	400 A	600 A
45	BDA14045	BDA24045Y	BDA34045Y	400 A	600 A
50	BDA14050	BDA24050Y	BDA34050Y	480 A	720 A
60	BDA14060	BDA24060Y	BDA34060Y	640 A	960 A
70	BDA14070	BDA24070Y	BDA34070Y	640 A	960 A
80	BDA14080	BDA24080Y	BDA34080Y	800 A	1200 A
90	BDA14090	BDA24090Y	BDA34090Y	1000 A	1500 A
100	BDA14100	BDA24100Y	BDA34100Y	1000 A	1500 A
110	BDA14110	BDA24110Y	BDA34110Y	1000 A	1500 A
125	BDA14125	BDA24125Y	BDA34125Y	1000 A	1500 A

G - SCCR					
	1-pole	2-pole	3-pole	Fixed AC Magnetic Trip	
Amps	277 Vac	480/277 Vac	480/277 Vac	Hold	Trip
15	BGA14015	BGA24015Y	BGA34015Y	400 A	600 A
20	BGA14020	BGA24020Y	BGA34020Y	400 A	600 A
25	BGA14025	BGA24025Y	BGA34025Y	400 A	600 A
30	BGA14030	BGA24030Y	BGA34030Y	400 A	600 A
35	BGA14035	BGA24035Y	BGA34035Y	400 A	600 A
40	BGA14040	BGA24040Y	BGA34040Y	400 A	600 A
45	BGA14045	BGA24045Y	BGA34045Y	400 A	600 A
50	BGA14050	BGA24050Y	BGA34050Y	480 A	720 A
60	BGA14060	BGA24060Y	BGA34060Y	640 A	960 A
70	BGA14070	BGA24070Y	BGA34070Y	640 A	960 A
80	BGA14080	BGA24080Y	BGA34080Y	800 A	1200 A
90	BGA14090	BGA24090Y	BGA34090Y	1000 A	1500 A
100	BGA14100	BGA24100Y	BGA34100Y	1000 A	1500 A
110	BGA14110	BGA24110Y	BGA34110Y	1000 A	1500 A
125	BGA14125	BGA24125Y	BGA34125Y	1000 A	1500 A

J - SCCR					
	1-pole	2-pole	3-pole	Fixed AC Magnetic Trip	
Amps	347 Vac	600Y/347 Vac	600Y/347 Vac	Hold	Trip
15	BJA16015	BJA26015	BJA36015	400 A	600 A
20	BJA16020	BJA26020	BJA36020	400 A	600 A
25	BJA16025	BJA26025	BJA36025	400 A	600 A
30	BJA16030	BJA26030	BJA36030	400 A	600 A
35	BJA16035	BJA26035	BJA36035	400 A	600 A
40	BJA16040	BJA26040	BJA36040	400 A	600 A
45	BJA16045	BJA26045	BJA36045	400 A	600 A
50	BJA16050	BJA26050	BJA36050	480 A	720 A
60	BJA16060	BJA26060	BJA36060	640 A	960 A
70	BJA16070	BJA26070	BJA36070	640 A	960 A
80	BJA16080	BJA26080	BJA36080	800 A	1200 A
90	BJA16090	BJA26090	BJA36090	1000 A	1500 A
100	BJA16100	BJA26100	BJA36100	1000 A	1500 A
110	BJA16110	BJA26110	BJA36110	1000 A	1500 A
125	BJA16125	BJA26125	BJA36125	1000 A	1500 A



2-pole, 3 in. (6 mm)
Mounting Height



3-pole, 4.5 in. (114 mm)
Mounting Height

I-Line HQO Accessory

For phase option information see Table 9.119.

Table 9.118: QO™ Distribution Panel—240 Vac Max. Only Mounts in Type HCJ, HCP, HCP-SU, or HCR-U I-Line panelboards, 30 A max. branch circuit breaker.

Maximum No. 1-pole QO Circuit Breakers	Phase Connection	Mounting Height		2-pole Catalog Number	3-pole Catalog Number
		In.	mm		
6	AB	4.5	114	HQO206AB	—
6	BC	4.5	114	HQO206BC	—
6	AC	4.5	114	HQO206AC	—
6	ABC	4.5	114	—	HQO306
6	CBA	4.5	114	—	HQO306CBA

Table 9.119: Phase Options Suffix Numbers for B/Q-frame Circuit Breakers

Phase Option Number	Phase Connection	1-pole	2-pole	3-pole
1	A	BDA140151	—	—
3	B	BDA140153	—	—
5	C	BDA140155	—	—
1	AB	—	QBA220701	—
2	AC	—	QBA220702	—
3	BA	—	QBA220703	—
4	BC	—	QBA220704	—
5	CA	—	QBA220705	—
6	CB	—	QBA220706	—
Standard [41]	ABC	—	—	QBA32070
6	CBA	—	—	QBA320706

[41] The absence of a phase option number after a 3-pole catalog number will result in an ABC phase connection.

PowerPacT Q-frame for I-Line™ Panelboards and Switchboards

Table 9.120: PowerPacT™ Q-frame— 225 A, Thermal-magnetic (240 Vac)

(PowerPacT Q-frame 2-pole branch circuit breakers utilize 3 in. of I-Line mounting space and 3-pole Q-frame circuit breakers utilize 4.5 in. of I-Line mounting space.)



QB/QD/QG/QJ
Mounting Height
2-pole 3 in. [76 mm]



QB/QD/QG/QJ
Mounting Height
3-pole 4.5 in [114 mm]

Ampere Rating	AC Magnetic Trip Settings		"B" Interrupting	"D" Interrupting	"G" Interrupting	"J" Interrupting
	Hold	Trip	Catalog Number	Catalog Number	Catalog Number	Catalog Number [42]
2-pole, 240 Vac [43].						
70 A	1000	1800	QBA22070()	QDA22070()	QGA22070()	QJA22070()
80 A			QBA22080()	QDA22080()	QGA22080()	QJA22080()
90 A			QBA22090()	QDA22090()	QGA22090()	QJA22090()
100 A	1200	2400	QBA22100()	QDA22100()	QGA22100()	QJA22100()
110 A			QBA22110()	QDA22110()	QGA22110()	QJA22110()
125 A			QBA22125()	QDA22125()	QGA22125()	QJA22125()
150 A			QBA22150()	QDA22150()	QGA22150()	QJA22150()
175 A			QBA22175()	QDA22175()	QGA22175()	QJA22175()
200 A			QBA22200()	QDA22200()	QGA22200()	QJA22200()
225 A			QBA22225()	QDA22225()	QGA22225()	QJA22225()
3-pole, 240 Vac [44]						
70 A	1000	1800	QBA32070()	QDA32070()	QGA32070()	QJA32070()
80 A			QBA32080()	QDA32080()	QGA32080()	QJA32080()
90 A			QBA32090()	QDA32090()	QGA32090()	QJA32090()
100 A	1200	2400	QBA32100()	QDA32100()	QGA32100()	QJA32100()
110 A			QBA32110()	QDA32110()	QGA32110()	QJA32110()
125 A			QBA32125()	QDA32125()	QGA32125()	QJA32125()
150 A			QBA32150()	QDA32150()	QGA32150()	QJA32150()
175 A			QBA32175()	QDA32175()	QGA32175()	QJA32175()
200 A			QBA32200()	QDA32200()	QGA32200()	QJA32200()
225 A			QBA32225()	QDA32225()	QGA32225()	QJA32225()

See [45] below.

Table 9.121: Interrupt Ratings (kA)

	QB	QD	QG	QJ [42]
240 V	10	25	65	100
480 V	—	—	—	—
600 V	—	—	—	—

Padlock attachments for Q-frame are available.

[42] 3P circuit breakers are rated 65 kA at 240/120 Vac, 3Ø, 4-wire delta or 100 kA at 208Y/120 Vac, 3Ø, 4-wire.

[43] 2-pole QB, QD, QG, and QJ circuit breakers are completed by adding the required phasing numbers as indicated in the parentheses, see Table 9.119 on page 9-52

[44] 3-pole QB, QD, QG, and QJ circuit breakers for ABC phasing are complete without additional phasing number. For CBA phasing, complete the catalog number by inserting the number 6 in the parentheses.

[45] Replacement lugs are not available on QB, QD, QG, or QJ circuit breakers. Lugs for QB, QD, QG, or QJ circuit breakers accept one #4 AWG–300 kcmil. No accessories are available for PowerPacT Q Frame breakers.



HD/HG/HJ/HL/HR
2- and 3-pole Circuit Breaker



JD/JG/JJ/JL/JR
2- and 3-pole
Thermal-Magnetic Trip Unit

H- and J-frame for I-Line™ Panelboards and Switchboards

Table 9.122: H-frame 150 A Thermal-Magnetic UL Current-Limiting^[46] Circuit Breakers (600 Vac, 250 Vdc) With Factory Sealed Trip Unit^[47] Suitable for Reverse Connection^[47]

(PowerPacT HD and HG 2-pole circuit breakers utilize 3 in. of I-Line mounting space, HJ and HL 2-pole circuit breakers utilize 4.5 in. of I-Line mounting space, all 3-pole H and J-frame circuit breakers utilize 4.5 in. of I-Line mounting space.)

Current Rating @ 40° C	Fixed AC Magnetic Trip		Cat. No. ^[48]	Terminal Wire Range
	Hold	Trip		
H-frame, 150A 2P, 600 Vac 50/60 Hz, 250 Vdc^[49]				
15 A	350 A	750 A	H()A26015()	AL150HD 14–3/0 AWG Al or Cu
20 A	350 A	750 A	H()A26020()	
25 A	350 A	750 A	H()A26025()	
30 A	350 A	750 A	H()A26030()	
35 A	400 A	850 A	H()A26035()	
40 A	400 A	850 A	H()A26040()	
45 A	400 A	850 A	H()A26045()	
50 A	400 A	850 A	H()A26050()	
60 A	800 A	1450 A	H()A26060()	
70 A	800 A	1450 A	H()A26070()	
80 A	800 A	1450 A	H()A26080()	
90 A	800 A	1450 A	H()A26090()	
100 A	800 A	1700 A	H()A26100()	
110 A	900 A	1700 A	H()A26110()	
125 A	900 A	1700 A	H()A26125()	
150 A	900 A	1700 A	H()A26150()	
H-frame 150A 3P, 600 Vac 50/60 Hz, 250 Vdc				
15 A	350 A	750 A	H()A36015	AL150HD 14–3/0 AWG Al or Cu
20 A	350 A	750 A	H()A36020	
25 A	350 A	750 A	H()A36025	
30 A	350 A	750 A	H()A36030	
35 A	400 A	850 A	H()A36035	
40 A	400 A	850 A	H()A36040	
45 A	400 A	850 A	H()A36045	
50 A	400 A	850 A	H()A36050	
60 A	800 A	1450 A	H()A36060	
70 A	800 A	1450 A	H()A36070	
80 A	800 A	1450 A	H()A36080	
90 A	800 A	1450 A	H()A36090	
100 A	800 A	1700 A	H()A36100	
110 A	900 A	1700 A	H()A36110	
125 A	900 A	1700 A	H()A36125	
150 A	900 A	1700 A	H()A36150	

Table 9.124: J-frame 250 A Thermal-Magnetic UL Current-Limiting^[50] Circuit Breakers (600 Vac, 250 Vdc) With Factory Sealed Trip Unit^[47] Suitable for Reverse Connection^[47]

(All PowerPacT J-frame circuit breakers, both 2- and 3-pole, utilize 4.5 in. of I-Line mounting space.)

Current Rating @ 40°C	Adjustable AC Magnetic Trip		Cat. No. ^[48]	Terminal Wire Range
	Low	High		
J-frame 250A 2P, 600 Vac 50/60 Hz, 250 Vdc^[51]				
150 A	750 A	1500 A	J()A26150()	AL175JD 4–4/0 AWG Al or Cu
175 A	875 A	1750 A	J()A26175()	
200 A	1000 A	2000 A	J()A26200()	AL250JD 3/0 AWG–350 kcmil Al or Cu
225 A	1125 A	2250 A	J()A26225()	
250 A	1250 A	2500 A	J()A26250()	
J-frame 250A 3P, 600 Vac 50/60 Hz, 250 Vdc				
150 A	750 A	1500 A	J()A36150	AL175JD 4–4/0 AWG Al or Cu
175 A	875 A	1750 A	J()A36175	
200 A	1000 A	2000 A	J()A36200	AL250JD 3/0 AWG–350 kcmil Al or Cu
225 A	1125 A	2250 A	J()A36225	
250 A	1250 A	2500 A	J()A36250	

Table 9.123: Interrupting Ratings Codes (kA)

Voltage	D	G	J	L	R
240 V	25	65	100	125	200
480Y/277	18	35	65	100	200
480 V	18	35	65	100	200
600Y/347	14	18	25	50	100
600 V	14	18	25	50	100

[46] Circuit breakers with J and L interrupting ratings are UL certified as current limiting.

[47] See Supplemental Digest Section 3 for circuit breakers with field-interchangeable trip units.

[48] To complete catalog number, replace the blank with the appropriate interrupting rating (D, G, J, L).

[49] 2 pole circuit breaker catalog numbers are completed by adding the required phase connection number as a suffix see Table 9.131 H/J/L-Frame Circuit Breaker/Switch Phase Options—Example HDA26150(), page 9-56.

[50] Circuit breakers with J, L, and R interrupting ratings are UL certified as current limiting.

[51] 2 pole circuit breaker catalog numbers are completed by adding the required phase connection number as a suffix see Table 9.131 H/J/L-Frame Circuit Breaker/Switch Phase Options—Example HDA26150(), page 9-56



HDA36250U33X
2- and 3-pole
MicroLogic Electronic Trip Unit



JDA36250U44X
2- and 3-pole
MicroLogic Electronic Trip Unit

Table 9.125: H-frame 150 A and J-frame 250 A MicroLogic Electronic Trip UL Current-Limiting^[52] Circuit Breakers (600 Vac) With Factory Sealed Trip Unit^[53] Suitable for Reverse Connection^[54] (PowerPacT Electronic Trip H- and J-frame circuit breakers utilize 4.5 in. of I-Line mounting space.)

Electronic Trip Unit			Sensor Rating	Cat. No. ^[55]	Terminal
Type	Function	Trip Unit			
600 Vac, 50/60 Hz, 3P					
MicroLogic Standard	LI	3.2 ^[56]	60 A	H()A36060U31X	AL150HD ^[57]
			100 A	H()A36100U31X	
			150 A	H()A36150U31X	
			250 A	J()A36250U31X	AL250JD ^[58]
MicroLogic Ammeter	LSI	3.2S ^[56]	60 A	H()A36060U33X	AL150HD ^[57]
			100 A	H()A36100U33X	
			150 A	H()A36150U33X	
			250 A	J()A36250U33X	AL250JD ^[58]
MicroLogic Ammeter	LSI	5.2A	60 A	H()A36060U43X	AL150HD ^[57]
			100 A	H()A36100U43X	
			150 A	H()A36150U43X	
			250 A	J()A36250U43X	AL250JD ^[58]
MicroLogic Energy	LSI	5.2E	60 A	H()A36060U53X	AL150HD ^[57]
			100 A	H()A36100U53X	
			150 A	H()A36150U53X	
			250 A	J()A36250U53X	AL250JD ^[58]
MicroLogic Ammeter	LSIG	6.2A	60 A	H()A36060U44X	AL150HD ^[57]
			100 A	H()A36100U44X	
			150 A	H()A36150U44X	
			250 A	J()A36250U44X	AL250JD ^[58]
MicroLogic Energy	LSIG	6.2E	60 A	H()A36060U54X	AL150HD ^[57]
			100 A	H()A36100U54X	
			150 A	H()A36150U54X	
			250 A	J()A36250U54X	AL250JD ^[58]

Table 9.126: Interrupting Ratings Codes (kA)

Voltage	D	G	J	L	R
240 V	25	65	100	125	200
480 V	18	35	65	100	200
600 V	14	18	25	50	100

[52] Circuit breakers with J, L, and R interrupting ratings are UL certified as current limiting.
 [53] See Supplemental Digest Section 3 for circuit breakers with field-interchangeable trip units.
 [54] For applications requiring communications, see page .
 [55] To complete catalog number, replace the blank with the appropriate interrupting rating (D, G, J, L).
 [56] 3P circuit breakers with this trip unit can be used for 2P applications.
 [57] AL150HD wire range is 14–3/0 AWG Al or Cu.
 [58] AL250JD wire range is 3/0 AWG–350 kcmil Al or Cu. For smaller wire range (4–4/0 AWG Al or Cu), replace the lug's wire binding screws with the larger binding screws provided.

J-frame Mission Critical Circuit Breaker

Table 9.127: J-frame 250 A MicroLogic Electronic Trip Mission Critical Circuit Breakers (480/277 Vac) With Factory Sealed Trip Units Suitable for Reverse Connection^[59]

Electronic Trip Unit Type	Trip Function	Trip Unit	Continuous Current	D Interrupting	G Interrupting	J Interrupting	L Interrupting	Terminal
				Cat. No.	Cat. No.	Cat. No.	Cat. No.	
Standard	LI	3.2 W	250	JDA34250WU31X	JGA34250WU31X	JJA34250WU31X	JLA34250WU31X	AL250JD ^[60]
Standard	LSI	3.2S-W	250	JDA34250WU33X	JGA34250WU33X	JJA34250WU33X	JLA34250WU33X	AL250JD ^[60]
High Perf. Ammeter	LSI	5.2A-W	250	JDA34250WU43X	JGA34250WU43X	JJA34250WU43X	JLA34250WU43X	AL250JD ^[60]
High Perf. Energy	LSI	5.2E-W	250	JDA34250WU53X	JGA34250WU53X	JJA34250WU53X	JLA34250WU53X	AL250JD ^[60]
High perf. Ammeter	LSIG	6.2A-W	250	JDA34250WU44X	JGA34250WU44X	JJA34250WU44X	JLA34250WU44X	AL250JD ^[60]
High Perf. Energy	LSIG	6.2E-W	250	JDA34250WU54X	JGA34250WU54X	JJA34250WU54X	JLA34250WU54X	AL250JD ^[60]

L-frame Mission Critical Circuit Breaker

Table 9.128: L-frame 600 A MicroLogic Electronic Trip Mission Critical Circuit Breakers (480/277 Vac) With Factory Sealed Trip Units Suitable for Reverse Connection^[59]

Electronic Trip Unit Type	Trip Function	Trip Unit	Continuous Current	G Interrupting	J Interrupting	L Interrupting	Terminal
				Cat. No.	Cat. No.	Cat. No.	
Standard	LI	3.3 W	250	LGA34250WU31X	LJA34250WU31X	LLA34250WU31X	AL400L61K3 ^[61]
			400	LGA34400WU31X	LJA34400WU31X	LLA34400WU31X	AL600LF52K3 ^[62]
			600	LGA34600WU31X	LJA34600WU31X	LLA34600WU31X	AL600LF52K3 ^[62]
Standard	LSI	3.3S-W	250	LGA34250WU33X	LJA34250WU33X	LLA34250WU33X	AL400L61K3 ^[61]
			400	LGA34400WU33X	LJA34400WU33X	LLA34400WU33X	AL600LF52K3 ^[62]
			600	LGA34600WU33X	LJA34600WU33X	LLA34600WU33X	AL600LF52K3 ^[62]
High Perf. Ammeter	LSI	5.3A-W	400	LGA34400WU43X	LJA34400WU43X	LLA34400WU43X	AL600LF52K3 ^[62]
			600	LGA34600WU43X	LJA34600WU43X	LLA34600WU43X	AL600LF52K3 ^[62]
			400	LGA34400WU53X	LJA34400WU53X	LLA34400WU53X	AL600LF52K3 ^[62]
High Perf. Energy	LSI	5.3E-W	600	LGA34600WU53X	LJA34600WU53X	LLA34600WU53X	AL600LF52K3 ^[62]
			400	LGA34400WU44X	LJA34400WU44X	LLA34400WU44X	AL600LF52K3 ^[62]
			600	LGA34600WU44X	LJA34600WU44X	LLA34600WU44X	AL600LF52K3 ^[62]
High Perf. Energy	LSIG	6.3A-W	400	LGA34400WU54X	LJA34400WU54X	LLA34400WU54X	AL600LF52K3 ^[62]
			600	LGA34600WU54X	LJA34600WU54X	LLA34600WU54X	AL600LF52K3 ^[62]
			600	LGA34600WU54X	LJA34600WU54X	LLA34600WU54X	AL600LF52K3 ^[62]

Table 9.129: PowerPact™ H-, J-, and L-frame Automatic Molded Case Switches, 600 Vac

Circuit Breaker	Poles	Ampere Rating	G Withstand		L Withstand		R Withstand		Terminal	Wire Range
			Cat. No.	Trip Point	Cat. No.	Trip Point	Cat. No.	Trip Point		
H-frame J-frame	2 ^[63]	150 A	HGA26000S15()	2250 A	HLA26000S15	2250 A	—	—	—	—
		175 A	JGA26000S17()	3125 A	JLA26000S17	3125 A	—	—	—	—
		250 A	JGA26000S25()	3125 A	JLA26000S25	3125 A	—	—	—	—
	3	150 A	HGA36000S15	2250 A	HLA36000S15	2250 A	HRA36000S15	2250 A	AL150HD	14 AWG–3/0 AWG Al/Cu
		175 A	JGA36000S17	3125 A	JLA36000S17	3125 A	JRA36000S17	3125 A	AL175JD	4–4/0 AWG Al/Cu
		250 A	JGA36000S25	3125 A	JLA36000S25	3125 A	JRA36000S25	3125 A	AL250JD	3/0 AWG–350 kcmil Al/Cu
L-frame	3	400 A	LGA36000S40X	4800 A	LLA36000S40X	4800 A	LRA36000S40X	4800 A	AL150HD	AL600LS52K3
		600 A	LGA36000S60X	6600 A	LLA36000S60X	6600 A	LRA36000S60X	6600 A	AL250JD	(2) 2/0 AWG–500 kcmil Al/Cu

H-, J-, and L-frame accessories starting on PowerPact Accessories, page .
H-, J-, and L-frame dimensions starting on Molded Case Circuit Breaker Dimensions, page .
H-, J-, and L-frame optional lugs Mechanical Lugs, page .

Table 9.130: Interrupting Ratings Codes (kA)

Voltage	D	G	J	L	R
240 V	25	65	100	125	200
480Y/277	18	35	65	100	200
480 V	18	35	65	100	200
600Y/347	14	18	25	50	100
600 V	14	18	25	50	100

Table 9.131: H/J/L-Frame Circuit Breaker/Switch Phase Options —Example HDA26150()

Phase Option Number	Phase Connection	2-pole	3-pole
1	AB	HDA261501	—
2	AC	HDA261502	—
3	BA	HDA261503	—
4	BC	HDA261504	—
5	CA	HDA261505	—
6	CB	HDA261506	—
Standard	ABC	—	JDA34250WU31X
6	CBA	—	JDA34250WU31X6

[59] Standard rated (80%). Not available in 100% rated.

[60] AL250JD terminal wire range is (1) 3/0 AWG–350 kcmil Al or Cu.

[61] AL400L61K3 terminal wire range is (1) #2 AWG–500 kcmil Al or #2 AWG–600 kcmil Cu..

[62] AL600LF52K3 terminal wire range is (2) #3/0 AWG–500 kcmil Al or Cu.

[63] 2-pole circuit breaker catalog numbers are completed by adding the required phase connection number as a suffix, see Table 9.131 H/J/L-Frame Circuit Breaker/Switch Phase Options—Example HDA26150(), page 9-56.

LA/LH-frame Thermal Magnetic Circuit Breakers
L-frame circuit breaker utilizes 6 in. of available I-Line bus

Table 9.132: L-frame—400 A, Thermal-magnetic (600 Vac)



LA36400 2- and 3-pole Circuit Breaker

Ampere Rating	AC Magnetic Trip Settings		Standard Interrupting	High Interrupting	Terminal Wire Range
	Low	High	Catalog Number	Catalog Number	
2-pole, 600 Vac, 250 Vdc [64]					
125 A	625	1250	LA26125()	LH26125()	AL400LA (1) #1 AWG–600 kcmil or (2) #1 AWG–250 kcmil AL or Cu
150 A	750	1500	LA26150()	LH26150()	
175 A	875	1750	LA26175()	LH26175()	
200 A	1000	2000	LA26200()	LH26200()	
225 A	1125	2250	LA26225()	LH26225()	
250 A	1250	2500	LA26250()	LH26250()	
300 A	1500	3000	LA26300()	LH26300()	
350 A	1750	3500	LA26350()	LH26350()	
400 A	2000	4000	LA26400()	LH26400()	
3-pole, 600 Vac, 250 Vdc					
125 A	625	1250	LA36125	LH36125	AL400LA (1) #1 AWG–600 kcmil or (2) #1 AWG–250 kcmil AL or Cu
150 A	750	1500	LA36150	LH36150	
175 A	875	1750	LA36175	LH36175	
200 A	1000	2000	LA36200	LH36200	
225 A	1125	2250	LA36225	LH36225	
250 A	1250	2500	LA36250	LH36250	
300 A	1500	3000	LA36300	LH36300	
350 A	1750	3500	LA36350	LH36350	
400 A	2000	4000	LA36400	LH36400	

LA circuit breaker accessories can be found in Supplemental Digest Section 3.

LA circuit breaker dimensions can be found in Digest Section 7.

Mechanical lug kits for LA, LH, and Q4 circuit breakers can be found in Supplemental Digest Section 3.

Table 9.133: Interrupt Ratings (kA)

	LA	LH
240 V	42	65
480 V	30	35
600 V	22	25

PowerPacT L- and M-frame for I-Line™ Panelboards and Switchboards

Table 9.134: L-frame 600 A Circuit Breakers with Lugs and Factory-Sealed Electronic Trip Units Suitable for Reverse Connection [65]
(L-frame circuit breaker utilizes 6 in. of available I-Line bus)



PowerPacT L-Frame
LG/LJ/LR/LR
2- and 3-pole
4.5 in. (114 mm)

Electronic Trip Unit			Sensor Rating	Catalog Number [66]	Terminal
Type	Function	Trip Unit			
600 Vac, 53/60 Hz, 3P					
MicroLogic Standard	LI	3.3 [67]	250 A	L()A36250U31X	AL400L61K3 [68]
			400 A	L()A36400U31X	AL600LF52K3 [69]
			600 A	L()A36600U31X	(2) 3/0–500 kcmil AL or Cu.
MicroLogic Standard	LSI	3.3S [67]	250 A	L()A36250U33X	AL400L61K3 [68]
			400 A	L()A36400U33X	AL600LF52K3 (2) 3/0–500 kcmil AL or Cu.
			600 A	L()A36600U33X	
MicroLogic Ammeter	LSI	5.3A	400 A	L()A36400U43X	
			600 A	L()A36600U43X	
MicroLogic Energy	LSI	5.3E	400 A	L()A36400U53X	
			600 A	L()A36600U53X	
MicroLogic Ammeter	LSIG	6.3A	400 A	L()A36400U44X	
			600 A	L()A36600U44X	
MicroLogic Energy	LSIG	6.3E	400 A	L()A36400U54X	
			600 A	L()A36600U54X	

Table 9.135: Interrupt Ratings Codes (kA) for PowerPacT L and M Frames

	G	J	L [70]	R
240 V	65	100	125	200
480 V	35	65	100	200
600 V	18	25	50	100

[64] 2-pole circuit breaker catalog numbers are completed by adding required phase connection letters as suffix to catalog number. See Table 9.131 H/J/L-Frame Circuit Breaker/Switch Phase Options—Example HDA26150(), page 9-56.

[65] See Supplemental Digest page 3-4 for circuit breakers with field-interchangeable trip units.

[66] For 100% rated circuit breakers (250 A and 400 A only), add a “C” in the 9th character place (for example, LRA36400CU31X). To complete catalog number, replace the blank with the appropriate interrupting rating (G, J, L or R).

[67] 3P circuit breakers with this trip unit can be used for 2P applications.

[68] AL400L61K3 terminal wire ranges are (1) 2 AWG–600 kcmil Cu or (1) 2 AWG–500 kcmil AL.

[69] AL600LF52K3 terminal wire range is (2) 3/0–500 kcmil.

[70] L interrupting rating is not available in M-frame.

Table 9.136: M-Frame 800 A, Basic Electronic Trip System Type ET 1.0^[71] Factory-Sealed Trip Unit (PowerPact M-frame circuit breakers utilize 9 in. of the available I-Line bussing.)

Electronic Trip Unit		Ampere Rating	Adjustable Instantaneous Trip Range		Interrupting Rating		Terminal Wire Range
Type	Function		Low	High	G	J	
2P, 600 Vac 50/60 Hz^[72]							
Basic	Fixed Long-time, Adjustable Instantaneous Trip	400 A	800	4000	MGA26400()	MJA26400()	(3) 3/0 through 500 kcmil Al or Cu
		600 A	1200	6000	MGA26600()	MJA26600()	(3) 3/0 through 500 kcmil Al or Cu
3P, 600 Vac 50/60 Hz							
Basic	Fixed Long-time, Adjustable Instantaneous Trip	400 A	800	4000	MGA36400	MJA36400	(3) 3/0 through 500 kcmil Al or Cu
		600 A	1200	6000	MGA36600	MJA36600	(3) 3/0 through 500 kcmil Al or Cu

Table 9.137: M-Frame 800 A, Adjustable Amperage Electronic Trip Unit

Electronic Trip Unit		Adjustable Long-Time Settings	Adjustable Instantaneous		Interrupting Rating		Terminal Wire Range
Type	Function		Low	High	G	J	
2P, 600 Vac 50/60 Hz^[72]							
Basic	Adjustable Long-time, Adjustable Instantaneous Trip	300–800	2x	10x	MGA26800()E10	MJA26800()E10	(3) 3/0 through 500 kcmil Al or Cu
3P, 600 Vac 50/60 Hz							
Basic	Adjustable Long-time, Adjustable Instantaneous Trip	300–800	2x	10x	MGA36800E10	MJA36800E10	(3) 3/0 through 500 kcmil Al or Cu

L-frame accessories, see PowerPact Accessories in Section 7 of the Digest.
L-frame dimensions, see Molded Case Circuit Breaker Dimensions in Section 7 of the Digest.
L-frame optional lugs, see Mechanical Lugs in Section 7 of the Digest.

M-frame accessories, see PowerPact Accessories in Section 7 of the Digest.
M-frame dimensions, see Molded Case Circuit Breaker Dimensions in Section 7 of the Digest.
M-frame optional lugs, see Mechanical Lugs in Section 7 of the Digest.

Table 9.138: Automatic Molded Case Switches—600 Vac, 50/60 Hz

Ampere Rating	2-pole	3-pole	Withstand Rating ^[73]			Trip Point Amperes	Terminal Wire Range
	Catalog Number ^[72]	Catalog Number	240 Vac	480 Vac	600 Vac	AC	
600 A	PJA26000S60()	PJA36000S60	100	65	25	10000	(3) 3/0 through 500 kcmil Al or Cu
800 A	PJA26000S80()	PJA36000S80	100	65	25	10000	
1000 A	PJA26000S10()	PJA36000S10	100	65	25	10000	
1200 A	PJA26000S12()	PJA36000S12	100	65	25	10000	(4) 3/0 through 500 kcmil Al or Cu

Table 9.139: PowerPact P- and R-frame Interrupt Ratings Codes

Voltage	P-frame Interrupt Rating				R-frame Interrupt Rating			
	G	J	K	L	G	J	K	L
240 Vac	65 kA	100 kA	65 kA	125 kA	65 kA	100 kA	65 kA	125 kA
480 Vac	35 kA	65 kA	50 kA	100 kA	35 kA	65 kA	65 kA	100 kA
600 Vac	18 kA	25 kA	50 kA	25 kA	18 kA	25 kA	65 kA	50 kA



PG/PJ/PK/PL
2- and 3-pole



RG/RJ/RK/RL
2- and 3-pole

[71] The ET 1.0 trip unit cannot be field replaced. The Basic Electronic ET1.0 trip unit (offered in 400 A and 600 A only) does not allow adjustment of the long time trip point setting. It is considered an electronic equivalent of a thermal-magnet circuit breaker.

[72] Fill in parentheses with the following phase connection options: (2) for AC or (5) for CA.

[73] The withstand rating is the fault current, at rated voltage, that the molded case switch will withstand without damage when protected by a circuit breaker with an equal ampere rating.

PowerPacT P- and R-frame for I-Line™ Panelboards and Switchboards

Table 9.140: PowerPacT P-frame 1200 A (600 Vac, 50/60 Hz) 3P Circuit Breaker with Electronic Trip Unit (PowerPacT P-frame circuit breakers utilize 9 in. of the available I-Line bussing.)

Electronic Trip Unit			Sensor Rating	Cat. No. [74][75][76][77]	Terminal Wire Range
Type	Function	Code			
Basic Electronic Trip Unit (Not Interchangeable)	Fixed long-time, Adjustable Instantaneous	ET1.0I	600 A	P()A36060	(3) 3/0 AWG–500 kcmil Al or Cu AL800M23K
			800 A	P()A36080	
			1000 A	P()A36100	(4) 3/0 AWG–500 kcmil Al or Cu AL1200P24K
			1200 A	P()A36120	
MicroLogic Interchangeable Standard Trip Unit	LI	3.0	250 A	P()A36025(C)U31A	(3) 3/0 AWG–500 kcmil Al or Cu AL800M23K
			400 A	P()A36040(C)U31A	
			600 A	P()A36060(C)U31A	
			800 A	P()A36080(C)U31A	
			1000 A	P()A36100U31A	
			1200 A	P()A36120U31A	
	LSI	5.0	250 A	P()A36025(C)U33A	(3) 3/0 AWG–500 kcmil Al or Cu AL800M23K
			400 A	P()A36040(C)U33A	
			600 A	P()A36060(C)U33A	
			800 A	P()A36080(C)U33A	
			1000 A	P()A36100U33A	
			1200 A	P()A36120U33A	
MicroLogic Interchangeable Ammeter Trip Unit	LI	3.0A	250 A	P()A36025(C)U41A	(3) 3/0 AWG–500 kcmil Al or Cu AL800M23K
			400 A	P()A36040(C)U41A	
			600 A	P()A36060(C)U41A	
			800 A	P()A36080(C)U41A	
			1000 A	P()A36100U41A	
			1200 A	P()A36120U41A	
	LSI	5.0A	250 A	P()A36025(C)U43A	(3) 3/0 AWG–500 kcmil Al or Cu AL800M23K
			400 A	P()A36040(C)U43A	
			600 A	P()A36060(C)U43A	
			800 A	P()A36080(C)U43A	
			1000 A	P()A36100U43A	
			1200 A	P()A36120U43A	
	LSIG	6.0A	250 A	P()A36025(C)U44A	(3) 3/0 AWG–500 kcmil Al or Cu AL800M23K
			400 A	P()A36040(C)U44A	
			600 A	P()A36060(C)U44A	
			800 A	P()A36080(C)U44A	
			1000 A	P()A36100U44A	
			1200 A	P()A36120U44A	
MicroLogic Interchangeable Power Trip Unit	LSI	5.0P	250 A	P()A36025(C)U63AE1	(3) 3/0 AWG–500 kcmil Al or Cu AL800M23K
			400 A	P()A36040(C)U63AE1	
			600 A	P()A36060(C)U63AE1	
			800 A	P()A36080(C)U63AE1	
			1000 A	P()A36100U63AE1	
			1200 A	P()A36120U63AE1	
	LSIG	6.0P	250 A	P()A36025(C)U64AE1	(3) 3/0 AWG–500 kcmil Al or Cu AL800M23K
			400 A	P()A36040(C)U64AE1	
			600 A	P()A36060(C)U64AE1	
			800 A	P()A36080(C)U64AE1	
			1000 A	P()A36100U64AE1	
			1200 A	P()A36120U64AE1	
MicroLogic Interchangeable Harmonic Trip Unit	LSI	5.0H	250 A	P()A36025(C)U73AE1	(3) 3/0 AWG–500 kcmil Al or Cu AL800M23K
			400 A	P()A36040(C)U73AE1	
			600 A	P()A36060(C)U73AE1	
			800 A	P()A36080(C)U73AE1	
			1000 A	P()A36100U73AE1	
			1200 A	P()A36120U73AE1	
	LSIG	6.0H	250 A	P()A36025(C)U74AE1	(3) 3/0 AWG–500 kcmil Al or Cu AL800M23K
			400 A	P()A36040(C)U74AE1	
			600 A	P()A36060(C)U74AE1	
			800 A	P()A36080(C)U74AE1	
			1000 A	P()A36100U74AE1	
			1200 A	P()A36120U74AE1	

[74] To complete the catalog number, replace the blank () with the appropriate interrupt rating (G, J, K, or L).

[75] For 100% rated circuit breakers add a "C" in the 9th character place. For example, the catalog number for a 100% standard-type trip unit with LI trip functions at 250 A would be PGA36025CU31A.

[76] The L interrupt rating is supplied in 480 V only. Change the 5th character (voltage rating) from a 6 (600 V) to a 4 (480 V); for example, PLA34025U31A.

[77] See Table 9.139 PowerPacT P- and R-frame Interrupt Ratings, page 9-58 for interrupt ratings.

Table 9.141: PowerPacT R-frame 1200 A (600 Vac, 50/60 Hz) 3P Circuit Breaker with Electronic Trip Unit

Electronic Trip Unit			Sensor Rating	Cat. No. [78][79][80][81]	Terminal Wire Range
Type	Function	Code			
Basic Electronic Trip Unit (Not Interchangeable)	Fixed Long-Time, Adjustable Instantaneous	ET1.01	1200 A	R()A36120	AL1200R53K (4) 3/0-600 kcmil Al or Cu
MicroLogic Interchangeable Standard Trip Unit	LI	3.0	1000 A	R()A36100CU31A	
			1200 A	R()A36120CU31A	
	LSI	5.0	1000 A	R()A36100CU33A	
			1200 A	R()A36120CU33A	
MicroLogic Interchangeable Ammeter Trip Unit	LI	3.0A	1000 A	R()A36100CU41A	
			1200 A	R()A36120CU41A	
	LSI	5.0A	1000 A	R()A36100CU43A	
			1200 A	R()A36120CU43A	
	LSI	6.0A	1000 A	R()A36100CU44A	
			1200 A	R()A36120CU44A	
MicroLogic Interchangeable Power Trip Unit	LSI	5.0P	1000 A	R()A36100CU63AE1	
			1200 A	R()A36120CU63AE1	
	LSIG	6.0P	1000 A	R()A36100CU64AE1	
			1200 A	R()A36120CU64AE1	
MicroLogic Interchangeable Harmonic Trip Unit	LSI	5.0H	1000 A	R()A36100CU73AE1	
			1200 A	R()A36120CU73AE1	
	LSIG	6.0H	1000 A	R()A36100CU74AE1	
			1200 A	R()A36120CU74AE1	

P- and R-frame accessories, see PowerPacT Accessories in Section 7 of the Digest.
 P- and R-frame dimensions, see Molded Case Circuit Breaker Dimensions in Section 7 of the Digest.
 P- and R-frame trip unit options, see MicroLogic Electronic Trip Units in Section 7 of the Digest.
 P- and R-frame optional lugs, see Mechanical Lugs in Section 7 of the Digest.
 P- and R-frame alternate rating plugs, see MicroLogic Electronic Trip Units in Section 7 of the Digest.

I-Line™ Factory Assembled Panelboards

Table 9.142: I-Line 200% Rated Neutral—Standard Terminal Configuration

Panel Type	Ampacity	Type	Branch Space		Neutral Terminals Quantity and Size		Type 1 Enclosure					
			In.	mm	Main	Branch	H		W		D	
							In.	mm	In.	mm	In.	mm
HCJ	600 A	MLO	72	1829	(8) 750 kcmil	(35) 350 kcmil, (9)#14-1/0, (17)#14-#4	91	2311	32	813	9.50	210
	600 A (MG, MJ)	M/B	72	1829	(8) 750 kcmil		91	2311	32	813	9.50	241
	800 A	MLO	72	1829	(8) 750 kcmil		91	2311	32	813	9.50	210
	800 A (MG, MJ)	M/B	72	1829	(8) 750 kcmil		91	2311	32	813	9.50	241
HCR-U [82]	1200A	M/B, MLO	108	2743	(8) 750 kcmil	(8) 600 kcmil, (15) 350 kcmil (9) #14-1/0, (17)#14-#4	86	2184	44	1118	9.50	241
HCP	600A	M/B, MLO	63	1600	(8) 750 kcmil	(35) 350 kcmil, (9)#14-1/0, (17)#14-#4	68	1727	42	1067	9.50	241
	800A	M/B, MLO	99	2515	(8) 750 kcmil	(35) 350 kcmil, (9)#14-1/0, (17)#14-#4	86	2184	42	1067	9.50	241
HCP-SU [83]	800A	M/B, MLO	54	1371	(8) 750 kcmil	(8) 750 kcmil, (21) 350 kcmil, (9) #14-1/0, (17) #14-#4	86	2184	26	660	9.5	241

[78] To complete the catalog number, replace the blank () with the appropriate interrupt rating (G, J, K, or L).
 [79] For 100% rated circuit breakers add a "C" in the 9th character place. For example, the catalog number for a 100% standard-type trip unit with LI trip functions at 250 A would be PGA36025CU31A.
 [80] The L interrupt rating is supplied in 480 V only. Change the 5th character (voltage rating) from a 6 (600 V) to a 4 (480 V); for example, PLA34025U31A.
 [81] See Table 9.139 PowerPacT P- and R-frame Interrupt Ratings, page 9-58 for interrupt ratings.
 [82] 6 in. enclosure extension is required for HCRU I-Line panelboard.
 [83] 9 in. enclosure extension is required for HCP-SU I-Line panelboard.

Panelboard Special Features

- **Main circuit breaker without overload trip** — Automatic Molded Case Switch (Not UL Listed)
- **Shunt Trip Circuit Breakers**
- **Other Special Features** — For information on the following special features, please see the Supplemental and Obsolescence Digest.
 - PowerLogic™ metering [1]
 - Customer equipment space (NQ and NF) [1]
 - Increased box depth [1]
 - Increased gutters—top, bottom, and sides [1]
 - Non-standard paint [1]
 - Welded base channel [1]
 - Type 1 gasketed [1]
 - Type 2 drip hood [1]
 - Type 3R/4/4X/5/12 stainless steel enclosure [1]
 - Type 4X fiberglass enclosure [1]
 - Stainless steel trim front [1][1]
 - Padlockable hasp [1]
 - Special locks (Corbin, Yale, Best) [1]
 - Equal height boxes [1]
 - Common trim to cover two equal height boxes [1]
 - Panelboard skirt—hides conduits feeding a panelboard [1]
 - Panelboard wireway—for terminating conduit in wireway endwall [1]
 - Keyed mechanical interlocking of two or more circuit breakers (I-Line) [1]
 - Motor operators (I-Line only)
 - Panelboard interiors and special fronts to fit existing boxes
 - A standard panelboard box has one blank endwall and one with knockouts. Blank endwalls or knockouts in both endwalls are also available [1]

I-Line Terminal Data

Table 9.143: Standard Mechanical Lugs—Main Lugs

Panel Type	Ampere Rating	Wire Range Wire Bending Space per NEC Table 312-6 [2]
I-Line	100 A	—
	225 A	(1) #6–300 kcmil Al or Cu
	400 A	(1) #2–600 kcmil Al or Cu (2) #2–500 kcmil Al or Cu
	600 A	(2) #2–500 kcmil Al or Cu
	800 A	(3) 3/0–500 kcmil Al or Cu
	1200 A	(4) 3/0–500 kcmil Al or Cu

Table 9.144: Standard Mechanical Lugs—Main Circuit Breaker

Panel Type	Ampere Rating	Circuit Breaker Type	Wire Range Wire Bending Space per NEC Table 312-6 [2]
I-Line	125 A	BD, BG, BJ	(1) #14–#2/0 AWG Al or Cu
	150 A	HD, HG, HJ, HL	(1) #14–3/0 Al or Cu
	250 A	JD, JG, JJ, JL	(1) #1/0–300 kcmil Al or Cu
	400 A	LA, LH	(1) #1–600 kcmil Al or Cu
	800 A	MG, MJ, PG, PJ, PL	(3) 3/0–500 kcmil Al or Cu
	1200 A	PG, PJ, PL, RGC, RJC, RLC	(4) 3/0–500 kcmil Al or Cu

[1] Supported by the Panelboard Product Selector.

[2] (#) = Number of conductors per phase.

New!

I-Line Enable Modules for I-Line Panelboards

I-Line Enable Modules (formerly known as Smart Cells) are a space-saving module for value-added digital solutions. The self-contained unit fits onto the I-Line bus using only a 6-inch circuit breaker mounting space and using the same mounting as a circuit breaker. This allow the I-Line panelboard to be transformed into a digital communication or metered electrical distribution solution with enhanced protection now or in the future.

I-Line Enable modules are available for:

- IFM Modbus serial network communications interface
- Energy Reduction Maintenance Setting (ERMS)
- Maintenance Mode Switch (MMS)
- PM5563 or PM8244 meter with or without communications
- Universal Panel Server Gateway and Data Logger for Ethernet networking or cloud-based solutions

For more information, refer to Handout (document number 2700HO1501) or Instruction Bulletin (document number JYT97577). See [I-Line Enable Modules](#) for additional product information.

Table 9.145: Energy Reduction Maintenance Setting (ERMS)

Catalog Number	Voltage Vac	Features	No. of circuit breakers the unit will communicate to as standard	No. of additional circuit breakers the unit can communicate to with added Field Kit	Total possible No. of circuit breakers per module
ICW-L2222ERMS	120–240	For mounting on wide side, when wide side of I-Line panelboard is mounted on left, ERMS - Ethernet communications	1	0	1
IC-WR2222ERMS	120–240	For mounting on wide side, when wide side of I-Line panelboard is mounted on right, ERMS - Ethernet communications	1	0	1
ICW-L2422ERMS	277–480	For mounting on wide side, when wide side of I-Line panelboard is mounted on left, ERMS - Ethernet communications	1	0	1
IC-WR2422ERMS	277–480	For mounting on wide side, when wide side of I-Line panelboard is mounted on right, ERMS - Ethernet communications	1	0	1
ICW-L2222ERM2	120–240	For mounting on wide side, when wide side of I-Line panelboard is mounted on left, ERMS - Modbus communications	2	2 (IFMs)	4
IC-WR2222ERM2	120–240	For mounting on wide side, when wide side of I-Line panelboard is mounted on right, ERMS - Modbus communications	2	2 (IFMs)	4
ICW-L2422ERM2	277–480	For mounting on wide side, when wide side of I-Line panelboard is mounted on left, ERMS - Modbus communications	2	2 (IFMs)	4
IC-WR2422ERM2	277–480	For mounting on wide side, when wide side of I-Line panelboard is mounted on right, ERMS - Modbus communications	2	2 (IFMs)	4
ICW-L2622ERM2	600	For mounting on wide side, when wide side of I-Line panelboard is mounted on left, ERMS - Modbus communications	1	0	1
IC-WR2622ERM2	600	For mounting on wide side, when wide side of I-Line panelboard is mounted on right, ERMS - Modbus communications	1	0	1



ERMS module

Table 9.146: Maintenance Mode Switch (MMS)

Catalog Number	Voltage Vac	Features
ICNL2222MMS	120–240	For mounting on narrow side, when narrow side of I-Line panelboard is mounted on left, Maintenance Mode Switch
ICNR2222MMS	120–240	For mounting on narrow side, when narrow side of I-Line panelboard is mounted on right, Maintenance Mode Switch
ICNL2422MMS	277–480	For mounting on narrow side, when narrow side of I-Line panelboard is mounted on left, Maintenance Mode Switch
ICNR2422MMS	277–480	For mounting on narrow side, when narrow side of I-Line panelboard is mounted on right, Maintenance Mode Switch
ICWL2222MMS	120–240	For mounting on wide side, when wide side of I-Line panelboard is mounted on left, Maintenance Mode Switch
ICWR2222MMS	120–240	For mounting on wide side, when wide side of I-Line panelboard is mounted on right, Maintenance Mode Switch
ICWL2422MMS	277–480	For mounting on wide side, when wide side of I-Line panelboard is mounted on left, Maintenance Mode Switch
ICWR2422MMS	277–480	For mounting on wide side, when wide side of I-Line panelboard is mounted on right, Maintenance Mode Switch
ICWL2622MMS	600	For mounting on wide side, when wide side of I-Line panelboard is mounted on left, Maintenance Mode Switch
ICWR2622MMS	600	For mounting on wide side, when wide side of I-Line panelboard is mounted on right, Maintenance Mode Switch



MMS module



IFM module

Table 9.147: IFM Modbus Serial Network Communications Interface

Catalog Number	Voltage Vac	Features	No. of circuit breakers the unit will communicate to as standard	No. of additional circuit breakers the unit can communicate to with added Field Kit	Total possible No. of circuit breakers per module
ICWL2222M01	120–240	For mounting on wide side, when wide side of I-Line panelboard is mounted on left, IFM, Interface for Modbus-SL communications	1	8	9
ICWR2222M01	120–240	For mounting on wide side, when wide side of I-Line panelboard is mounted on right, IFM, Interface for Modbus-SL communications	1	6	7
ICWL2422M01	277–480	For mounting on wide side, when wide side of I-Line panelboard is mounted on left, IFM, Interface for Modbus-SL communications	1	8	9
ICWR2422M01	277–480	For mounting on wide side, when wide side of I-Line panelboard is mounted on right, IFM, Interface for Modbus-SL communications	1	6	7
ICWL2622M01	600	For mounting on wide side, when wide side of I-Line panelboard is mounted on left, IFM, Interface for Modbus-SL communications	1	2	3
ICWR2622M01	600	For mounting on wide side, when wide side of I-Line panelboard is mounted on Right, IFM, Interface for Modbus-SL communications	1	2	3
ICNL2222M01	120–240	For mounting on narrow side, when narrow side of I-Line panelboard is mounted on left, IFM, Interface for Modbus-SL communications	1	3	4
ICNR2222M01	120–240	For mounting on narrow side, when narrow side of I-Line panelboard is mounted on right, IFM, Interface for Modbus-SL communications	1	2	3
ICNL2422M01	277–480	For mounting on narrow side, when narrow side of I-Line panelboard is mounted on left, IFM, Interface for Modbus-SL communications	1	3	4
ICNR2422M01	277–480	For mounting on narrow side, when narrow side of I-Line panelboard is mounted on right, IFM, Interface for Modbus-SL communications	1	2	3

Table 9.148: Universal Panel Server Gateway and Data Logger for Ethernet Networking or Cloud-based Solutions (U-PaS)



UPAS module

Catalog Number	Voltage Vac	Features
ICWL222XUPAS	120–240	For mounting on wide side, when wide side of I-Line panelboard is mounted on left, Universal Panel Server
ICWR222XUPAS	120–240	For mounting on wide side, when wide side of I-Line panelboard is mounted on right, Universal Panel Server
ICWL242XUPAS	277–480	For mounting on wide side, when wide side of I-Line panelboard is mounted on left, Universal Panel Server
ICWR242XUPAS	277–480	For mounting on wide side, when wide side of I-Line panelboard is mounted on right, Universal Panel Server
ICWL262XUPAS	600	For mounting on wide side, when wide side of I-Line panelboard is mounted on left, Universal Panel Server
ICWR262XUPAS	600	For mounting on wide side, when wide side of I-Line panelboard is mounted on right, Universal Panel Server
ICNL222XUPAS	120–240	For mounting on narrow side, when narrow side of I-Line panelboard is mounted on left, Universal Panel Server
ICNR222XUPAS	120–240	For mounting on narrow side, when narrow side of I-Line panelboard is mounted on right, Universal Panel Server
ICNL242XUPAS	277–480	For mounting on narrow side, when narrow side of I-Line panelboard is mounted on left, Universal Panel Server
ICNR242XUPAS	277–480	For mounting on narrow side, when narrow side of I-Line panelboard is mounted on right, Universal Panel Server

Table 9.149: PM5563 or PM8244 Meter with or without Communications



PM module

Catalog Number	Voltage Vac	Features
ICWL243X5563	120–480	For mounting on wide side, when wide side of I-Line panelboard is mounted on left, PM5563 meter
ICWR243X5563	120–480	For mounting on wide side, when wide side of I-Line panelboard is mounted on right, PM5563 meter
ICWL263X5563	600	For mounting on wide side, when wide side of I-Line panelboard is mounted on left, PM5563 meter
ICWR263X5563	600	For mounting on wide side, when wide side of I-Line panelboard is mounted on right, PM5563 meter
ICWL243X8244	120–480	For mounting on wide side, when wide side of I-Line panelboard is mounted on left, PM8244 meter
ICWR243X8244	120–480	For mounting on wide side, when wide side of I-Line panelboard is mounted on right, PM8244 meter
ICWL263X8244	600	For mounting on wide side, when wide side of I-Line panelboard is mounted on left, PM8244 meter
ICWR263X8244	600	For mounting on wide side, when wide side of I-Line panelboard is mounted on right, PM8244 meter

I-Line Series Connected Circuit Breaker Ratings

Table 9.150: I-Line Series Connected Circuit Breaker Ratings (RMS Symmetrical)

Maximum System Voltage AC [1]	Maximum Short Circuit Current Rating	Square D Brand Integral or Remote 2- or 3-Pole Main Circuit Breaker [2]	Square D Brand Branch Circuit Breaker	
			Catalog Designation	Poles
120	42,000	MG	FY	1
	65,000	QG, LH	FA, FD	
		QG, BG6, HG, JG, LG, MG, PG	BD6 (60 A Max.)	
	100,000	FJ, QJ	FD	
		QJ, LC	FA	
		LJ	FH	
125,000	QJ, BJ, HJ, JJ, LJ, MJ, PJ	BD6, BG6 (60 A Max.)		
200,000	HL, JL, LL	BD6, BG6, BJ (60 A Max.)		
208Y/120	65,000	HR, JR	BD6, BG6, BJ (60 A Max.)	
	100,000	QG, BG6, HG, JG, LG, MG, PG	BD6	
		HL, JL, LL	BD6, BG6	
		QJ	FA, FD	
QJ, BJ, HJ, JJ, LJ, MJ, PJ		BD6, BG6		
		QJ, PH, PJ, RJ	QD	
240	35,000	MG	FA	1
	42,000	KA	FD	1, 2, 3
		LA, MA	HD, JD, QD	
	50,000	MG	FA	2, 3
		MG	FA (25 A Max.)	1
	65,000	HG, JG	FA, HD	2, 3
		JL	QD	
		JG	JD, QD	
		QG	FA, FD, QD	
		QG, BG6, HG, JG, LG, MG, PG	BD6	
		LH, MH, PA, PG, RG	HD, JD, QD	
		FG, FH, MH, MX, PJ	FD	
		FC, KC, KH, LC, LH	FD, FG	1, 2, 3
		LH	FA	1, 2, 3
		MG	HD, JD, KA	
		DG	FH, HD, JD, KA, LA, MA	
		LG	HD, JD, KA, LA, MA	
	LG	LD		
	RL	FH, KH		
	85,000	FC, KC, LC, LX	FD, FG, FJ	2, 3
		PH, PJ, RJ	QD	1
		QJ	FD	2
		FJ	FD	2
		LJ	HD, HG, JD, JG, FH, KA, LA, MA, MG	2, 3
		LJ	LD, LG	3
		FC, KC	FA, FH, FD, FG, FJ	2, 3
		LC, LX	FH, FD, FG, FJ	
		LL	LA, MG	
		QJ, BJ, HJ, JJ, LJ, MJ	BD6, BG6	
		PJ	BG6	
		KC, LC, LX	KA	
	100,000	KC, LC	KH	2, 3
		LC	LA, LH, MG	
		LC	FA	1, 2, 3
		HJ, JJ	FA, FH, HD, HG	2, 3
		JJ	JD, JG	
		LC, LX, MJ, PJ, RJ	HD, HG, JD, JG	
		MJ	LA, LH	
		DJ	FH, HD, HG, JD, JG, KA, LA, MA, MG	
		HL, JL	HD, HG, HJ, FA, FH	
		JL	JD, JG, JJ	
		HL, JL, LL	BD6, BG6, BJ	
PC, PH, PL, RL		HD, HG, JD, JG		
PC, PL, RL	HJ, JJ			
FI, KI, LI, LXI	HD, HG, HJ			
KI, LI, LXI	JD, JG, JJ			
200,000	FI, KI, LI, LXI	FD, FG, FJ	1	
	FI, KI	FA, FH, FC, FD, FG, FJ	2, 3	
	LI, LXI	FH, FD, FG, FJ		
	LI	FC		
	HR, JR	BD6, BG6, BJ		
	LR	BJ	2	
	KI, LI, LXI	KA, QD, QG, QJ	2, 3	
	LI	KC		
JR	QD			
LR	HJ, HL, JJ, JL, FH, LA, LH, QD, QG, QJ			
277	18,000	LD	FY	1
	25,000	FH, KA	FD	
	35,000	FG, KH, LH	FD	
		DG, LG	FH, FY	

[1] For indicated circuit breakers rated less than this maximum voltage. The indicated short circuit current rating also applies, but at the voltage rating of the circuit breaker.

[2] LG, LJ, and LL are only available in 3-pole configurations.

Table 9.150 I-Line Series Connected Circuit Breaker Ratings (RMS Symmetrical) (cont'd.)

Maximum System Voltage AC [3]	Maximum Short Circuit Current Rating	Square D Brand Integral or Remote 2- or 3-Pole Main Circuit Breaker [4]	Square D Brand Branch Circuit Breaker		
			Catalog Designation	Poles	
480	65,000	FC, KC	FH	2, 3	
		BG6, HG, JG, LG, MG, PG	BD6 (60 A Max.)		
		FJ	FD		
		FC, KC	FA, FY, FD, FG		
		LC, LX (400 A Max.)	FH		
		LC, LX (600 A Max.)	FY, FD, FG		
		DJ	FH, FY		
		LL	FY		
		LJ	FH, FY		
	100,000	BJ, HJ, JJ, LJ, MJ, PJ	BD6, BG6 (60 A Max.)		
		FI, KI	FH		
		DL, LL	FH, FJ		
	200,000	HL, JL, LL	BD6, BG6, BJ (60 A Max.)		
		FI, KI	FA, FY, FD, FG, FJ		
		LI, LXI, (400 A Max.)	FH		
		LI, LXI, (600 A Max.)	FY, FD, FG, FJ		
	22,000	HR, JR	BD6, BG6, BJ (60 A Max.)		
		MG	FA		
MX, PA, PC, PX		FH			
30,000		KH, LA, MA, PJ	FH		
		LA, MA, PA, PC, PX	KA		
		LA, MA, PA	HD, JD		
35,000		MG	FA (25 A Max.), FH, KA		
		MX, PA	HD, JD		
		MH	HD, JD		
		HG, JG	FA, HD		
		JG	JD		
		LH, MG, PG, RG	HD, JD		
		BG6, HG, JG, LG, MG, PG	BD6		
		LH	HG, JG		
		DG	FH, HD, JD, KA, LA, MA		
42,000		LG	LD		
		LG	HD, JD, FH, KA, LA, MA		
		MJ	FH (25 A Max.)		
50,000	RL	RG			
	MJ	KA, KH			
	FC, KC	FA, FH			
65,000	HJ, JJ	FA, FH, HD, HG			
	BJ, HJ, JJ, LJ, MJ, PJ	BD6, BG6			
	JJ	JD, JG			
	LC, LI, LX, LXI	HD, HG, JD, JG			
	LC, LX, (400 A Max.)	FH			
	KC, LC, LX	KA			
	LC, LX	LA			
	DJ	FH, HD, HG, JD, JG, KA, LA, MA			
	LJ	LD, LG			
100,000	LJ	HD, HG, JD, JG, FH, KA, LA, MA			
	HL, JL	FA, FH, HD, HG, HJ			
	HL, JL, LL	BD6, BG6, BJ			
	JL	JD, JG, JJ			
	LI, LXI (600 A Max.)	KA			
	PC, PH, PL, RL	HJ, JJ			
	DL	FH, HD, HG, HJ, JD, JG, JJ, KA, LA, MA			
	LL	LD, LG, LJ			
	LL	HD, HG, HJ, JD, JG, JJ, FH, KA, LA, MA			
200,000	JR	FA			
	FI, KI	FA, FH, FC, HD, HG, HJ			
	KI	JD, JG, JJ, KA			
	HR, JR	BD6, BG6, BJ			
	LI	FC, KA, KC, LA, HJ, HL, JJ, JL			
	LXI	KA, HJ, HL, JJ, JL			
	HR	FA, HD, HG, HJ, HL			
JR	HD, HG, HJ, HL, JD, JG, JJ, JL				
25,000	LR	HJ, HL, JJ, JL, FH, LA, LH			
	FH, KA	FD			
	35,000	FG, KH, LH	FD		
		BG6, HG, JG, LG, MG, PG	BD6		
	65,000	FJ	FD		
		BJ, HJ, JJ, LJ, MJ, PJ	BD6, BG6		
		FC, KC	FD, FG		
	100,000	LC, LX (600 A Max.)	FD, FG		
		HL, JL, LL	BD6, BG6, BJ		
		FI, KI	FD, FG, FJ		
		200,000	HR, JR	BD6, BG6, BJ	
	LI, LXI (600 A MAX.)		FD, FG, FJ		
	600	18,000	HG, JG	FA, HD	2, 3

[3] For indicated circuit breakers rated less than this maximum voltage. The indicated short circuit current rating also applies, but at the voltage rating of the circuit breaker.

[4] LG, LJ, and LL are only available in 3-pole configurations.

Refer to Catalog 2110CT9701

Table 9.150 I-Line Series Connected Circuit Breaker Ratings (RMS Symmetrical) (cont'd.)

Maximum System Voltage AC [3]	Maximum Short Circuit Current Rating	Square D Brand Branch Circuit Breaker		
		Square D Brand Integral or Remote 2- or 3-Pole Main Circuit Breaker [4]	Catalog Designation	Poles
		JG	JD	3
		MG, PG, RG	HD, JD	
		MG	FA	
		LG	LD	
		LG	HD, JD	
	25,000	HJ, JJ	FA, HD, HG	2, 3
		JJ	JD, JG	3
		LJ	LD, LG	
	35,000	LJ	JD, JG, HD, HG, MA	2, 3
		LC	FH, HD, HG, HJ, JD, JG, JJ, LA	
	50,000	HL, JL	FA, HD, HG, HJ	2, 3
		JL	JD, JG, JJ	
		PK	HJ, JJ	3
		LL	LD, LG, LJ	
		LL	HD, HG, HJ, JD, JG, JJ, MA	
	100,000	FI, KI	HD, HG, HJ	2, 3
		KI	JD, JG, JJ	
		KI, LI	FH	
		LI	LA	
		HR	FA, HD, HG, HJ, HL	
JR		FA, HD, HG, HJ, HL, JD, JG, JJ, JL		
LR		HJ, HL, JJ, JL		
600Y/347	18,000	MG	FA (25 A Max.)	1
	25,000	MJ	FA (25 A Max.)	
	50,000	HL, JL	FJ	2, 3
	65,000	LR	HJ, JJ	
347	18,000	BG6, HG, JG, LG, MG, PG	BD6 (60 A Max.)	1
	25,000	BJ, HJ, JJ, LJ, MJ, PJ	BD6, BG6 (60 A Max.)	
		LL	BD6, BG6	
	50,000	HL, JL	BD6, BG6, BJ	
	100,000	JR	BD6 (60 A Max.), BG6, BJ	
600Y/347	18,000	BG6, HG, JG, LG, MG, PG	BD6	3
	25,000	BJ, HJ, JJ, LJ, MJ, PJ	BD6, BG6	
	50,000	HL, JL, LL	BD6, BG6, BJ	
	100,000	HR, JR	BD6, BG6, BJ	

9

PANELBOARDS

[3] For indicated circuit breakers rated less than this maximum voltage. The indicated short circuit current rating also applies, but at the voltage rating of the circuit breaker.

[4] LG, LJ, and LL are only available in 3-pole configurations.

Table 9.151: Fuse/I-Line Circuit Breaker Series Connected Ratings

Maximum System Voltage AC [3]	Maximum Short Circuit Current Rating	Remote Main Fuse		Square D Brand Branch Circuit Breaker Catalog Designation (2- or 3-Pole) Unless Otherwise Stated		
		Max A	Class			
120/240 1Ø 208Y/120	100,000	1200 A	L, T (300 V)	QD, QG		
		800 A	T (600 V)			
		600 A	J, RK5			
240	65,000	1200 A	L, T (300 V)	QD		
		800 A	T (600 V)			
		600 A	J, RK5			
	100,000	1200 A	1200 A	L, T (300 V)	QD, QG (2-Pole)	
			800 A	T (600 V)		
			600 A	J, RK5		
		800 A	600 A	J, T (600 V)	FA, FH, KA, KH, KC, LA, LH, MA, MH, MX, PG	
				RK5	FH, KA, KH, LA, LH, MA, MH, MX, PG, HD, HG, HJ, HL, JD, JG, JJ, JL	
				J	HD, HG, HJ, HL, JD, JG, JJ, JL	
		1200 A	800 A	T (600 V)	FH, KA, KH, LA, LH, MA, MH, MX, PG	
				T (300 V)	PG	
				L	FH, KA, KH, LA, LH, MA, MH, MX, PG	
		1200 A	1200 A	L	FH, KH, LA, LH, MA, MH, MX, PG	
				T (600 V)	HD, HG, HJ, HL, JD, JG, JJ, JL	
				L	NA, NC, NX, PJ, PL	
		1600/2000 A	4000 A	L	HD, HG, HJ, HL, JD, JG, JJ, JL	
				J, T (600 V)	FA (3-pole only) FH, FC, KH, KC, LA, LH, LC, MA, MH, MX, NA, NC, NX, PG, PJ, PL	
			600 A	RK5	FH, FC, HD, HG, HJ, HL, JD, JG, JJ, JL, KH, KC, LA, LH, LC, MA, MH, MX, NC, NX, PG, PJ, PL	
	200,000	600 A	600 A	J	HD, HG, HJ, HL, JD, JG, JJ, JL	
				T (600 V)	FH, FC, KA, KH, KC, LA, LH, LC, MA, MH, MX, NA, NC, NX, PG, PJ, PL	
				T (300 V)	PG, PJ, PL	
		800 A	800 A	L	FH, FC, KH, KC, LA, LH, LC, MA, MH, MX, NA, NC, NX, PG, PJ, PL	
				L	FC, KH, KC, LC, MA, MH, MX, NA, NC, NX, PG, PJ, PL	
				T (600 V)	HD, HG, HJ, HL, JD, JG, JJ, JL	
1200 A		1200 A	L	NA, NC, NX, PJ, PL		
			L	HD, HG, HJ, HL, JD, JG, JJ, JL		
			J, T (600 V)	HD, HG, HJ, HL, JD, JG, JJ, JL		
480		100,000	400 A	J, T (600 V)	HJ, HL, JJ, JL	
			600 A	J, RK5	HJ, HL, JJ, JL	
			600 A	J, T (600 V)	FC, KA, KH, KC, LA, LH, LC, MA, MH, MX, NA, PG, PJ	
			RK5	FC, KA, KH, KC, LA, LH, LC, MA, MH, MX, NA, PG, PJ		
	800 A		L, T (600 V)	FC, KA, KH, KC, LA, LH, LC, MA, MH, MX, NA, PG, PJ		
			L	FC, KH, KC, LA, LH, LC, MA, MH, MX, NA, PG, PJ		
	1200 A		T (600 V)	HJ, HL, JJ, JL		
	1600 A		L	KC, LC, MA, MH, MX, NA, PG, PJ		
	2000 A		L	KC, LC, MH, MG, MJ, MX, NA, PG, PJ		
	4000 A		L	HJ, HL, JJ, JL		
	200 A		RK5	HJ, HL		
	200,000		400 A	J	FA, FH, FC, HJ, HL, JJ, JL, KA, KH, KC, LA, LH, LC, MA, MH, MX, NA, NC, NX, PG, PJ, PL	
			T (600 V)	FA, FH, FC, HJ, HL, JJ, JL, KA, KH, KC, LA, LH, MA, MH, MX, NA, NC, NX		
			J	FC, KA, KH, KC, LA, LH, LC, MA, MH, MX, MG, MJ, NA, NC, NX, PG, PJ, PL		
		600 A	T (600 V)	KA, KH, KC, LA, LH, MA, MH, MX, NA, NC, NX		
			RK5	KC, LA, LH, LC, MA, MH, MX, MG, MJ, NC, NX, PG, PJ		
			T (300 V)	PG, PJ, PL		
		800 A	T (600 V)	KA, KH, KC, LA, LH, MA, MH, MX, MG, MJ, NA, NC, NX, PG, PJ, PL		
			L	KC, LA, LH, LC, MA, MH, MX, NA, NC, NX, PG, PJ, PL		
		1200 A	L	KC, LC, MA, MH, MX, MG, MJ, NA, NC, NX, PG, PJ, PL		
		1600/2000 A	L	NA, NC, NX		
		600	100,000	30 A	CC	HG, JG (Molded Case Switches)
				200 A	J	HD, HG, HJ, HL, JD, JG, JJ, JL
	400 A			J, T (600 V)	HJ, HL, JJ, JL	

- The fuse used in this UL test is an envelope (umbrella) fuse. This fuse is designed as a “worst case” fuse. Thus, no matter what manufacturer’s fuse is used, the Square D brand circuit breaker is protected.
- The line side fused switch may be in a separate enclosure or in the same enclosure as the loadside breaker. A line side fused switch may be a submain, integral main, or remote main. A load side breaker may be a branch, submain, or an integral main used on the load side of a remote main. This series combination short circuit current rating shall not exceed that of the line side fused switch. The charts apply to Square D brand load side breakers only. However, the line side fuse ratings are independent of the fuse manufacturer.
- Not applicable to Corner Grounded Systems.
- Limiters used in Square D brand DSL and DSL II fused power circuit breakers are not class L fuses and do not have series ratings.

[3] For indicated circuit breakers rated less than this maximum voltage. The indicated short circuit current rating also applies, but at the voltage rating of the circuit breaker.

