

# PERIMALITER® WALLPACK

PGL GLASS SERIES

Cat.#

Job

Type



**HUBBELL**  
Outdoor Lighting

Approvals

### APPLICATIONS

- Perimeter lighting for safety and security. High performance with wide lateral spread. Typical mounting heights 18-25ft

### SPECIFICATIONS

- Cast aluminum door frame with prismatic glass refractor. Door seals to housing gasket with twin Hubbell Gard® captive fasteners
- Die cast aluminum housing allows firm mounting over recessed junction boxes or on flat surfaces for 1/2" surface conduit Casting dissipates ballast heat for long life. Side hub supplied for field installation of button photo control, ordered separately
- Specular aluminum reflector with kicker panels drive maximum lamp lumens to the refractor prisms. Vertical socket position with these optics provide six to one spacing to mounting height ratio for maximum spacing or greater lumens and lamp life
- PGL is available in wattages show below. All sockets are mogul base
- LP units include lamp in fixture carton for contractor convenience
- Dark bronze 800 Series powder paint finish standard on frame and housing. For optional finishes, black, gray, and white consult factory

### LISTINGS

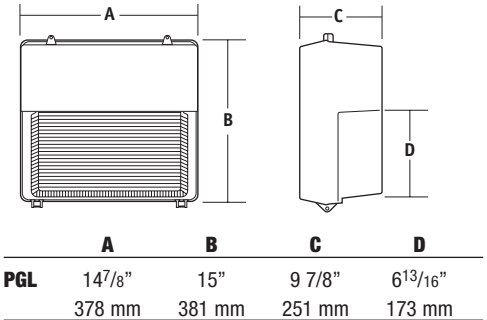
- Listed to UL1598 for use in wet locations



### PRODUCT IMAGE(S)

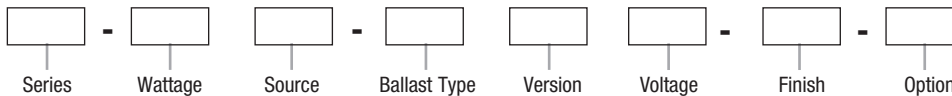


### DIMENSIONS



### ORDERING INFORMATION

ORDERING EXAMPLE: PGL-350P-128-1-LP



Catalog Number	Wattage	Lamp Type	Voltage	Ballast	Lamp Included	Weight lbs. (kg)
<b>Pulse Start Metal Halide</b>						
<b>PGL-250P-128-1-LP</b>	250	PSMH	Quad Tap	CWA-HPF	Yes	30 (13.6)
<b>PGL-350P-128-1</b>	350	PSMH	Quad Tap	CWA-HPF	No	25 (15.0)
<b>PGL-350P-128-1-LP</b>	350	PSMH	Quad Tap	CWA-HPF	Yes	27 (15.0)

- Notes:
- LP - Indicates lamp included with the fixture.
  - Above units are Quad Tap (120,208,240,277V For ED28 lamps are required
  - Dark Bronze finish (-1) is standard; For alternate finish (2- Black, 3- Gray, 4- White) - consult factory for price adder and availability

### ACCESSORIES - Order Separately

Catalog Number	Description
<b>PBT-1</b>	Photocontrol, button type, 120V
<b>PBT-234</b>	Photocontrol, button type, 208, 240, 277V
<b>PTA-8</b>	Photocontrol, external, weather tight, 208, 240, 277V
<b>PG-PS<sup>1</sup></b>	Polycarbonate shield for refractor
<b>PG-WG<sup>1</sup></b>	Wire guard for refractor
<b>PVL3V</b>	Full cut-off visor, formed aluminum, bronze finish

<sup>1</sup> Guard and shield can be used on the same fixture

### REPLACEMENT PART

Catalog Number	Description
<b>80033990104</b>	Lens door assembly, bronze