



[Catalog Home](#)

**Product Datasheet**



**ANDERSON FARGO**

**WTT153030 -- Tee, Aluminum Weldment**



Tee, Aluminum Weldment, Angle, Tube to Tube, 3 to 3 IPS/EHIPS tubes

**Product Specifications**

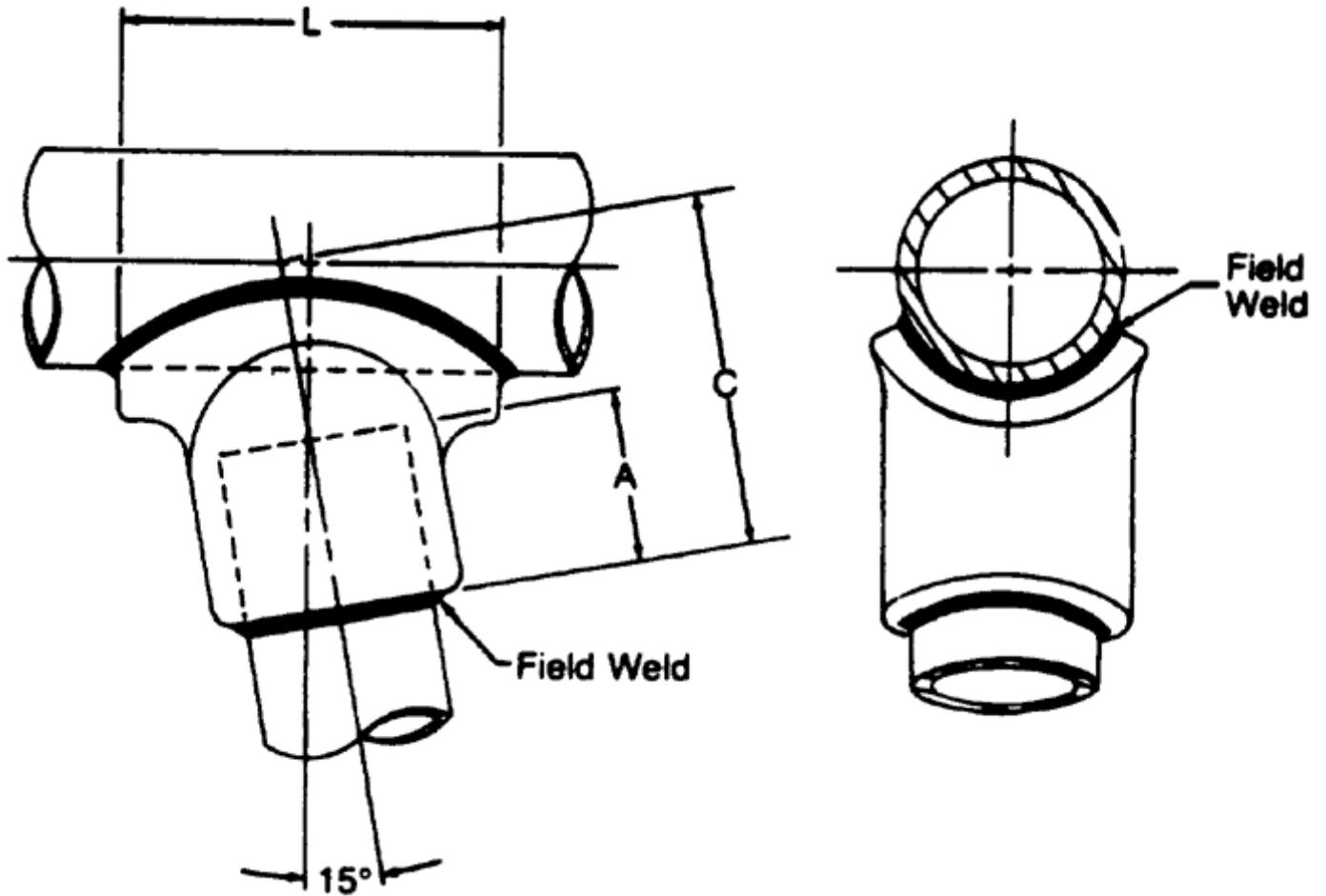
<p><b>Family Image</b></p>	 <p>Tees</p>
<p><b>Tees</b></p>	 <p><b>WTT-15 Series</b> Tube to Tube, 15 Degree Aluminum Weldment Tees</p>
<p><b>PDF Catalog Page</b></p>	<p><a href="#">Click HERE to view the web page.</a></p>
<p><b>Dimension A</b></p>	<p>1.75 in (44.5 mm)</p>
<p><b>Dimension B</b></p>	<p>4.69 in (119.1 mm)</p>
<p><b>Dimension L</b></p>	<p>5.13 in (130.2 mm)</p>
<p><b>Material Type</b></p>	<p>Non-Standard</p>
<p><b>UPC Code</b></p>	<p>09635934312</p>
<p><b>Standard Package</b></p>	<p>12</p>
<p><b>Standard Package Unit</b></p>	<p>Each</p>
<p><b>Min Order Qty</b></p>	<p>1</p>

Weight / Ea.

2.352 lbs

**Compressed Product Number**

WTT153030



[Catalog Home](#)



[Warranty Info](#) | [Trademarks](#) | [Terms of Use](#)

*All contents Copyright © 2007 Hubbell Power Systems, Inc. All rights reserved.*

NOTE: Because Hubbell has a policy of continuous product improvement, we reserve the right to change design and specifications without notice.