

# Instructions for Installation, Operation and Maintenance of A.B. Chance Company Type C Porcelain and Polymer Cutout

## GENERAL

### **⚠ DANGER**

The A. B. Chance Type C Cutout is for protection of equipment only. It DOES NOT protect personnel from injury or electrocution if contact with energized circuits or hardware occurs.

The A. B. Chance Company Type "C" Cutout is an expulsion type distribution fuse. Its primary function is to interrupt fault or overload current within its rating on a distribution line to protect the electric circuit and/or connected equipment.

ANSI Standard C37.48 prescribes guidelines for application, operating and maintenance of distribution cutouts and shall be followed in addition to this instruction guide.

## INSTALLATION

**NOTE:** A properly sized cutout must be selected for each installation with consideration to recovery voltage, continuous current, BIL and fault interrupting rating. Should there be any concern regarding use of this cutout as rated, consult your supervisor **before** installation.

Securely attach mounting bracket if supplied with cutout, to crossarm or pole.

### **⚠ WARNING**

DO NOT mount this cutout in vaults or other enclosed areas because of the expulsion emitted during fault interruption.

Mount the cutout on the mounting bracket with the external tooth lockwasher placed between the mounting bracket and the cutout bushing support pin. (See Figure 1.) Tighten the nut finger tight. Rotate the cutout on the mounting bracket to provide maximum clearance for the operator and vented ends which expel hot gases and high velocity particles during interruption and to provide maximum ease of operation. Securely tighten carriage bolt nut.

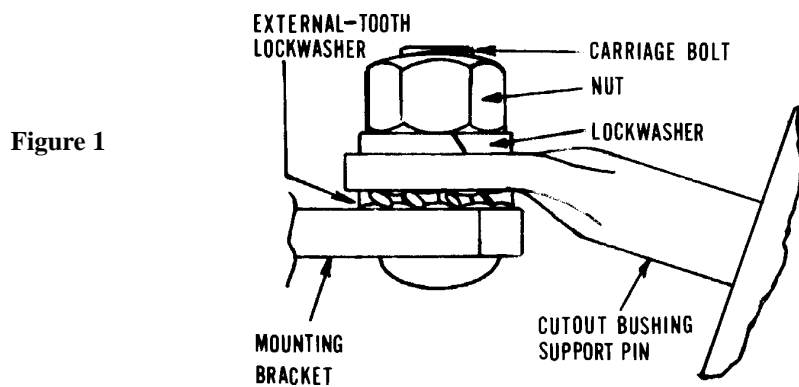


Figure 1

To attach electrical leads, first loosen top and bottom terminal washer faced nuts. Wire brush conductors and apply a coating of oxidation inhibitor before inserting conductor into terminal. Tighten washer faced nuts to approximately 20 ft./lb.

To install the fuselink in the fuseholder, remove the cap from the upper ferrule of the fuseholder assembly. Slide the fuselink, cable end first, into the top of the fuseholder and pull out at the lower end.

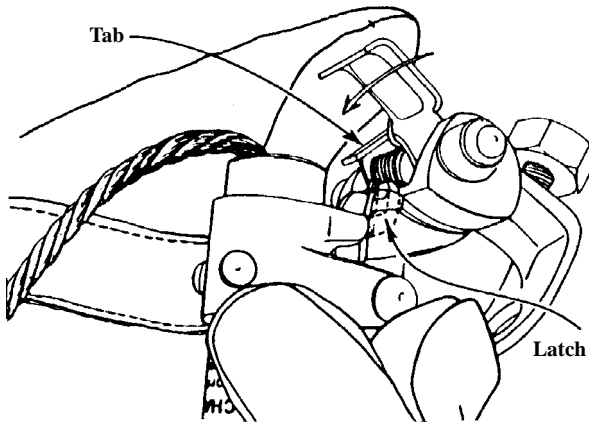


Figure 2

### **⚠ CAUTION**

Do not remove or damage the small tube on the fuselink. It is an integral part of the fuselink and removal or damage may result in the cutout's failure to interrupt.

### **⚠ CAUTION**

The equipment covered by this instruction guide should be selected, installed and serviced by competent personnel who understand proper safety procedures. This instruction guide is written for such personnel and is not a substitute for adequate training and experience in safety procedures regarding this type of equipment.

Replace the cap on the upper fuseholder ferrule and tighten with a wrench. Holding the fuseholder at the lower end, rotate the link ejector about its pivot until it stops, making certain that the tab on the link ejector engages the latch on the lower fuseholder ferrule. (See Figure 2.) Holding the ejector in this position, feed the cable over the link ejector channel and around the unthreaded portion at base of the stud in a clockwise direction to prevent strand breakage when nut is tightened. (See Figure 3.) Maintaining tension on the fuselink cable, tighten the fuselink attachment nut with a wrench. Clip excess fuselink cable.

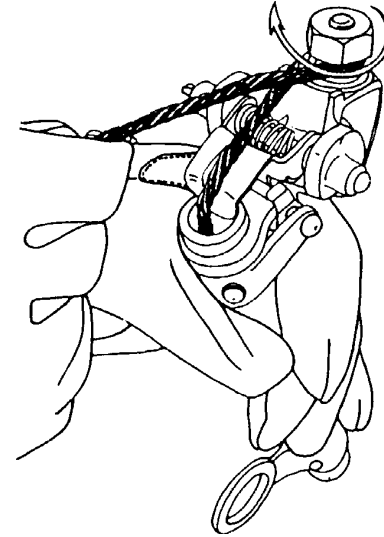


Figure 3

### **⚠ CAUTION**

Do not use 100 amp or smaller fuselinks in 200 amp fuseholders by employing washers or other means. This could result in the cutout to fail to interrupt.

**NOTE:** Cutouts using an arc shortening rod require the use of removable buttonhead fuselinks. To attach the fuselink to the arc shortening rod, remove the screw-type buttonhead (and washer if equipped) from the fuselink. Screw the arc shortening rod (attached to cap) onto the fuselink and tighten firmly. (See Figure 4.) Follow same procedure as outlined in above paragraph.

### **⚠ CAUTION**

Do not replace arc shortening rod with a standard cap. The rod is required to achieve the designated interrupting rating and use of the cutout without the rod will reduce the cutout's interrupting capability and may cause the cutout to fail to interrupt.

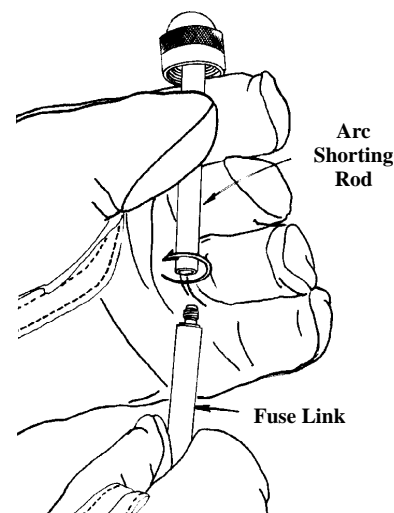


Figure 4

These instructions do not claim to cover all details or variations in equipment, nor to provide for all possible conditions to be met with concerning installation, operation, or maintenance of this equipment. If further information is desired or if particular problems are encountered which are not sufficiently covered in this guide, contact A. B. Chance Company.

**NOTE:** Because Chance has a policy of continuous product improvement, it reserves the right to change design and specifications without notice.

## OPERATION

### CAUTION

Only qualified personnel should operate a cutout. Such personnel should wear appropriate protective equipment such as rubber gloves, hard hats, safety glasses, etc., in accordance with established utility and safety practices.

Once the fuselink has been installed in the fuseholder, insert the disconnect stick into the opening in the fuseholder trunnion. Place the fuseholder into the hinge as shown in Figure 5. Remove the disconnect stick.

### WARNING

Hot gases and high velocity particles are expelled from fuseholder during interruption. This expulsion can cause serious injury. Stay away from conical area below and in-line with fuseholder.

After positioning himself well clear from the vented end and exhaust path of the cutout, the operator should place the disconnect stick in the ring on the upper ferrule of the fuseholder. Rotate the fuseholder to an intermediate position as in Figure 6. Look away from the cutout. Quickly and firmly drive the fuseholder into the closed position. Remove disconnect stick from the ring carefully to avoid opening the fuseholder.

All Chance Type "C" Cutouts are equipped with "hooks" for use with a loadbreak tool. To open the fuseholder on the cutout use **only** an approved loadbreak tool or device designed for use with cutouts and follow the instructions provided with such tools.

### WARNING

Do not attempt to open a cutout to interrupt load current. An arc started by opening a cutout under load could cause injury or damage to equipment.

Once the fuseholder has been opened, a disconnect stick may be used to remove the fuseholder from the hinge.

## MAINTENANCE

Refer to ANSI Standard C37.48 as a general guide. Periodically inspect the fuselink at the lower open end of the fuseholder for evidence of corrosion. Replace fuselinks which show signs of deterioration (broken strands, heavy corrosion, etc.). Replace broken/cracked porcelain or torn polymer insulator and clean or replace if heavily contaminated. Inspect contacts for excessive pitting or burning and replace as necessary. Check the fuseholder fiber liner for cracking or excessive erosion. If cracked or if the I.D. is larger than .650 inches and .860 inches on the 100 and 200 amp fuseholders respectively, then replace the fuseholders. If the fuseholder shows any signs of electrical tracking it should be replaced.

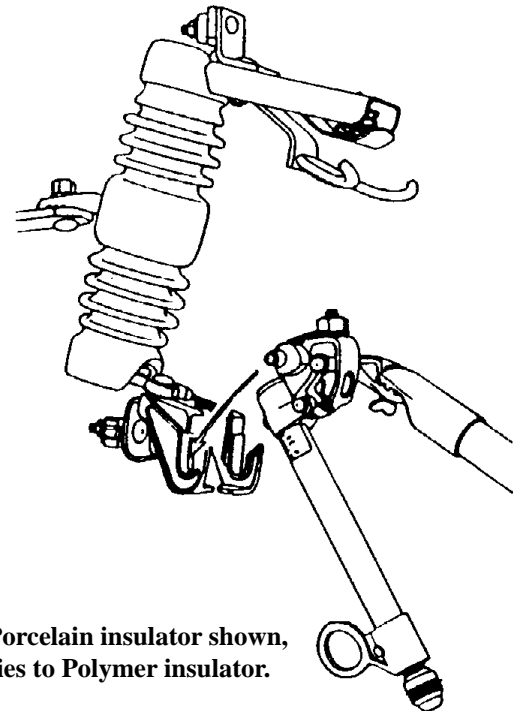


Figure 5

NOTE: Porcelain insulator shown, also applies to Polymer insulator.

### CAUTION

Store fuse holder in an upright position out-doors or in a non-heated weather protected area. Excessive water entering the bore of the fuse holder may cause interior corrosion, damage the fuse holder liner or damage the fuse link. These conditions may cause the fuse to fail to interrupt an over-current.

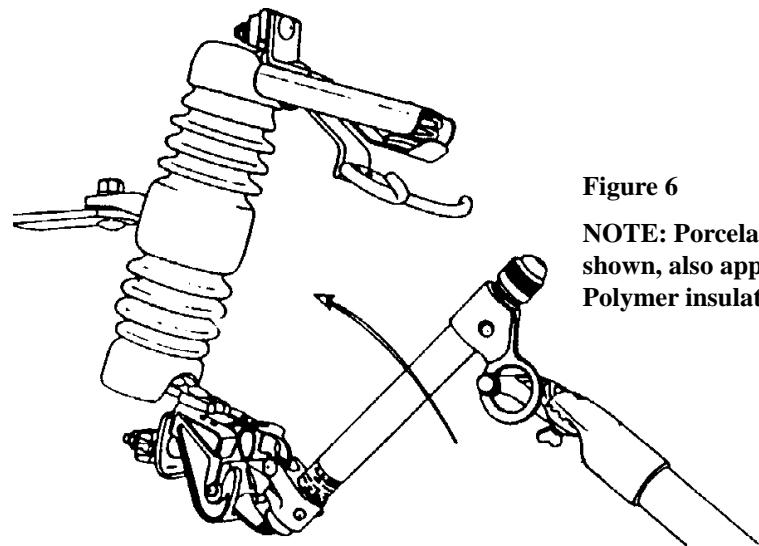


Figure 6

NOTE: Porcelain insulator shown, also applies to Polymer insulator.

# Hubbell / Chance

## Centralia, MO 65240

visit <http://www.hubbellpowersystems.com>  
Phone: 573-682-5521 Fax: 573-682-8714



# CHANCE

POWER SYSTEMS, INC.

© 2002 Hubbell / A. B. Chance Co., 210 N. Allen St., Centralia, MO 65240

Part No. P700-1128  
Rev. J