



Product Datasheet

ANDERSON FARGO

CE0340611 -- Clevis Eye



Clevis Eye, Rotated, Ductile Iron, Clevis: 1.000" Opening, 0.750" Pin, Eye: 0.750" with 0.688" Hole, UTS 36,000 lb

Product Specifications

Hardware Family



**Clevis Eye &
Y-Clevis Eye**
Coupling Fittings

Clevis Eye Fittings

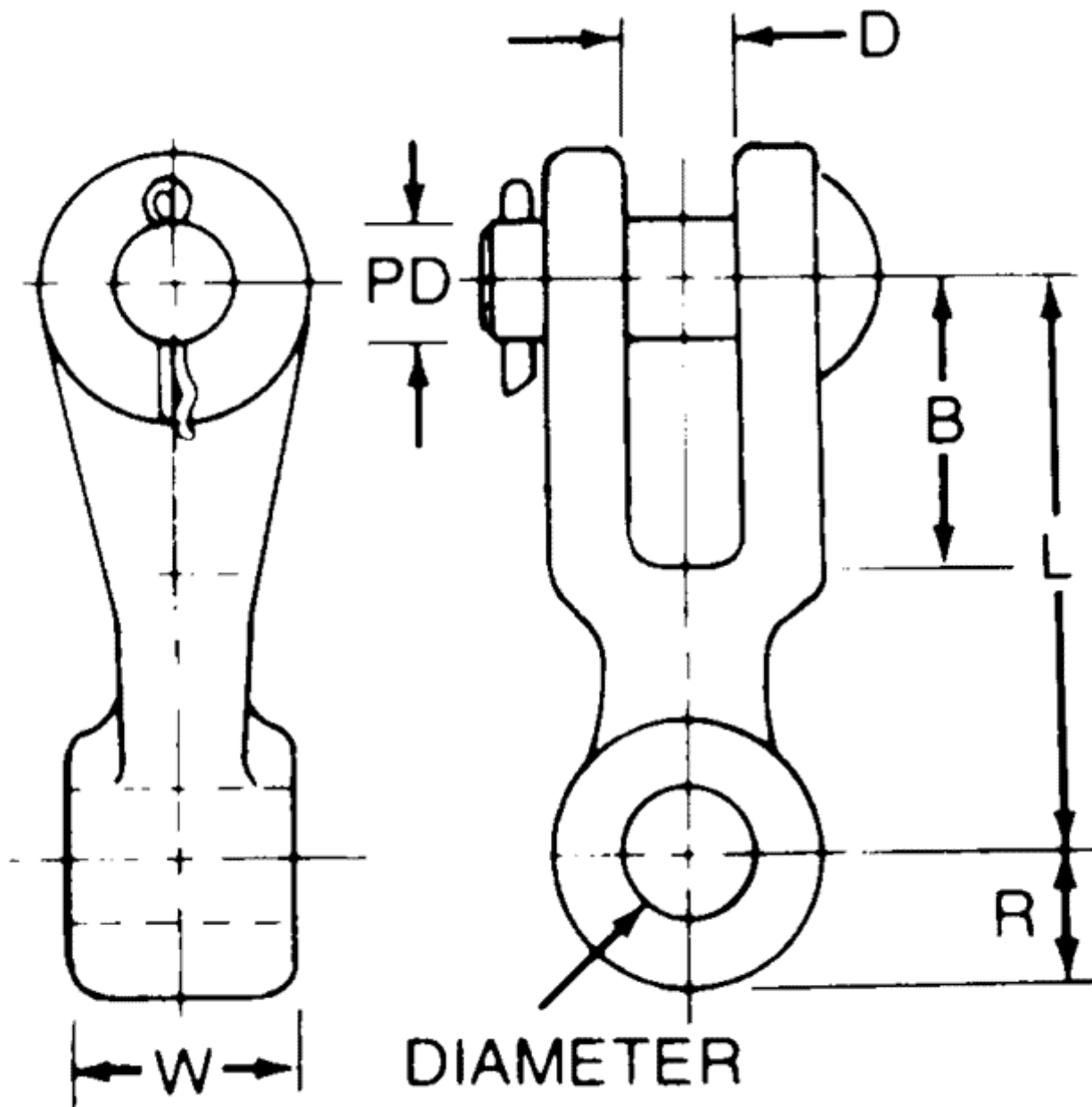


CE Series
Clevis-Eye, Rotated
Coupling Fittings

| | |
|------------------------------|--|
| PDF Catalog Page | Click HERE to view the web page. |
| Ultimate Strength | 36,000 lb (16,330 kg) |
| Coupling Length | 3.500 in (88.90 mm) |
| Eye Width | 0.750 in (19.05 mm) |
| Eye Hole Diameter | 0.688 in (17.48 mm) |
| Dimension B | 1.500 in (38.10 mm) |
| Dimension D | 1.000 in (25.40 mm) |
| Dimension W | 0.750 in (19.05 mm) |
| Dimension PD | 0.750 in (19.05 mm) |
| Material | Ductile Iron |
| Cotter Pin Material | Stainless Steel |
| Clevis Pin Material | Galvanized Steel |
| Material Type | Non-Standard |
| UPC Code | 09635929837 |
| Standard Package | 20 |
| Standard Package Unit | Each |
| Min Order Qty | 1 |
| Weight / Ea. | 2.156 lbs |

Compressed Product Number

CE0340611



[Catalog Home](#)



[Warranty Info](#) | [Trademarks](#) | [Terms of Use](#)

All contents Copyright © 2007 Hubbell Power Systems, Inc. All rights reserved.

NOTE: Because Hubbell has a policy of continuous product improvement, we reserve the right to change design and specifications without notice.