



[Catalog Home](#)

Product Datasheet


ANDERSON FARGO

HAST2118C -- Suspension Clamp



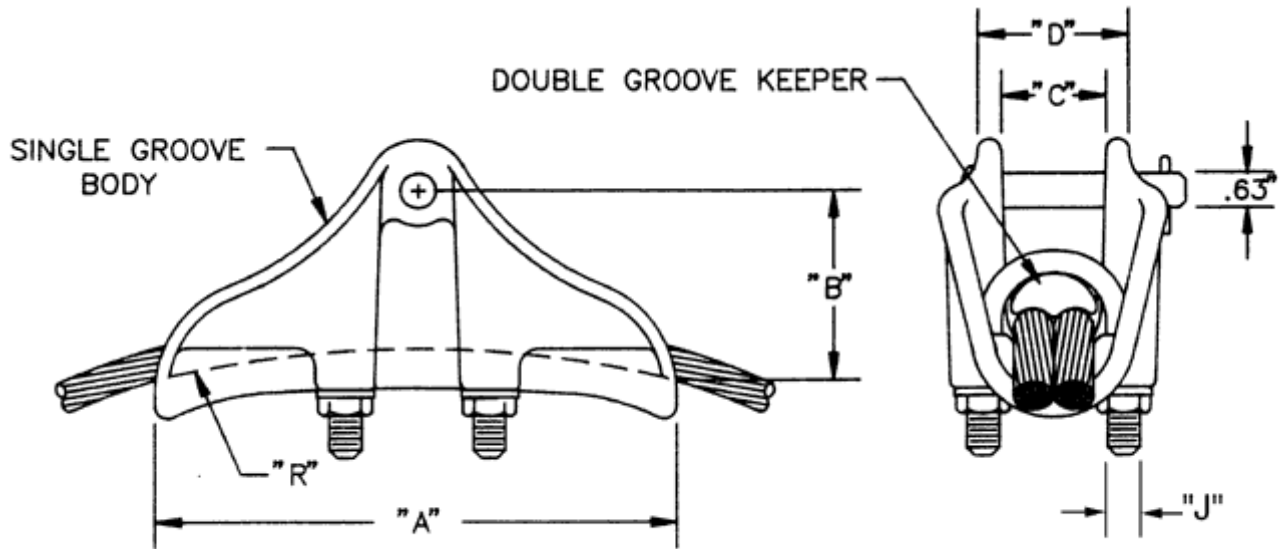
Suspension Clamp, Aluminum, for use with T2 conductors 0.398 - 0.502 with fitting: Clevis

Product Specifications

Series	 <p>HAST2 series Standard Voltage, Aluminum for use on T2 conductor</p>
PDF Catalog Page	Click HERE to view the web page.
Fitting	Clevis
Clamp Material	Aluminum
Fitting Catalog No.	CA-10
Ultimate Body Strength	25,000 lbs (11,340 kgs)
Maximum Take-off Angle 0	22.5
Dimension A	8.00 in (203.2 mm)
Dimension B	2.75 in (69.9 mm)
Dimension C	1.41 in (35.7 mm)
Dimension D	2.41 in (61.1 mm)
Dimension J	0.500 in (12.7 mm)
Hardware Material	Galvanized Steel
Minimum - Maximum Conductor Size	AAC 2/0 str (7) Thru AAC 4 str (7) w/Armor Rods AAAC 2/0 str(7) Thru AAAC 5 str(7) w/Armor Rods ACSR 1/0 (6/1) Thru ACSR 6 (6/1) w/Armor Rods
Clamping Range	0.40 - 0.50 in (10.11 - 12.75 mm)
Voltage Application	Standard
Material Type	Non-Standard

UPC Code	09635935705
Standard Package	1
Standard Package Unit	Each
Min Order Qty	1
Weight / Ea.	4.41 lbs

Compressed Product Number
HAST2118C



Catalog Home



[Warranty Info](#) | [Trademarks](#) | [Terms of Use](#)

All contents Copyright © 2007 Hubbell Power Systems, Inc. All rights reserved.

NOTE: Because Hubbell has a policy of continuous product improvement, we reserve the right to change design and specifications without notice.