



[Catalog Home](#)

**Product Datasheet**


**ANDERSON FARGO**

**HAS204N -- Suspension Clamp**



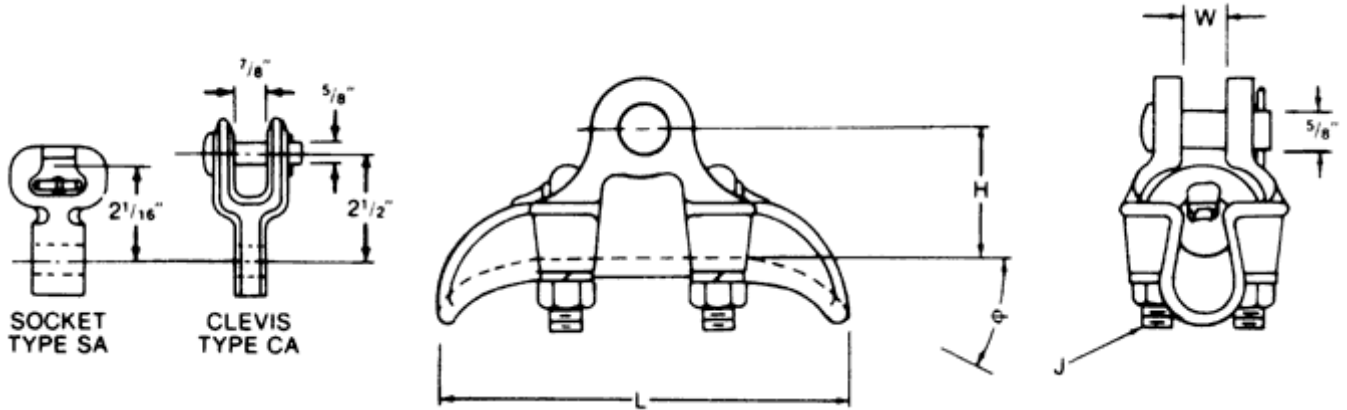
Suspension Clamp, Aluminum, for use with conductors 1.4 - 2.04 with fitting: None

**Product Specifications**

|                                  |  |
|----------------------------------|--|
| Series                           |  <p>HAS series<br/>Standard Voltage<br/>Aluminum</p>   |
| PDF Catalog Page                 | <a href="#">Click HERE to view the web page.</a>   |
| Fitting                          | None   |
| Clamp Material                   | Aluminum   |
| Fitting Catalog No.              | -  |
| Ultimate Body Strength           | 25,000 lbs (11,340 kgs)  |
| Maximum Take-off Angle 0         | 20.5   |
| Dimension H                      | 3.53 in (89.7 mm)  |
| Dimension J                      | 0.500 in (12.7 mm)   |
| Dimension L                      | 10.5 in (267 mm)   |
| Dimension W                      | 2.17 in (55.2 mm)  |
| Hardware Material                | Galvanized Steel   |
| Minimum - Maximum Conductor Size | AAC 1500 kcmil (91) Thru AAC 1272 kcmil (61) w/Armor Rods<br>AAAC 652.8 kcmil str (19) w/Armor Rods Thru AAAC 932.6 kcmil str (37) w/Armor Rods<br>ACSR 1351.5 kcmil (54/19) Thru ACSR 1192.5 kcmil (45/7) w/Armor Rods<br>ACAR 1534.4 kcmil (42/19) Thru ACAR |
| Clamping Range                   | 1.40 - 2.04 in (35.56 - 51.82 mm)  |
| Voltage Application              | Standard   |
| Material Type                    | Non-Standard   |
| UPC Code                         | 09635931505  |
| Standard Package                 | 10   |
| Standard Package Unit            | Each   |
| Min Order Qty                    | 1  |
| Weight / Ea.                     | 4.802 lbs  |

**Compressed Product Number**

HAS204N



[Catalog Home](#)



[Warranty Info](#) | [Trademarks](#) | [Terms of Use](#)

*All contents Copyright © 2007 Hubbell Power Systems, Inc. All rights reserved.*

NOTE: Because Hubbell has a policy of continuous product improvement, we reserve the right to change design and specifications without notice.