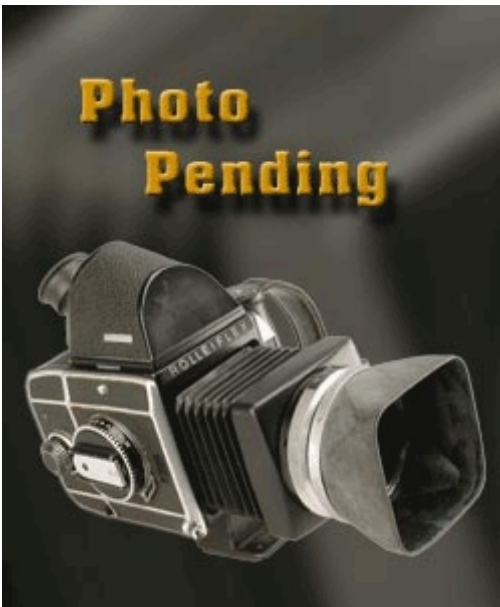




Product Datasheet

ANDERSON FARGO

SWDE84C -- Strain Clamp, Quadrant, Static Wire Deadend



Strain Clamp, Quadrant, Static Wire Deadend, Ductile Iron, Conductor Range 0.36 - 0.84 in, Fitting: Clevis

Product Specifications

Category Image



Bolted Deadends

Ductile Iron

Static Wire

Series Image (Ductile)



SWDE/MD Series

Quadrant Dead End

Bolted, Ferrous

Static Wire

PDF Catalog Page

[Click HERE to view the web page.](#)

Fitting Type

Clevis

Style

SWDE - Strain Clamp, Quadrant, Static Wire Deadend

Type

Bolted

Material

Ductile Iron

Fitting Catalog No.

CA-06

Voltage Application	Std
Body and Keeper Material	Galvanized Ductile Iron
Socket and Clevis Material	Galvanized Ductile Iron
Clevis Pin Material	Galvanized Ductile Iron
Cotter Pin Material	#302 Stainless Steel
Hardware Material	Galvanized Steel
Ultimate Body Strength	25,000 lb (11,340 kg)
U-Bolts	4
Bolt Size	.50 in (12.70 mm)
Dimension C	8 7/16 in (214.38 mm)
Dimension H	10 5/8 in (270.00 mm)
Dimension L	10.75 in (273.05 mm)
Dimension W	.94 in (23.88 mm)
Pin Diameter	0.625 in (15.88 mm)
Clevis Opening	.875 in (22.23 mm)
Conductor Range Minimum - Maximum	Alumoweld 7 # 8 Thru Alumoweld 19 # 6 EHS 3/8 inch str (3) Thru EHS 13/16 inch str (19)
Minimum Conductor Diameter	0.36
Maximum Conductor Diameter	0.84
Weight / Ea.	11.86 lbs
Standard Package	4
UPC Code	09635932723

Compressed Product Number

SWDE84C

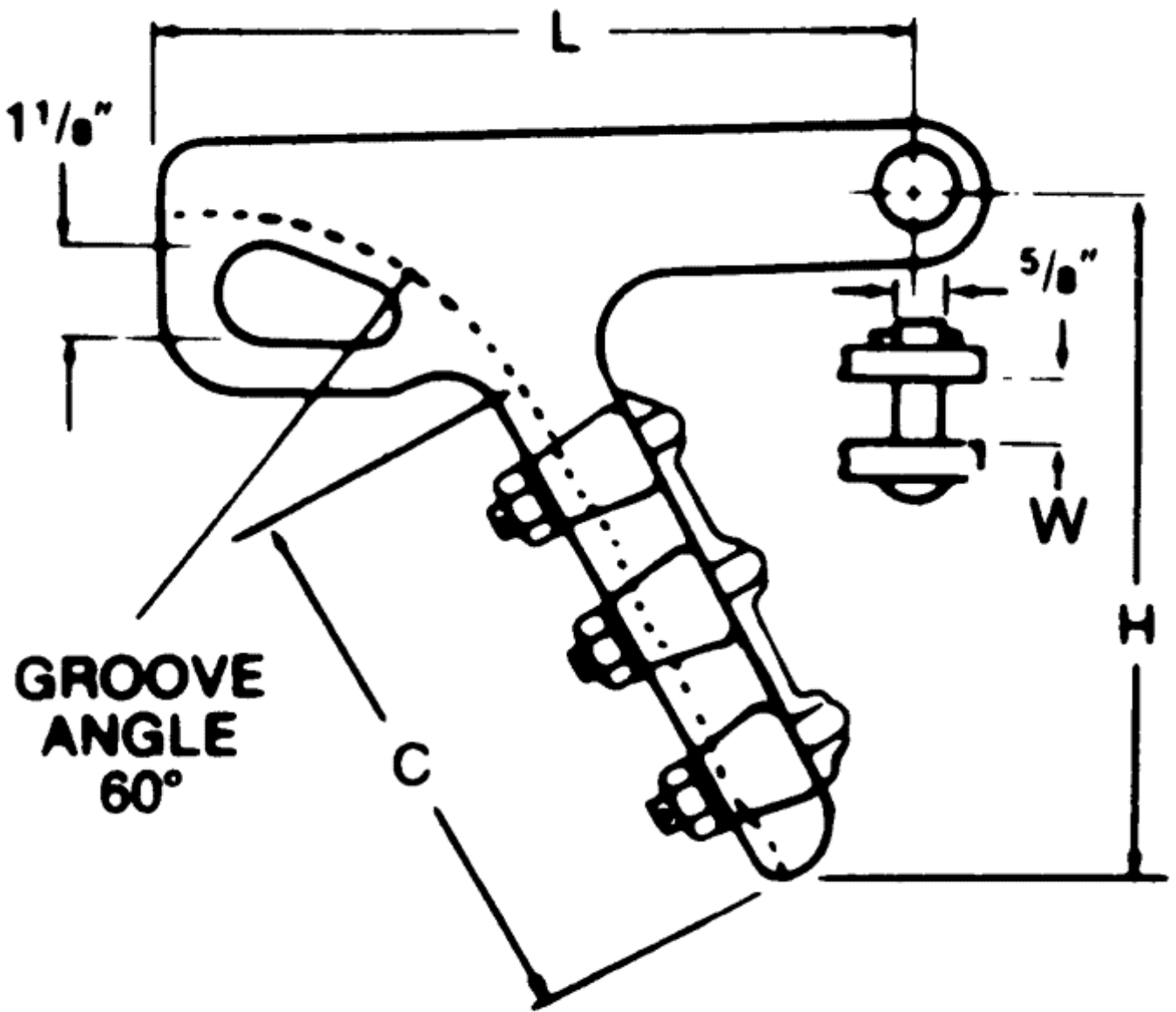


FIGURE 2

Dimensions

[Catalog Home](#)



[Warranty Info](#) | [Trademarks](#) | [Terms of Use](#)

All contents Copyright © 2007 Hubbell Power Systems, Inc. All rights reserved.

NOTE: Because Hubbell has a policy of continuous product improvement, we reserve the right to change design and specifications without notice.