

TeSys™ N Self-Protected Combination Motor Controller

Instruction Bulletin

HRB85599

Rev. 02, 02/2014

Retain for future use.



ENGLISH

ESPAÑOL

FRANÇAIS

Table of Contents

Hazard Categories and Special Symbols	5
Introduction	5
Terminology	5
Related Documentation	5
Catalog	5
Instruction Sheets	5
Quick Start Guides	5
Manuals	5
Product Support	5
Spare Parts	5
Assembly	6
TeSys U Starter	8
Accessories	8
Components	9
Dimensions	10
NEMA 1 Enclosures	10
NEMA 12/3R Enclosures	11
NEMA 4/4X Enclosures	12
Installation	13
Mounting the Controller	13
Opening the Hinged Assembly to the Installation Position	14
Closing the Hinged Assembly to the Operating Position	14
Wiring	15
Power Wiring	15
Line Side Wiring	15
Load Side Wiring	16
Ground Wiring	16
Control Wiring	17
Common Control and Transformer Control	17
Separate Control	17
Distant Control	18
Labels	18
Configuration	19
Setting the Full-Load Current (FLA) with an Advanced Control Module ...	19
Setting the Address of a Communication Module	20
Setting Basic Parameters with a Multifunction Control Module	23
Keypad Features and Operation	24
Selecting the Language	25
Selecting the Load Type	25
Setting the Full-Load Amperage (FLA)	25
Setting the Trip Class	25
Installing a Control Unit	26
Installing a Communication Module	26
Service and Reference Tables	27
Blue Power On Pilot Light	29

Hazard Categories and Special Symbols

Read these instructions carefully and look at the equipment to become familiar with the device before trying to install, operate, service, or maintain it. The following special messages may appear throughout this bulletin or on the equipment to warn of hazards or to call attention to information that clarifies or simplifies a procedure.



The addition of either symbol to a “Danger” or “Warning” safety label indicates that an electrical hazard exists which will result in personal injury if the instructions are not followed.



This is the safety alert symbol. It is used to alert you to personal injury hazards. Obey all safety messages that follow this symbol to avoid possible injury or death.

⚠ DANGER

DANGER indicates an imminently hazardous situation which, if not avoided, **will result in** death or serious injury.

⚠ WARNING

WARNING indicates a potentially hazardous situation which, if not avoided, **can result in** death or serious injury.

⚠ CAUTION

CAUTION indicates a potentially hazardous situation which, if not avoided, **can result in** minor or moderate injury.

NOTICE

NOTICE is used to address practices not related to physical injury. The safety alert symbol is not used with this signal word.

NOTE: Provides additional information to clarify or simplify a procedure.

Electrical equipment should be installed, operated, serviced, and maintained only by qualified personnel. No responsibility is assumed by Schneider Electric for any consequences arising out of the use of this material.

Introduction

This bulletin contains installation, wiring, and configuration instructions for TeSys N Self-Protected Combination Motor Controllers. To identify parts, see Figures 1 and 2 on pages 6 and 7.

Terminology

The TeSys N Self-Protected Combination Motor Controller is also referred to as the “TeSys N Combination Controller” or “controller” in this instruction bulletin.

The TeSys U starter is a component in the TeSys N Combination Controller.

Related Documentation

The following documents are referenced in this instruction bulletin and are available from www.schneider-electric.com.

Catalog

- *TeSys U Starter-Controller Catalog*, DIA1ED2081003EN

Instruction Sheets

- *LU•B/LU•S• TeSys U Starters Instruction Sheet*, 1629984
- *LUCM/LUCMT/LUCBT/LUCDT Control Units Instruction Sheet*, AAV40504
- *LUCA/LUCB/LUCC/LUCD Control Units Instruction Sheet*, AAV40503

Quick Start Guides

- *TeSys U Modbus Quick Start Guide*, 1672605
- *TeSys U Profibus DP Quick Start Guide*, 1672606
- *TeSys U Advantys STB Quick Start Guide*, 1672608
- *TeSys U AS-i Quick Start Guide*, 1672615
- *TeSys U CANopen Quick Start Guide*, 1672604
- *TeSys U DeviceNet with third party PLC Quick Start Guide*, 1672607

Manuals

- *TeSys U Communication Variables User's Manual*, 1744082
- *LULC032-LULC033 Modbus Module User's Manual*, 1743234
- *LULC07 Profibus DP Module User's Manual*, 1672610
- *LULC08 CANopen Module User's Manual*, 1744084
- *LULC09 DeviceNet Module User's Manual*, 1744085
- *LULC15 Advantys STB Module User's Manual*, 1744083
- *LUCM/LUCMT Multifunction Control Units User's Manual*, 1743237
- *TeSysPort User Guide TCSEQM113M13M*, 31007460
- *TeSys U ASILUFC5-ASILUFC51 AS-i Communication Module User Manual*, 1639093
- *Electromagnetic Compatibility—Practical Installation Guidelines*, DEG999

Product Support

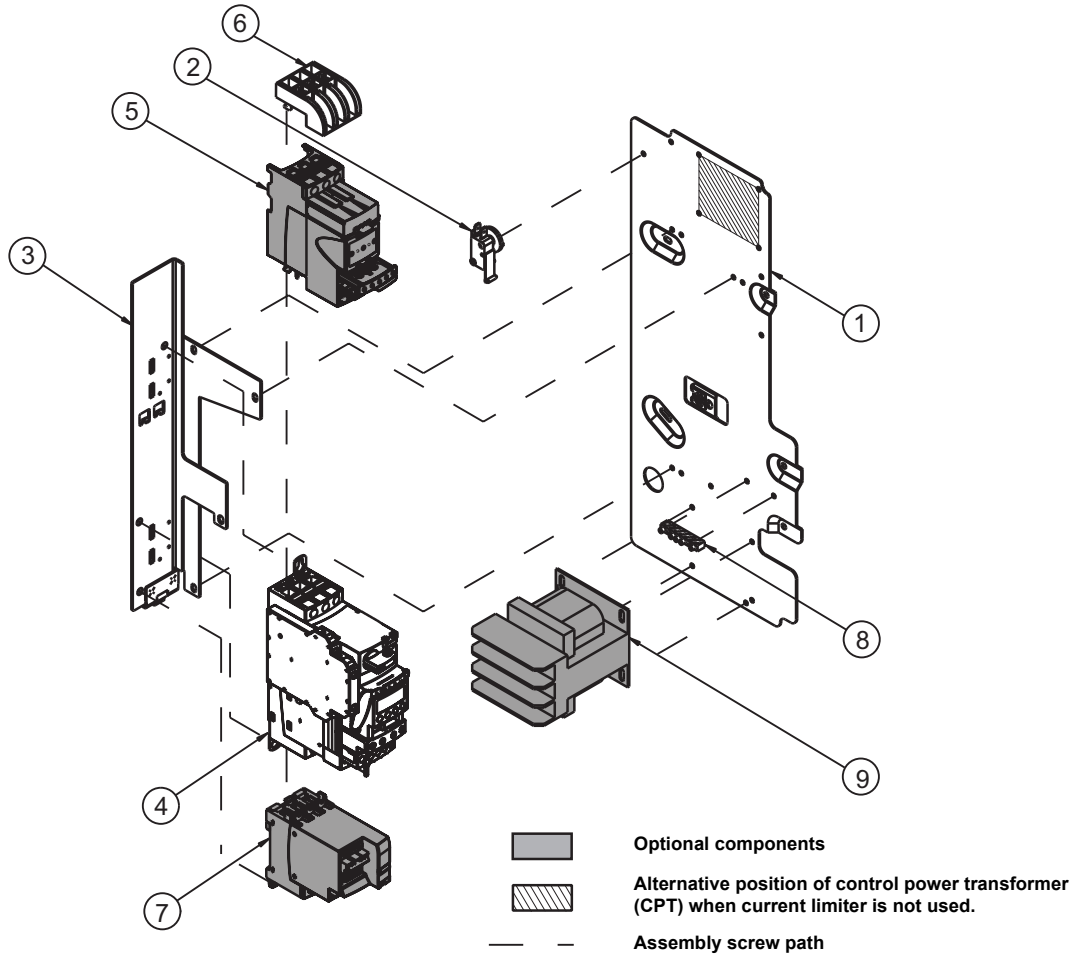
For troubleshooting or repair assistance, call 1-888-778-2733 or contact your local Schneider Electric representative.

Spare Parts

For spare parts not listed in this document, consult catalog DIA1ED2061002EN-US, available from www.schneider-electric.com.

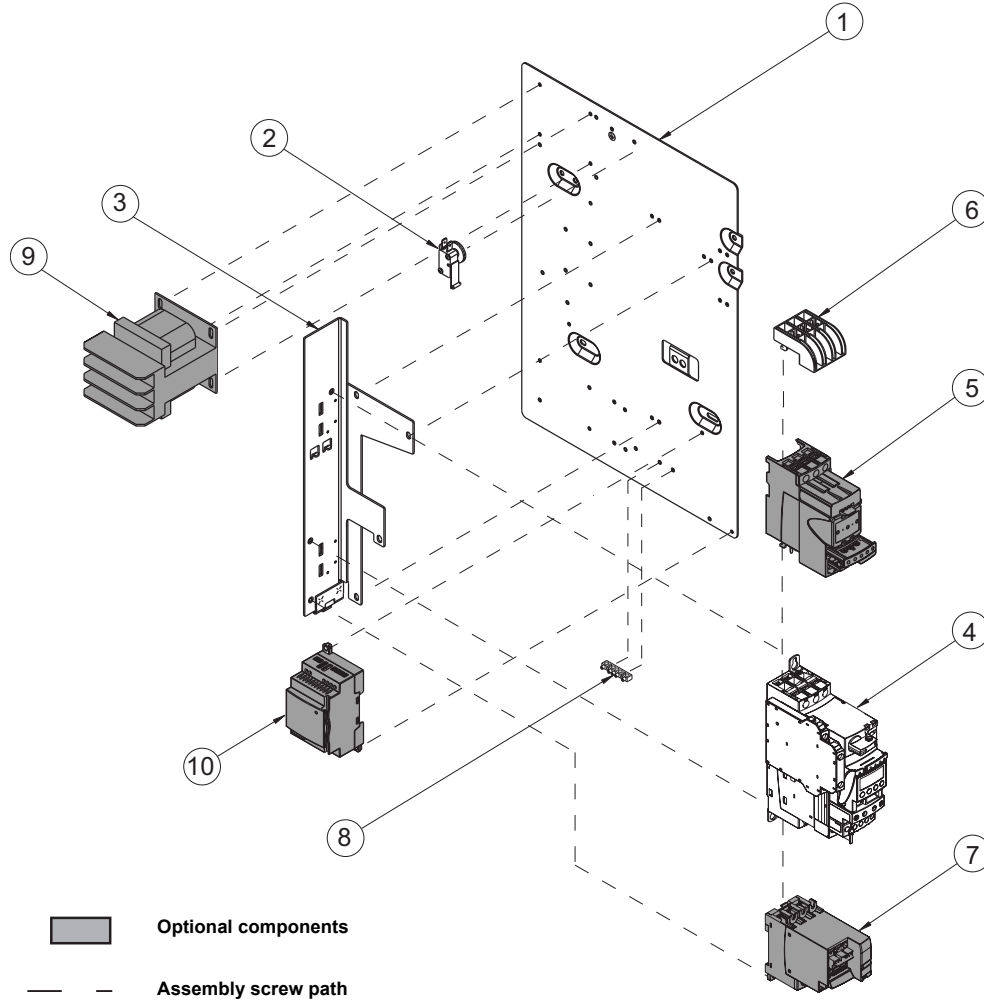
Assembly

Figure 1: Non-Communicating Units



Item	Description	Part Number
1	Back panel	—
2	Limit switch	XEP3S1W3B529
3	Hinged bracket	—
4	TeSys U starter	The TeSys U starter is composed of a power base, a control unit, and a control circuit contact block. For more information and available accessories, refer to Table 1 on page 8.
5	Current limiter	LUALB1
6	Phase barrier	LU9SP0
7	Reversing module	24 Vac coil: LU2MB0B 120/208/240 Vac coil: LU2MB0FU
8	Ground bar	40230-898-62
9	Control power transformer (CPT)	See Table 5 on page 27.

Figure 2: Communicating Units



Item	Description	Part number
1	Back panel	—
2	Limit switch	XEP3S1W3B529
3	Hinged bracket	—
4	TeSys U starter	The TeSys U starter is composed of a power base, a control unit, and a control circuit contact block. For more information and available accessories, refer to Table 1 on page 8.
5	Current limiter	LUALB1
6	Phase barrier	LU9SP0
7	Reversing module	LU2MB0BL
8	Ground bar	40230-898-62
9	Control power transformer (CPT)	480/120 Vac: 9070TF100D1 600/120 Vac: 9070TF100D5
10	Phaseo™ power supply	ABL8MEM24012

TeSys U Starter

Accessories

See Figure 3 on page 9 for the lettered items.

Table notes:

- 1 “••” = Complete the catalog numbers by adding the appropriate full-load amperage code from Table 6 on page 28.
- 2 Multifunction control units must be used with 24 Vdc control power voltage.
- 3 Communication modules must be used with 24 Vdc control power voltage. They can only be used with 24 Vdc control units (Item B).
- 4 Only one type of module can be installed in the TeSys U starter.
- 5 1 N.O. / 1 N.C. instantaneous auxiliary contacts are provided as standard with the TeSys U starter. For additional auxiliary contacts, select an auxiliary contact module.

Table 1: Accessories

Item	Component	Description	Part Number
A	TeSys U starter	Provides power poles for the controller.	LUB32NR
B	Advanced three-phase control unit	Provides a class 10 (LUCB) or 20 (LUCD) trip characteristic and manual/auto reset when used with an appropriate function module.	LUCD••B 1 LUCD••BL LUCD••FU LUCB••B 1 LUCB••BL LUCB••FU
	Advanced single-phase control unit	Provides a class 10 trip characteristic for a single phase system and manual/auto reset when used with an appropriate function module.	LUCC••B 1 LUCC••BL LUCC••FU
	Multifunction control unit 2	Provides a selectable class 5–30 trip characteristic, with additional programmable protection functions and built-in Modbus™ communication.	LUCM••BL 1
C 4	Communication modules 3	Allow serial communication via Modbus, CANopen, DeviceNet and other common communication protocols. Ethernet TCP/IP communications are possible with the Modbus communication option and a TeSysPort gateway.	Modbus: LULC033 CANopen: LULC08 DeviceNet: LULC09 Profibus: LULC07 Advantys STB: LULC15 AS-Interface: ASILUFC5 AS-Interface V2: ASILUFC51 Beckoff: LULC14 Ethernet IP: LULC033 + TCSEQM113M13M + VW3A8306R10
	Auxiliary contact modules	Provide a hard contact to monitor the status of the power poles. 5	2 N.O.: LUFN20 1 N.O./1 N.C.: LUFN11 2 N.C.: LUFN02
	Other function modules	Provide alarm indications, fault indications (overload or short circuit), manual or automatic reset on overload trip, and indication of motor load in amperes.	Fault differentiation with manual reset: LUFDH11 Fault differentiation with auto reset: LUFDA10 Thermal overload pre-alarm: LUFW10 Motor load indication: LUFV2
D	Auxiliary contact blocks	Indicate ready position of the control handle and provide fault signalling.	1 N.O./1 N.C.: LUA1C11 2 N.O.: LUA1C20
E	Current limiter / isolator module	Mounts directly to the TeSys U starter and provides increased short-circuit protection.	LUALB1
F	Reversing blocks	Required for reversing applications.	LU2MB0•• 1 LU6M0••

Table 1: Accessories (continued)

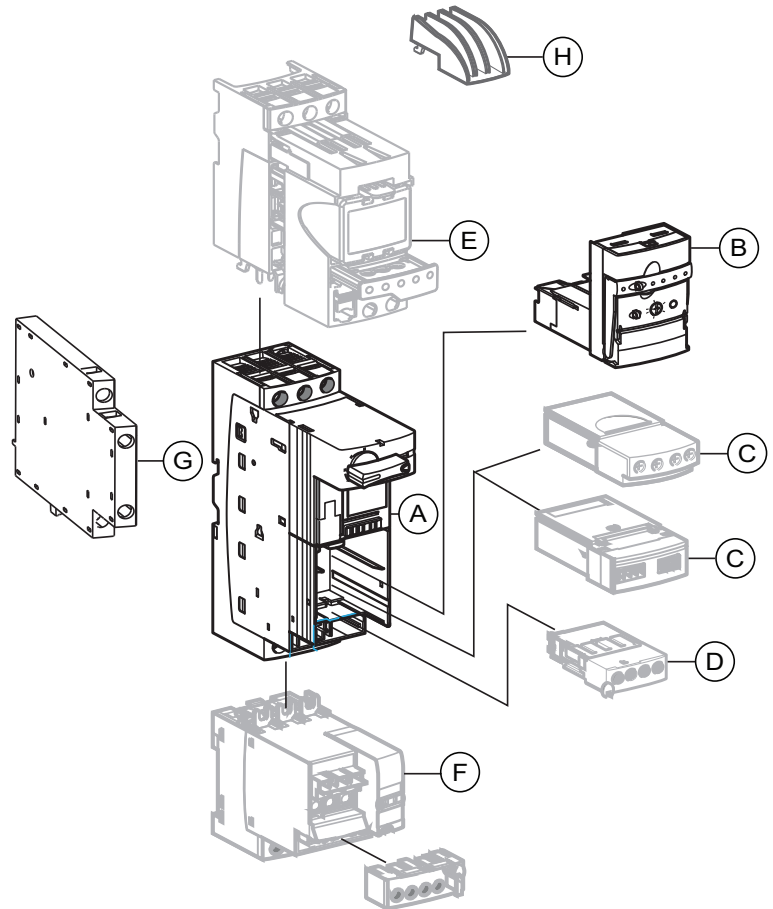
Item	Component	Description	Part Number
G	Control circuit contact block	Disconnect control power in association with the state of the TeSys U starter.	LUA8E20
H	Line phase barrier	Required for UL 508 Type E self-protected combination motor controller applications.	LU9SP0

Components

Shaded components:
Optional. Required only for certain configurations.

Unshaded components:
Required. Supplied as standard with each configuration.

Figure 3: TeSys U Starter Components



Dimensions

The TeSys N controller is available in NEMA 1, 12/3R, and 4/4X enclosures. For each enclosure type, two sizes are available: standard and oversize.

NEMA 1 Enclosures

Figure 4: NEMA 1, Standard

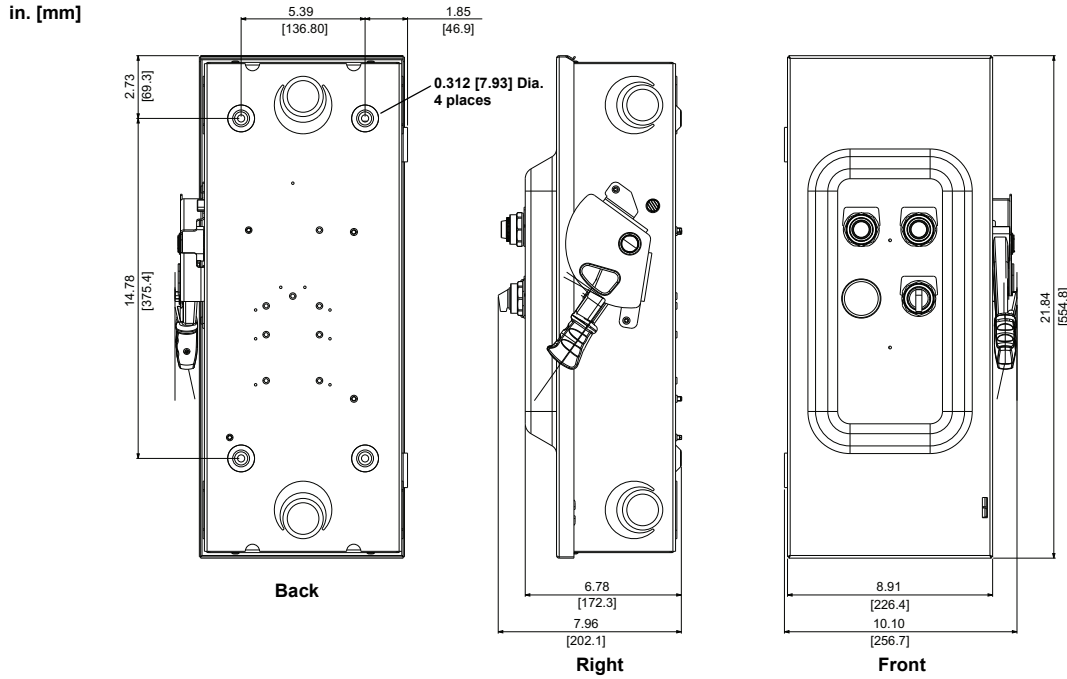
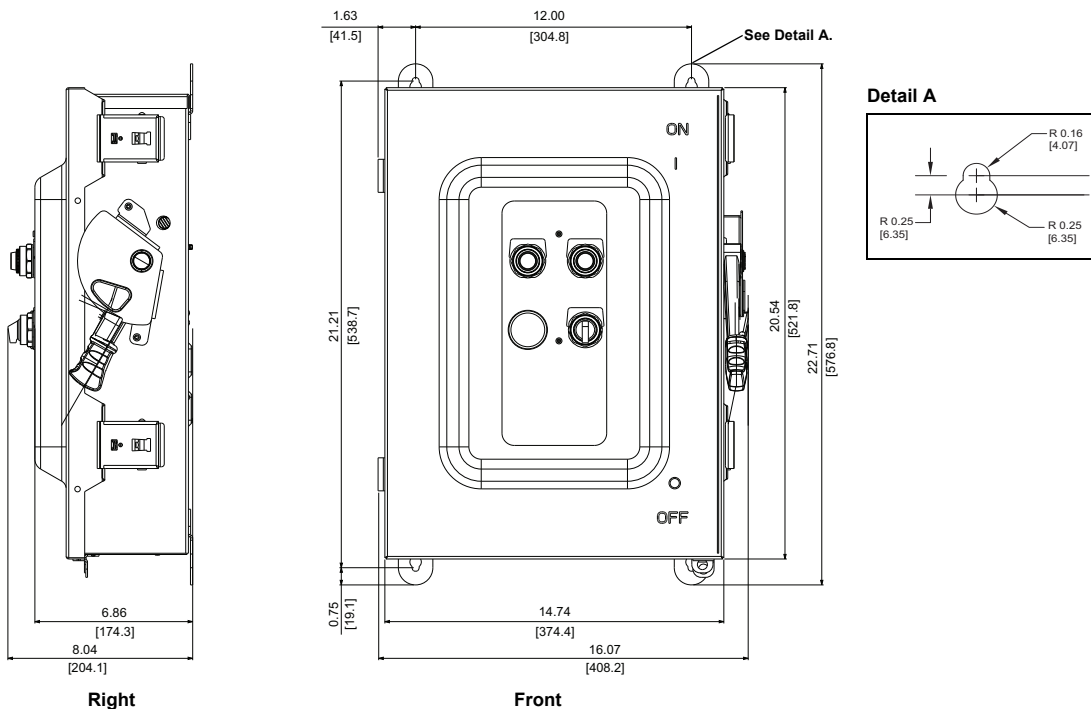


Figure 5: NEMA 1, Oversize

in. [mm]



NEMA 12/3R Enclosures

Figure 6: NEMA 12/3R, Standard

in. [mm]

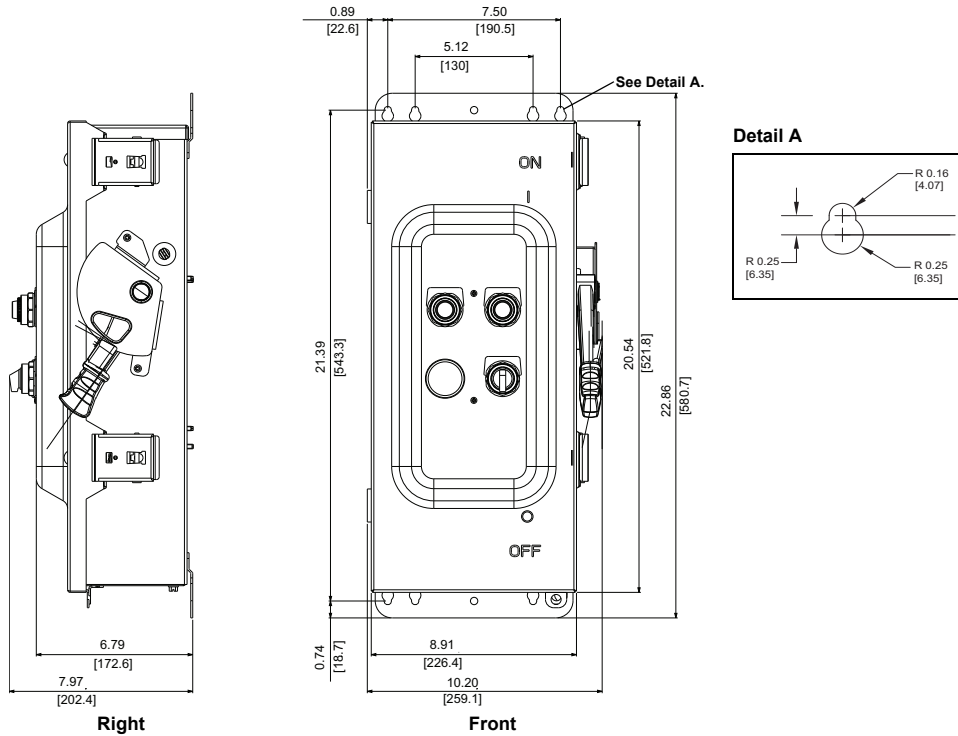
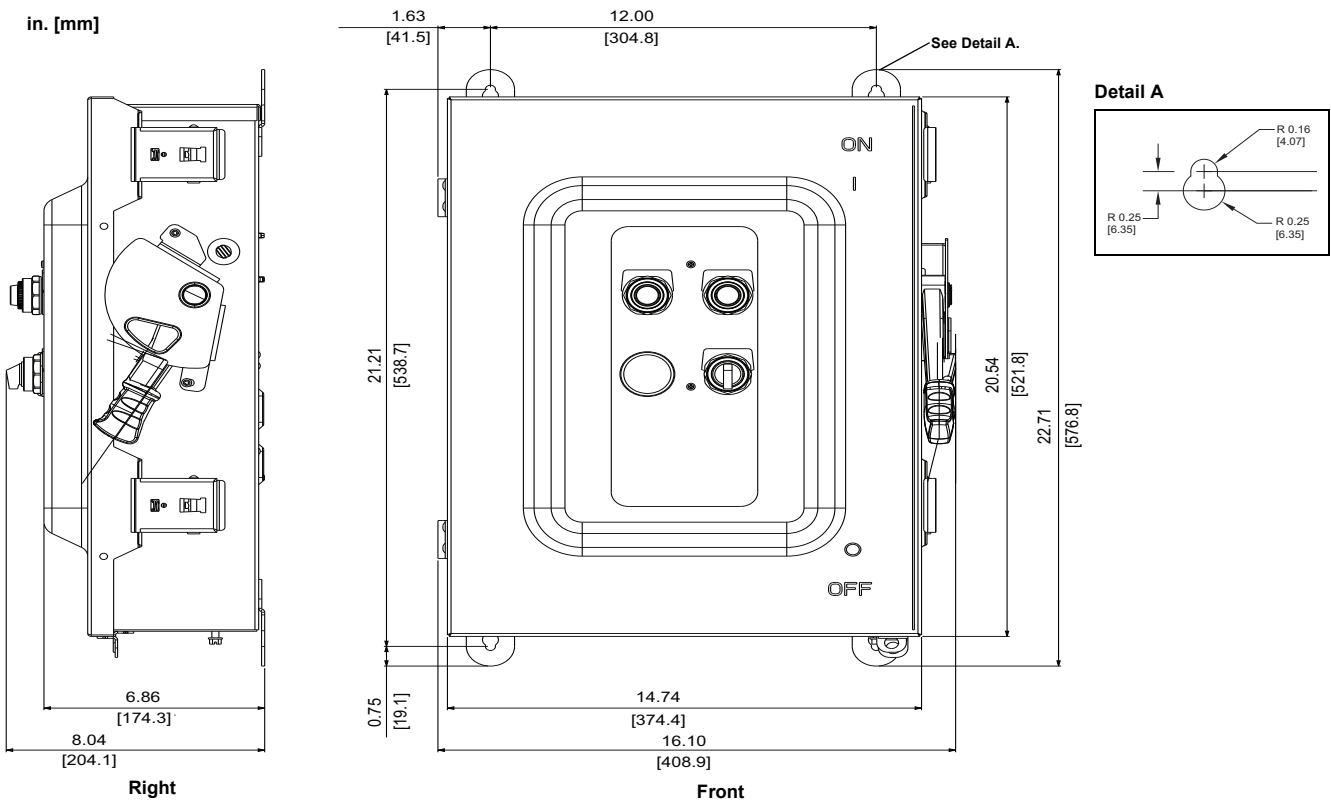


Figure 7: NEMA 12/3R, Oversize

in. [mm]



NEMA 4/4X Enclosures

Figure 8: NEMA 4/4X, Standard

in. [mm]

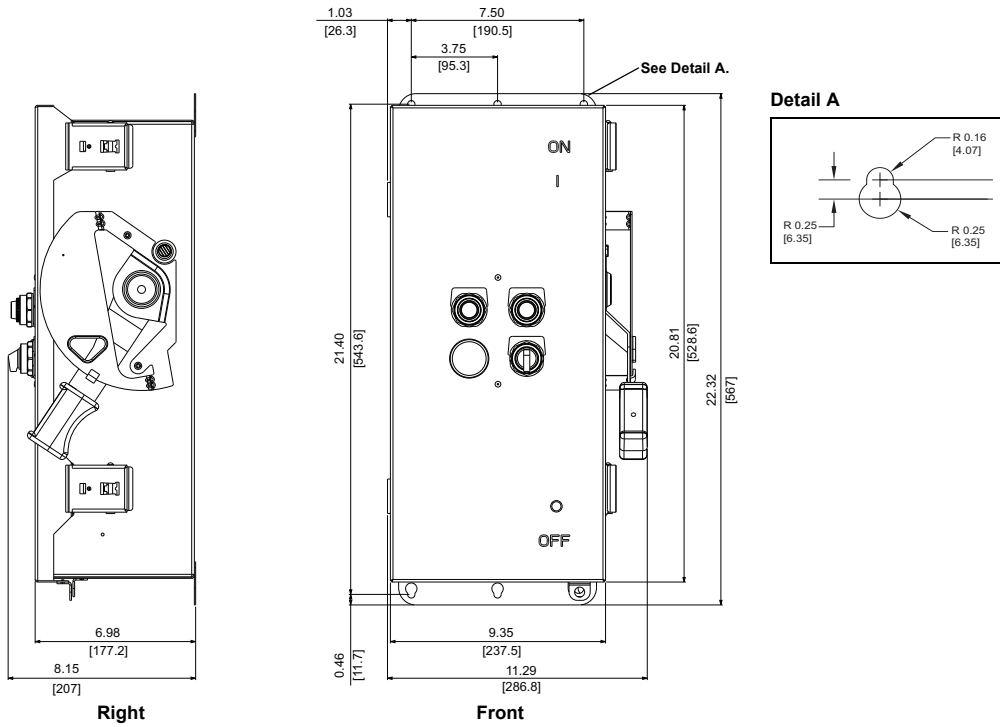
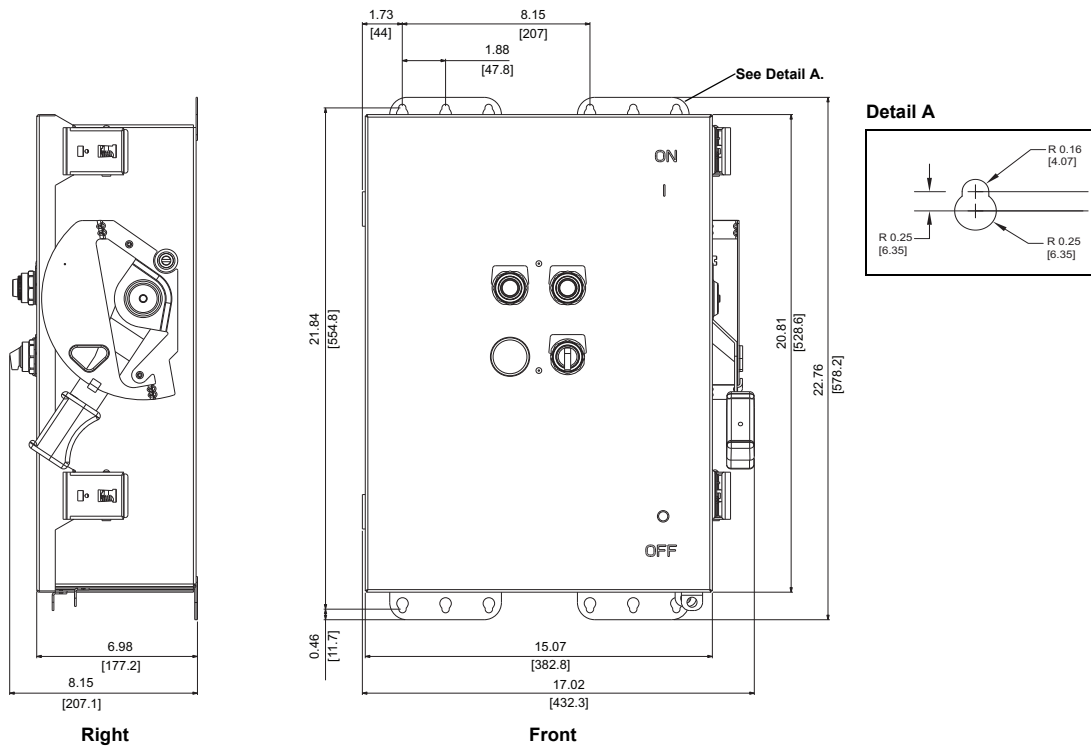


Figure 9: NEMA 4/4X, Oversize

in. [mm]



Installation

⚠ DANGER

HAZARD OF ELECTRIC SHOCK, EXPLOSION, OR ARC FLASH

- Apply appropriate personal protective equipment (PPE) and follow safe electrical work practices. See NFPA 70E®, Standard for Electrical Safety in the Workplace®, or CSA Z462.
- This equipment must only be installed and serviced by qualified electrical personnel.
- Turn off all power supplying this equipment before working on or inside the equipment.
- Always use a properly rated voltage sensing device to confirm power is off.
- Replace all devices, doors, and covers before turning on power to this equipment.

Failure to follow these instructions will result in death or serious injury.

Mounting the Controller

⚠ WARNING

HANDLING AND LIFTING HAZARD

Lifting the oversize units requires two people and a lifting table.

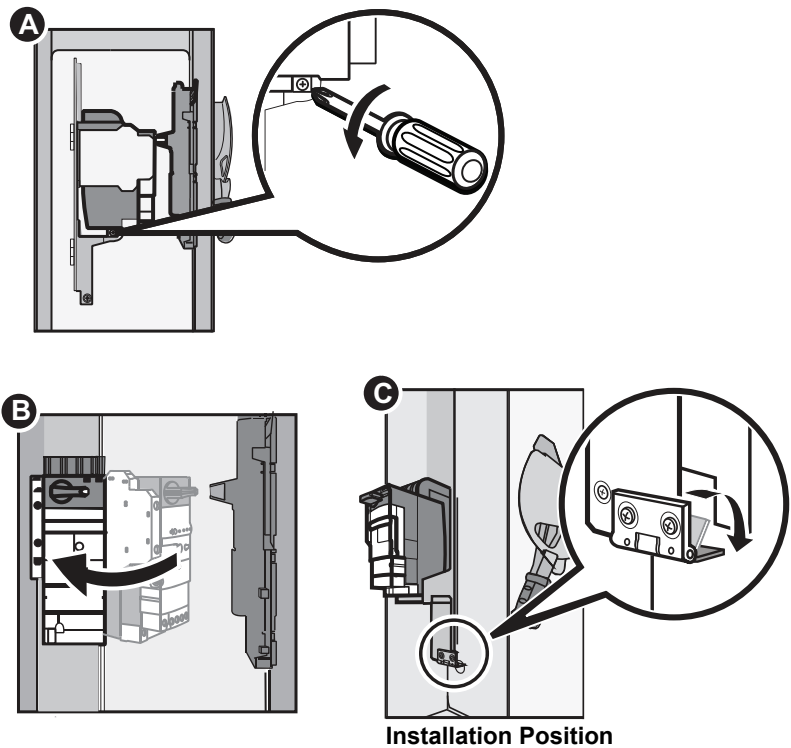
Failure to follow these instructions can result in death, serious injury or equipment damage.

1. **Disconnect all power.**
2. Turn the disconnect handle to the Off position and open the enclosure door.
3. Prepare the enclosure for line and load conduit entry.
 - For NEMA 1 enclosures, remove the provided knockouts as needed.
 - For NEMA 12/3R and 4/4X enclosures, drill conduit entries and install hubs rated for the required environmental rating. See Table 3 on page 27 for available hubs.
4. Select a vertical mounting surface:
 - Select a flat, solid, noncombustible mounting surface capable of supporting the controller's weight.
 - Plan enough space around the controller for the disconnect handle to operate.
5. Mount the enclosure at all four mounting points. See Figures 4–9 (pages 10–12) for mounting hole locations.
 - Use hardware rated for the weight of the controller, the expected shock and vibration of the installation, and the expected environment.
 - To maintain seismic qualification, use SAE Grade 5 mounting hardware and appropriate Belleville washers.
 - Torque the hardware to the values specified by the manufacturer to obtain the full strength of the anchors.

Opening the Hinged Assembly to the Installation Position

The controller ships with the TeSys U starter secured to the back panel of the enclosure. To wire, configure, or troubleshoot the controller and to install control units or optional modules, swing the assembly out to the installation position as follows.

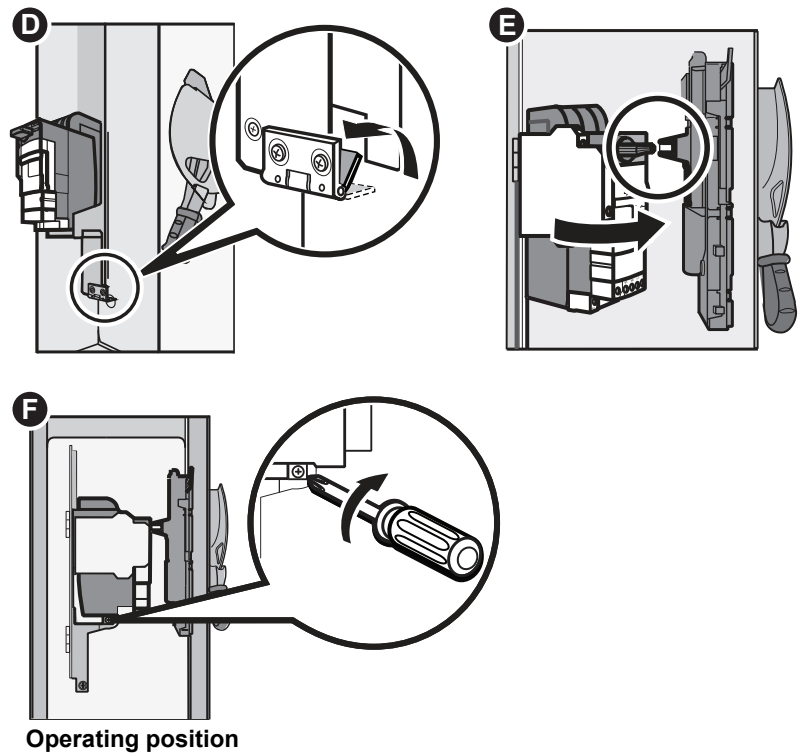
1. Loosen the screw that secures the assembly to the back panel one quarter turn (A) and swing the TeSys U starter out so that the front faces you (B).
2. The bracket latch should unfold at the bottom of the hinged assembly to secure it in position for installation (C). Verify that the latch is down and that the assembly is secure before working on the TeSys U starter.



Closing the Hinged Assembly to the Operating Position

When installation, wiring, and configuration are complete, return the hinged assembly to the operating position as follows.

1. Make sure the operating knob on the TeSys U starter is in the Off position (E). If the knob is not in the Off position, the hinged assembly will not swing into place.
2. Lift the latch at the bottom of the hinged assembly (D) and swing it to operating position (E).
3. Secure the assembly to the back panel with one quarter turn of the captive securing screw (F).



Wiring

⚠ DANGER

HAZARD OF ELECTRIC SHOCK, EXPLOSION, OR ARC FLASH

- Read the precautions on page 13.
- Turn off all power supplying this equipment before working on or inside the equipment.
- Follow the wiring practices described in this document in addition to those required by the National Electrical Code (NEC®) and local codes.

Failure to follow these instructions will result in death or serious injury.

Power Wiring

The power terminals are rated to accept up to two wires. See Table 4 on page 27 for wire gauge requirements and terminal torques.

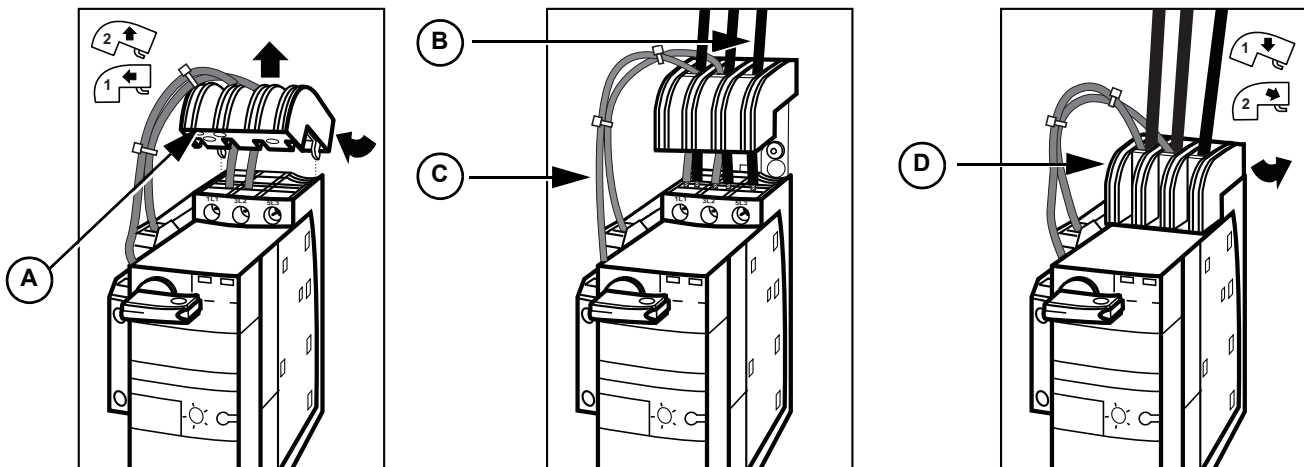
When planning line and load cable lengths, ensure that there is enough slack at the top and bottom of the TeSys U starter to swing the hinged assembly back into the operating position when wiring is complete.

Confirm that the motor being connected to the controller has the same or lower horsepower rating as the controller.

Line Side Wiring

1. Place the hinged assembly in the installation position. See page 14.
2. Remove the phase barrier (A) to expose the line terminals. See Figure 10. Pull the phase barrier (A) out towards you to release the hooks at the back from the power terminal slots, then slide the phase barrier up the control wiring and out of the way.
3. Route the line wiring through the phase barrier and install it at terminals 1L1, 3L2, and 5L3 (B). Make sure the tap wires (C) to the control circuit remain in place on terminals:
 - 1L1 and 3L2 for three-phase devices and
 - 1L1 and 5L3 for single-phase devices
4. Tighten the terminals to 17–22 lb-in (1.9–2.5 N•m).
5. Slide the phase barrier back down over the line terminals (D), making sure the phase barrier hooks engage in the slots of the line terminals.

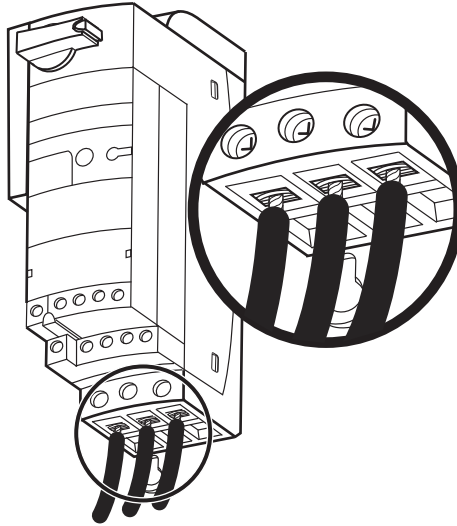
Figure 10: Line Side Wiring



Load Side Wiring

1. Install the load wiring at terminals 2T1, 4T2, and 6T3. See Figure 11.
2. Tighten the terminals to 17–22 lb-in (1.9–2.5 N•m).

Figure 11: Load Side Wiring



Ground Wiring

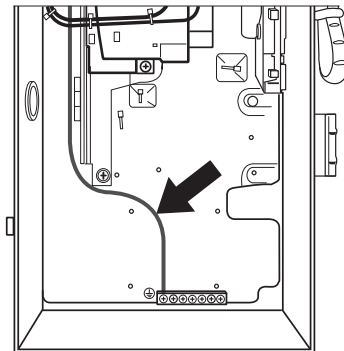
Install the ground wires on the grounding bar at the bottom of the enclosure. See Figure 12. There are typically three ground wires:

- Supply conduit
- Load conduit
- Control circuit conduit

Tighten the terminals as follows:

- #14–10 AWG (2.5–6 mm²): 35 lb-in (4 N•m)
- #8–6 AWG (10–16 mm²): 40 lb-in (4.5 N•m)

Figure 12: Ground Wire



Control Wiring

⚠ WARNING

UNINTENDED EQUIPMENT OPERATION

- When supplying 24 Vdc separate control, provide the control circuit with a grounding connection.
- For devices fitted with a communication module, keep the communication cabling segregated from all other wiring.

Failure to follow these instructions can result in death, serious injury, or equipment damage.

Follow these recommendations when installing the control wiring:

- The control circuit is factory wired with 16 AWG (1.5 mm²) cable. See the controller nameplate and Table 4 on page 27 for wire gauge requirements and terminal torques.
- Wire the necessary control command inputs and auxiliary contacts as indicated on the circuit diagram for the unit.
- Class CC, 5 A fuses are recommended for control circuit overcurrent protection.
- When laying control wiring across the hinged side of the door into the enclosure, thread the cables through the protective sleeve provided.
- For separate control devices, ensure that the control circuit is properly grounded.
- For devices fitted with a communication module, keep the communication wiring segregated from the line and load wiring and from other control wires.

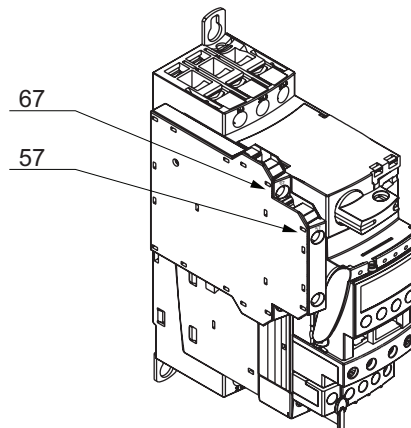
Common Control and Transformer Control

For common control and transformer control, the controller comes with the control circuit pre-wired. No additional wiring is required except for configurations with a Hand-Off-Auto selector switch.

Separate Control

For separate control, connect two control wires to contacts 57 and 67 of the control circuit contact block.

Figure 13: Terminals 57 and 67



Distant Control

Depending on the voltage, wire size, and number of control wires used, series impedance or shunt capacitance may limit the maximum distance of the wire run for remotely operated contactors and starters.

This contactor conforms to IEC60947-4-1, and the coils have demonstrated the ability to drop out when connected to a capacitance equivalent to 100 m (328 ft.) of 1.5 mm² (16 AWG) control wire. For control wire runs of significant length, consider the effects of series impedance and shunt capacitance.

For more information, obtain data bulletin 24572-EN from www.schneider-electric.com or your local Schneider Electric field office.

Labels

The controller ships with English language labels applied to the enclosure. French and Spanish labels are supplied in the documentation pouch. Place the appropriate language version over the English labels as necessary.

Configuration

Setting the Full-Load Current (FLA) with an Advanced Control Module

For controllers with an advanced control module (Types LUCB, LUCC, LUCD), the motor full-load current is set by a dial on the front of the unit as follows. See Figure 15.

1. Place the hinged assembly in the installation position. See page 14.
2. Pull down the locking handle of the advanced control module (**A**).
3. Using a flat-blade or Phillips screwdriver, set the dial to the required full-load current (**B**).
 - If the motor has a 1.0 service factor, multiply the motor full-load current by 0.9 and adjust the dial to that number.
 - If the motor has a 1.15 to 1.25 service factor, set the adjustment dial to the motor full-load current.
4. Pull the locking handle of the advanced control module back up (**C**). Make sure the handle is locked into position.

Figure 14: Advanced Control Module

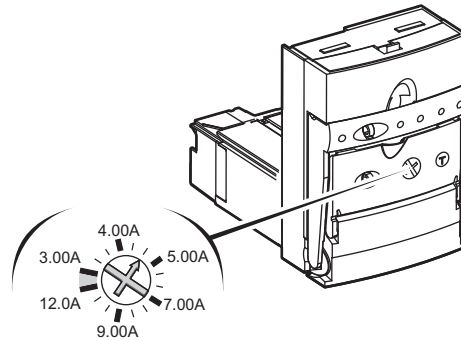
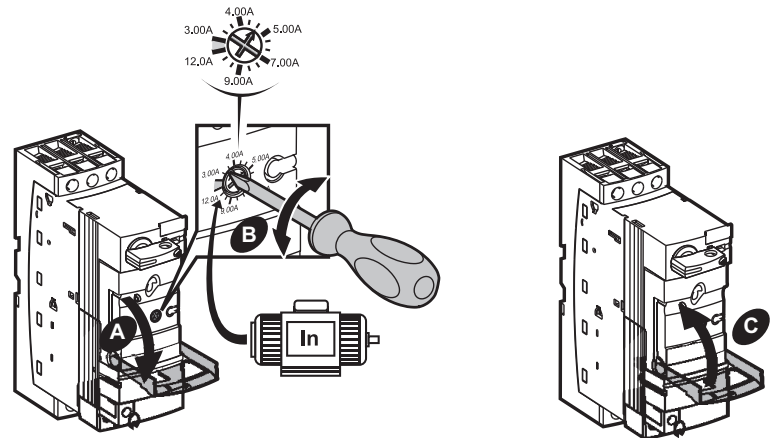


Figure 15: Setting the Full-Load Current



Setting the Address of a Communication Module

If the TeSys N controller is ordered with a communication module, the communication module is pre-installed and pre-wired. If the communication module is ordered separately from the controller, refer to "Installing a Communication Module" on page 26 before performing the steps in this section.

You must set the address of the communication module before it will function.

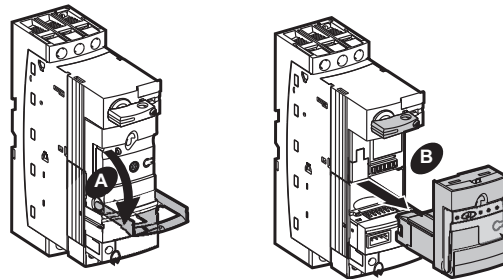
If your communication module is for one of the following protocols, you must set the address over the network with the PLC software. Refer to the documentation for your communication module for more information. See page 5.

- Beckoff (LULC14)
- AS-Interface (ASILUFC5)
- AS-Interface V2 (ASILUFC51)

For any other communication module, set the address as follows.

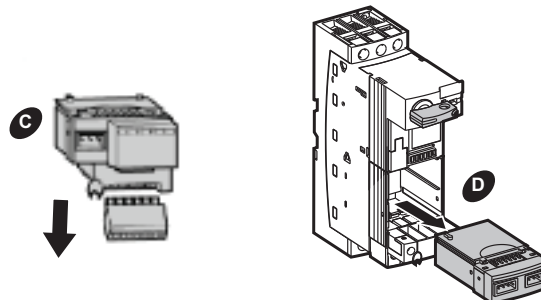
1. If the configuration does not include a control unit, skip to Step 2. Otherwise, pull down the locking handle of the control unit (**A**) then remove the control unit from the TeSys U starter (**B**). See Figure 16.

Figure 16: Remove the Control Unit



2. Remove the plug-in terminal block from the communication module to avoid damaging the wiring (**C**) and remove the communication module from the TeSys U starter (**D**). See Figure 17.

Figure 17: Remove the Terminal Block and Communication Module



3. The communication module address is set by switches on the underside of the module. See Figure 18.

The communication module ships with the address factory set to “1.” The range of accepted address values varies with the communication protocol. Address coding is in binary format with the least significant bit on the right, indicated by the up arrow in Figure 19. Address “0” is not valid.

Figure 19 shows Modbus communication module LULC033 as an example. The number of DIP Switches varies according to the communication module.

Figure 18: Address Switch Location

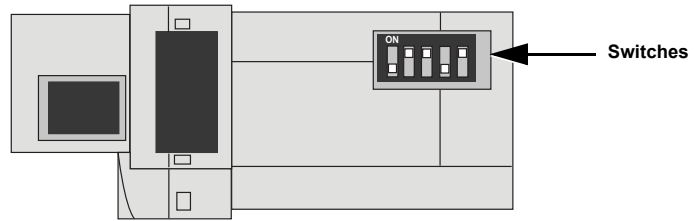
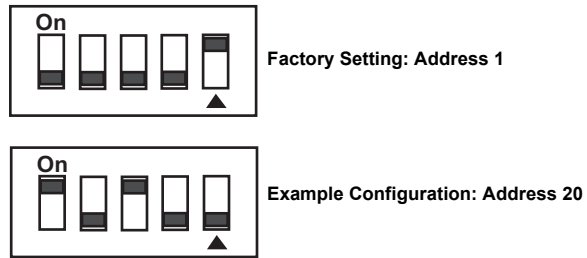
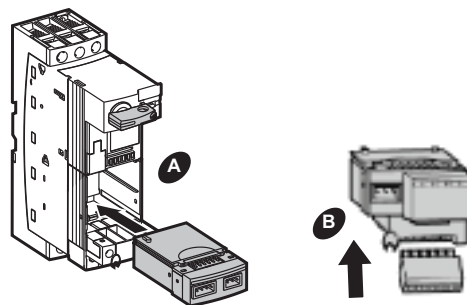


Figure 19: Address Examples



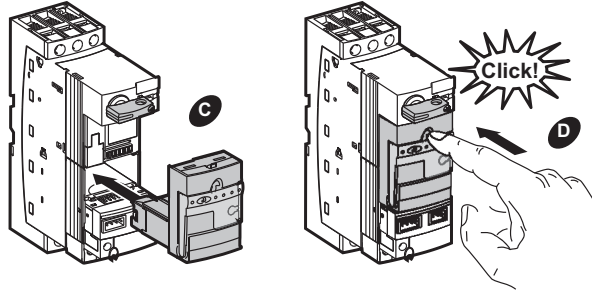
4. After the address is configured, reinstall the communication module (A) and reinstall the plug-in terminal block on the communication module (B). See Figure 20.

Figure 20: Reinstall the Communication Module and the Terminal Block



5. Return the locking handle to the original position. Then plug the control unit back into the TeSys U starter (C) until it clicks into place (D). See Figure 21.

Figure 21: Reinstall the Control Module



6. Certain communication modules require additional commissioning over the network with the PLC software in order to function. Refer to the documentation for your communication module for more information. See page 5.

Setting Basic Parameters with a Multifunction Control Module

DANGER

UNINTENDED EQUIPMENT OPERATION

Before operating the TeSys N controller:

- Turn off all power supplying this equipment before working on or inside the equipment.
- Read and understand the *TeSys U LUCM/LUCMT Multifunction User Guide*, document no. 1743237, before changing any parameters from the factory defaults.
- If the controller or the multifunction control module is replaced, the controller must be reprogrammed according to the instructions in document no. 1743237.
- Multifunction control units must be used with 24 Vdc control power voltage. Using the multifunction control unit with any other control power voltage will result in equipment damage and inoperability.

Failure to follow these instructions will result in death, serious injury, or equipment damage.

In order to configure and set the basic parameters of the multifunction control unit, 24 Vdc power must be supplied to the auxiliary power input of the device. See item 4 in Figure 22 (page 24). The multifunction control unit does not have to be installed in the TeSys U starter in order to be powered up and programmed.

The multifunction control unit interface is composed of two programs: the Main menu and the Config menu.

The first time the multifunction control unit is powered up, it is in Configuration mode. The interface will automatically display the Config menu. The Config menu can be accessed from the Main menu by performing a reset with the function **84_RstToDfts**.

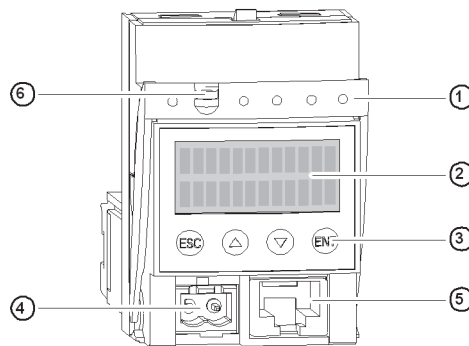
This section covers set up of the following basic parameters:

- Language
- Load type
- Full-load amperage
- Trip class

For information on setting other parameters, refer to the *Tesys U LUCM/LUCMT Multifunction Control Unit User Guide*, document no. 1743237. The guide is available from www.schneider-electric.com.

Keypad Features and Operation

Figure 22: Keypad Features



1	Locking and removal handle
2	LCD display
3	Keypad
4	24 Vdc auxiliary power supply ¹
5	RJ-45 communication port, Modbus RS-485
6	Option for sealing the locking handle

¹ Sealed connector on LUCMT

Table 2: Keypad Operation

ESC	Move up one level in the menu. The ESC key does not save any settings.	You must press this key several times to return to the program.
▲ ▼	Browse in: • a program => sub-programs • a sub-program => functions • a function => settings	Some sub-programs include only functions and their settings. Others include functions with several parameters and their settings.
	Browse available settings.	The "=" sign precedes a factory setting or a user-defined setting. The "?" sign precedes available settings.
	Increase or decrease the value of the displayed setting.	To quickly increase or decrease the value of a setting, press and hold the key.
ENT	1. Move down one level in the program. 2. Confirm and save the displayed setting.	Once you have saved the setting: • The "?" sign is replaced by "=". • The setting is displayed for 2 seconds, then the display returns automatically to the next highest level.

In order to configure and set the basic parameters of the multifunction control unit, 24 Vdc power must be supplied to the auxiliary power input of the device. See item 4 in Figure 22 (page 24).

Selecting the Language

Available languages are English, French, Spanish, German, and Italian. The factory setting is English. If English is your preferred language, skip to "Selecting the Load Type" below. If English is not your preferred language, change the setting as follows:

1. Press ENT to start the configuration. The first function of the Config menu, Language, will be displayed. Press ENT to select Language.
2. Press the Down arrow to display your preferred language. The language will be preceded by the symbol "?."
3. Press ENT to save your preferred language. The "?" symbol will change to "=".
4. The display will automatically return to the Config menu after the language setting is saved.

Selecting the Load Type

The load type is factory set to three phase. If three phase is your preferred load type, skip to "Setting the Full-Load Amperage (FLA)" below. If your preferred load type is single phase, follow these steps:

1. Press the Down arrow key to display **Load Type** and press ENT to select it.
2. Press the Down arrow to display **? 1 PhMotor**.
3. Press ENT to save the setting. The "?" symbol will change to "=".
4. The display will automatically return to the Config menu after the load type setting is saved.

Setting the Full-Load Amperage (FLA)

1. Press the Down arrow to display **End Config**.
2. Press ENT to display **=No**.
3. Press the Down arrow to display **=Yes**.
4. Press ENT to save the setting and press ENT again to return to the Main menu.

NOTE: The device will time out if you wait too long before pressing ENT. If it does, press ENT to return to the Main menu.

5. Press the Down arrow to display **3_Setup** and press ENT to select it.
6. **31_FLASET** will be displayed. Press ENT to select it.
7. Press the Up arrow to display the full-load amperage value on the motor nameplate. The value will be preceded by the symbol "?."
8. Press ENT to save the setting. The "?" symbol will change to "=".
9. The display will automatically return to the 3_Setup menu after the setting is saved. Press ESC to return to the Main menu.

Setting the Trip Class

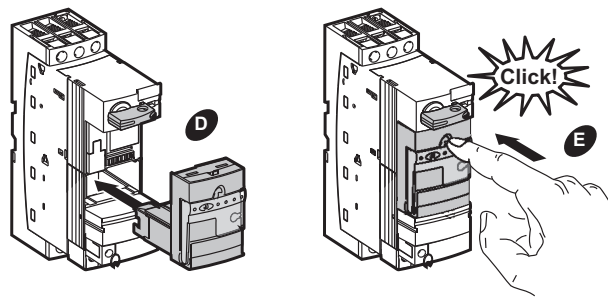
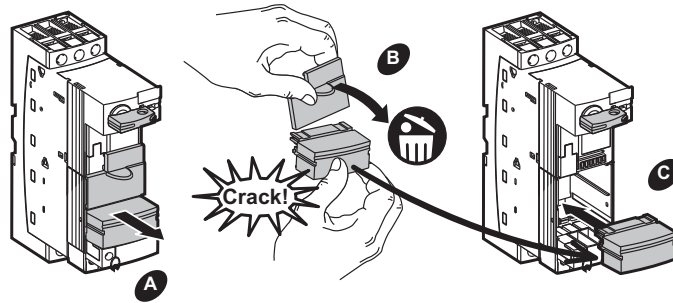
The trip class factory setting is class 5. To change the setting, follow these steps.

1. Press the Down arrow to display **4_AdvSetup** and press ENT.
2. **41_TripClass** will be displayed. Press ENT to select it.
3. **=5** will be displayed. Press the Up arrow to display your preferred trip class. The value will be preceded by the symbol "?."
4. Press ENT to save the setting. The "?" symbol will change to "=".
5. The display will automatically return to the 4_AdvSetup menu after the setting is saved. Press ESC to return to the Main menu.

Installing a Control Unit

If the TeSys U starter does not have a control unit, you must install one.

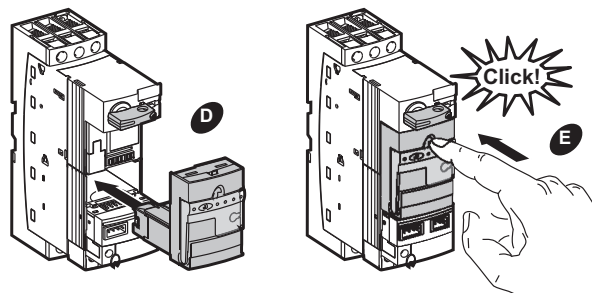
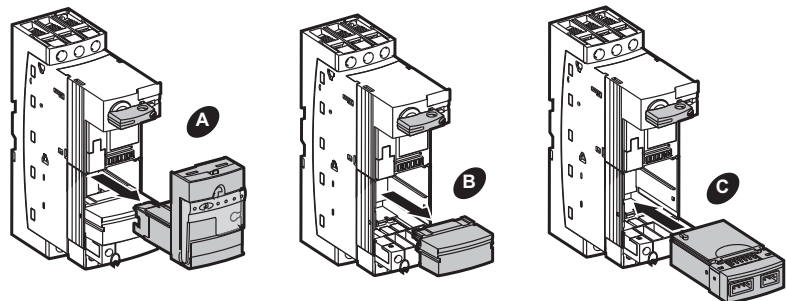
1. TeSys U starters shipped without a control unit have a plastic cover in the control unit's installation slot. Remove the plastic cover (A).
2. Break off the top of the plastic cover and discard it (B).
3. Reinstall the lower part of the cover in the TeSys U starter (C).
4. Plug the control unit into the TeSys U starter above the plastic cover (D).
5. Push the control unit until it clicks into place (E).
6. If you need to remove the control unit, pull down the locking handle and use it to pull the control unit out of the starter.



Installing a Communication Module

Optional communication modules are available for the controller. Communication modules can only be used with 24 Vdc control units.

1. Pull down the control unit locking handle, remove the control unit from the TeSys U starter (A), and remove the plastic cover below the control unit (B).
2. Install the communication module in the TeSys U starter in place of the plastic cover (C).
3. Return the locking handle to the original position then plug the control unit into the TeSys U starter above the communication module (D).
4. Push the control unit until it clicks into place (E).
5. For wiring instructions, refer to the documentation for the communication protocol you are using. See "Related Documentation" on page 5.



Service and Reference Tables

Table 3: Hubs for NEMA 12, 4/4X, and 3R Applications

	Conduit Size									
	0.5 in.	0.75 in.	1 in.	1.25 in.	1.5 in.	2 in.	2.5 in.	3 in.	3.5 in.	4 in.
Water-tight Zinc Hub	H050	H075	H100	H125	H150	H200	H250	H300	H350	H400
Water-tight Chrome-Plated Hub	H050CP	H075CP	H100CP	H125CP	H150CP	H200CP	—	—	—	—
Rain-proof Hub	—	—	—	—	—	—	—	B300	B350	B400

Table 4: Recommended Wire Gauge

Power Circuit Connection Characteristics		
Stranded cable without cable end	1 conductor	14–8 AWG (2.5–10 mm ²)
	2 conductors	16–10 AWG (1.5–6 mm ²)
Stranded cable with cable end	1 conductor	16–10 AWG (1–6 mm ²)
	2 conductors	16–10 AWG (1–6 mm ²)
Solid cable	1 conductor	16–8 AWG (1–10 mm ²)
	2 conductors	16–10 AWG (1–6 mm ²)
Screwdriver	Phillips no. 2 or 1/4 in. slotted screwdriver	
Tightening torque	16–22 lb-in (1.9–2.5 N•m)	
Control Circuit Connection Characteristics		
Stranded cable without cable end	1 conductor	18–14 AWG (0.75–1.5 mm ²)
	2 conductors	18–14 AWG (0.75–1.5 mm ²)
Stranded cable with cable end	1 conductor	22–14 AWG (0.34–1.5 mm ²)
	2 conductors	22–14 AWG (0.34–1.5 mm ²)
Solid cable	1 conductor	18–14 AWG (0.75–1.5 mm ²)
	2 conductors	18–14 AWG (0.75–1.5 mm ²)
Screwdriver	Phillips no. 1 or 3/16 in. slotted screwdriver	
Tightening torque	7–10.5 lb-in (0.8–1.2 N•m)	

Table 5: Standard Capacity Control Power Transformers¹, Non-Communicating Units Only

Voltage Code	Primary / Secondary Voltage (Vac)	Control Power Transformer	Primary Fuse (2 required)	Secondary Fuse (1 required)
V89	120 / 24	9070TF100D7	25430-20200	25419-21000
V90	208 / 24	9070TF100D14	25430-20113	
V82	240 / 24	9070TF100D2	25430-20100	
V83	480 / 24	9070TF100D2	25430-20050	
V91	600 / 24	9070TF100D36	25430-20040	
V84	208 / 120	9070TF100D3	25430-20113	25419-20100
V80	240 / 120	9070TF100D1	25430-20100	
V81	480 / 120	9070TF100D1	25430-20050	
V86	600 / 120	9070TF100D5	25430-20040	

¹ For extra capacity and additional information, see the *Digest* or contact your closest Schneider Electric sales office.

Table 6: Control Unit Catalog Numbers

Trip Class	Full-Load Amperes (FLA)					
	0.15–0.6 A	0.35–1.4 A	1.25–5 A	3–12 A	4.5–18 A	8–12 A
10, Advanced, Three-Phase	LUCBX6**	LUCB1X**	LUCB05**	LUCB12**	LUCB18**	LUCB32**
20, Advanced, Three-Phase	LUCDX6**	LUCD1X**	LUCD05**	LUCD12**	LUCD18**	LUCD32**
10, Advanced, Single-Phase	LUCCX6**	LUCC1X**	LUCC05**	LUCC12**	LUCC18**	LUCC32**
Selectable from 5 to 30; Single-Phase and Three-Phase	LUCMX6BL	LUCM1XBL	LUCM05BL	LUCM12BL	LUCM18BL	LUCM32BL

** = Complete the catalog number by adding the appropriate voltage code from Table 7.

Table 7: Voltage Codes

Volts	24	110–240
DC	BL	—
AC	B	FU

Blue Power On Pilot Light

⚠ DANGER

HAZARD OF ELECTRIC SHOCK, EXPLOSION, OR ARC FLASH

- Apply appropriate personal protective equipment (PPE) and follow safe electrical work practices. See NFPA 70E®, Standard for Electrical Safety in the Workplace®, or CSA Z462.
- This equipment must only be installed and serviced by qualified electrical personnel.
- Turn off all power supplying this equipment before working on or inside the equipment.
- Always use a properly rated voltage sensing device to confirm power is off.
- Replace all devices, doors, and covers before turning on power to this equipment.

Failure to follow these instructions will result in death or serious injury.

If the TeSys N controller's external handle is in the Off position, and the blue Power On pilot light is illuminated, you must service the TeSys U starter (see item A in Table 1 on page 8 for replacement part).

See Table 8 for blue Power On pilot light status indications. See Table 9 for blue Power On pilot light replacement parts.

Table 8: Blue Power On Pilot Light Status Indications

	State of TeSys U Starter: On		State of TeSys U Starter: Off		State of TeSys U Starter: Tripped	
	Normal Operation	Service Required	Normal Operation	Service Required	Normal Operation	Service Required
TeSys N controller's external handle is in the Off position	N/A	Power On Light is On	Power On Light is Off	Power On Light is On	Power On Light is Off	Power On Light is On

Table 9: Blue Power On Pilot Light Replacement Parts

	Types 1, 12, 3R				Types 4, 4X			
	24 Vac/Vdc	120 Vac	208 Vac	240 Vac	24 Vac/Vdc	120 Vac	208 Vac	240 Vac
Light Module								
Blue LED Bulb	9001KP35LLL31	9001KP1LLL31	9001KP3LLL31	9001KP7LLL31	9001SKP35LLL31	9001SKP1LLL31	9001SKP3LLL31	9001SKP7LLL31
Blue Color Cap								
Power On Legend Plate	9001KN238Y3				9001KN238BP			

ENGLISH

**TeSys™ N Self-Protected Combination Motor Controller
Instruction Bulletin**

ENGLISH

Schneider Electric
1415 S. Roselle Road
Palatine, IL 60067 USA
1-888-778-2733
www.schneider-electric.com

Electrical equipment should be installed, operated, serviced, and maintained only by qualified personnel. No responsibility is assumed by Schneider Electric for any consequences arising out of the use of this material.

© 2013–2014 Schneider Electric. All Rights Reserved
Modbus, Phaseo, Schneider Electric, and TeSys are trademarks owned by Schneider Electric Industries SAS or its affiliated companies. All other trademarks are the property of their respective owners.

HRB85599 Rev. 02, 02/2014
Replaces HRB85599 Rev. 01, 11/2013

Controlador de motores combinado autoprotegido TeSys™ N

Boletín de instrucciones

HRB85599

Rev. 02, 02/2014

Conservar para uso futuro.



ESPAÑOL

Contenido

Categorías de riesgos y símbolos especiales	4
Introducción	5
Terminología	5
Documentación relacionada	5
Catálogo	5
Hojas de instrucciones	5
Guías de inicio rápido	5
Manuales	5
Asistencia técnica del producto	6
Refacciones	6
Ensamble	7
Arrancador TeSys U	9
Accesorios	9
Componentes	10
Dimensiones	11
Gabinetes NEMA 1	11
Gabinetes NEMA 12/3R	12
Gabinetes NEMA 4/4X	13
Instalación	14
Montaje del controlador	14
Apertura del ensamble abisagrado en la posición de instalación	16
Cierre del ensamble abisagrado en la posición de funcionamiento	16
Alambrado	17
Alambrado de alimentación	17
Alambrado del lado de línea	17
Alambrado del lado de carga	18
Alambrado de puesta a tierra	19
Alambrado de control	19
Control común y control del transformador	20
Control separado	20
Control a distancia	20
Etiquetas	20
Configuración	21
Ajuste de la corriente a plena carga (CPC) con un módulo de control avanzado	21
Configuración de la dirección de un módulo de comunicación	22
Configuración de los parámetros básicos con un módulo de control multifunción	25
Funcionamiento y características de la terminal de programación y ajustes	26
Selección del idioma	27
Selección del tipo de carga	27
Ajuste de la intensidad de corriente a plena carga (CPC)	27
Configuración de la clase de disparo	28
Instalación de una unidad de control	29
Instalación de un módulo de comunicación	29
Tablas de referencia y servicio	30
Lámpara piloto azul "Energizado"	32

Categorías de riesgos y símbolos especiales



Asegúrese de leer detenidamente estas instrucciones y realice una inspección visual del equipo para familiarizarse con él antes de instalarlo, hacerlo funcionar o prestarle servicio de mantenimiento. Los siguientes mensajes especiales pueden aparecer en este boletín o en el equipo para advertirle sobre peligros o llamar su atención sobre cierta información que clarifica o simplifica un procedimiento.

La adición de cualquiera de estos símbolos a una etiqueta de seguridad de "Peligro" o "Advertencia" indica la existencia de un peligro eléctrico que podrá causar lesiones personales si no se observan las instrucciones.

Este es el símbolo de alerta de seguridad. Se usa para avisar sobre peligros de lesiones personales. Respete todos los mensajes de seguridad con este símbolo para evitar posibles lesiones o la muerte.

PELIGRO

PELIGRO indica una situación de peligro inminente que, si no se evita, **podrá** causar la muerte o lesiones serias.

ADVERTENCIA

ADVERTENCIA indica una situación potencialmente peligrosa que, si no se evita, **puede** causar la muerte o lesiones serias.

PRECAUCIÓN

PRECAUCIÓN indica una situación potencialmente peligrosa que, si no se evita, **puede** causar lesiones menores o moderadas.

AVISO

AVISO se usa para hacer notar prácticas no relacionadas con lesiones físicas. El símbolo de alerta de seguridad no se usa con esta palabra de indicación.

NOTA: Proporciona información adicional para clarificar o simplificar un procedimiento.

Solamente el personal calificado deberá instalar, hacer funcionar y prestar servicios de mantenimiento al equipo eléctrico. Schneider Electric no asume responsabilidad alguna por las consecuencias emergentes de la utilización de este material.

Introducción

Este boletín contiene las instrucciones de instalación, alambrado y configuración para los controladores de motores combinados autoprotegidos TeSys N. Para identificar las piezas, consulte las figuras 1 y 2 en las páginas 7 y 8.

Terminología

El controlador de motores combinado autoprotegido TeSys N también se conoce como el "Controlador combinado TeSys N" o "controlador" en este manual de instrucciones.

El arrancador TeSys U es un componente en el controlador combinado TeSys N.

Documentación relacionada

Se hace referencia a los siguientes documentos en este boletín de instrucciones y están disponibles en el sitio web www.schneider-electric.com.

Catálogo

- *Catálogo del arrancador controlador TeSys U*, DIA1ED2081003EN

Hojas de instrucciones

- *Hoja de instrucciones de los arrancadores TeSys U LU•B/LU•S•*, 1629984
- *Hoja de instrucciones de las unidades de control LUCM/LUCMT/LUCBT/LUCDT*, AAV40504
- *Hoja de instrucciones de las unidades de control LUCA/LUCB/LUCC/LUCD*, AAV40503

Guías de inicio rápido

- *Guía de inicio rápido de TeSys U Modbus*, 1672605
- *Guía de inicio rápido TeSys U Profibus DP*, 1672606
- *Guía de inicio rápido TeSys U Advantys STB*, 1672608
- *Guía de inicio rápido de TeSys U AS-i*, 1672615
- *Guía de inicio rápido de TeSys U CANopen*, 1672604
- *Guía de inicio rápido de TeSys U DeviceNet con un PLC de terceros*, 1672607

Manuales

- *Manual del usuario de las variables de comunicación de TeSys U*, 1744082
- *Manual del usuario del módulo Modbus LULC032-LULC033*, 1743234
- *Manual del usuario del módulo Profibus DP LULC07*, 1672610
- *Manual del usuario del módulo CANopen LULC08*, 1744084
- *Manual del usuario del módulo DeviceNet LULC09*, 1744085
- *Manual del usuario del módulo Advantys STB LULC15*, 1744083
- *Manual del usuario de las unidades de control multifunción LUCM/LUCMT*, 1743237
- *Manual del usuario de TeSysPort TCSEQM113M13M*, 31007460
- *Manual del usuario del módulo de comunicación TeSys U ASILUFC5-ASILUFC51 AS-i*, 1639093
- *Directrices prácticas de instalación—Compatibilidad electromagnética*, DEG999

Asistencia técnica del producto

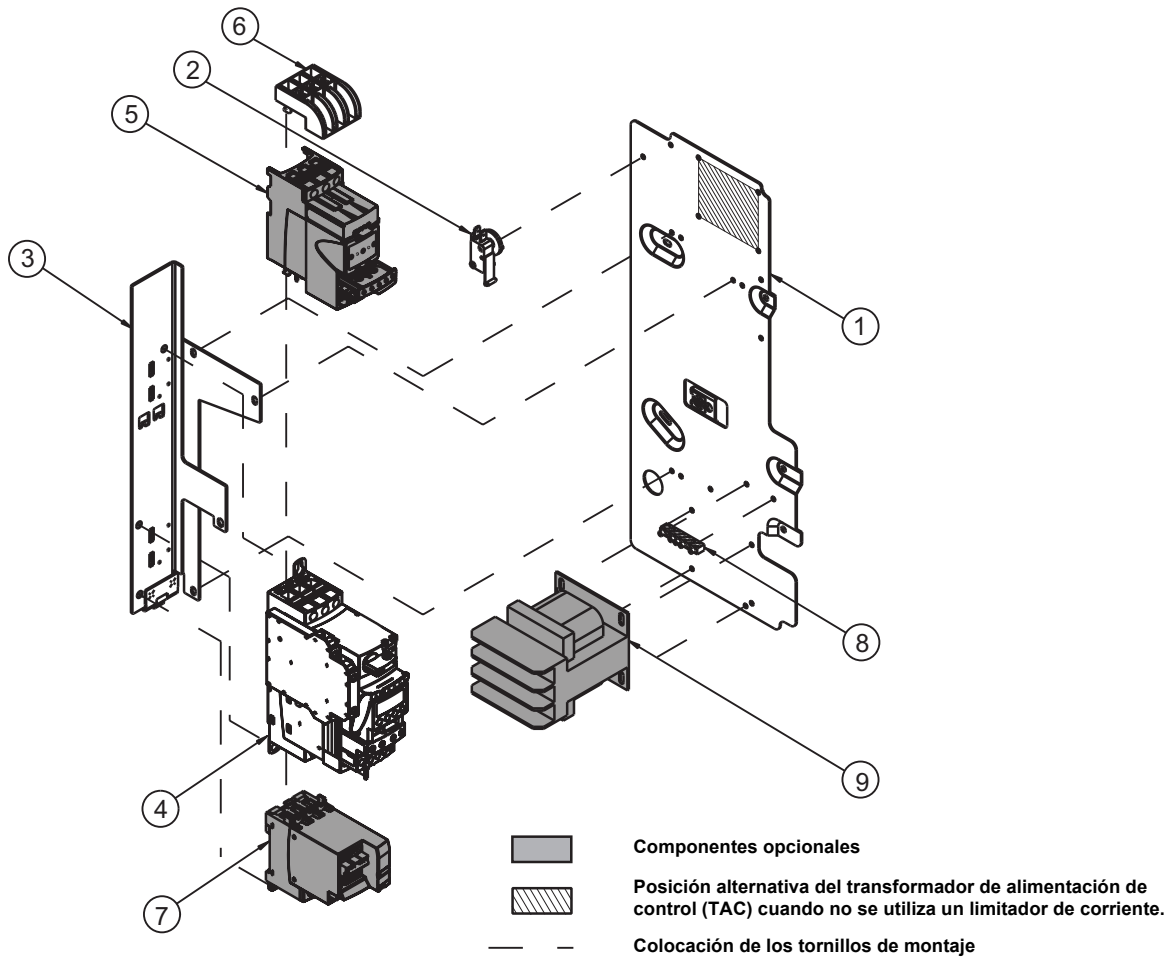
Si desea obtener información sobre el diagnóstico de problemas o asistencia de reparación, comuníquese con su representante local de Schneider Electric llamando al 1-888-778-2733.

Refacciones

Para obtener información sobre las refacciones que no figuran en este documento, consulte el catálogo DIA1ED2061002EN-US, disponible en el sitio web www.schneider-electric.com.

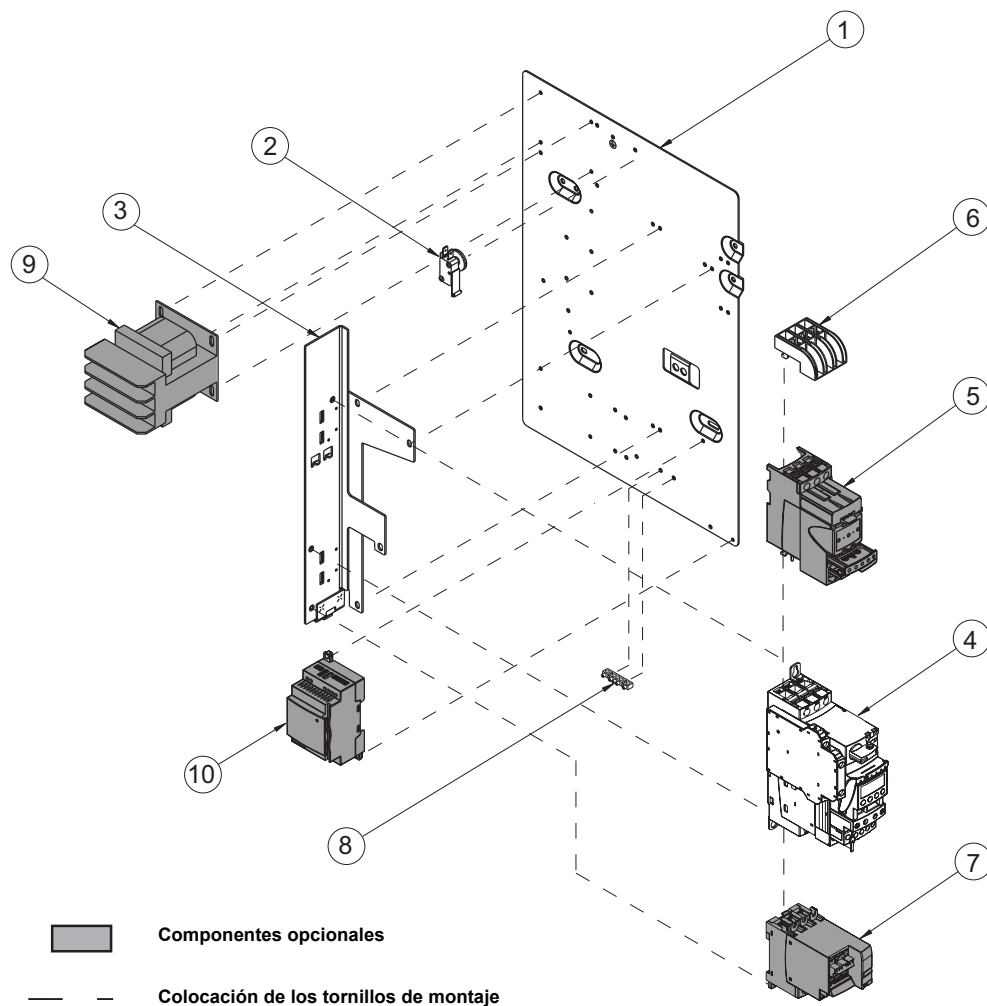
Ensamble

Figura 1: Unidades sin módulo de comunicación



Artículo	Descripción	Número de pieza
1	Panel trasero	—
2	Interruptor de límite	XEP3S1W3B529
3	Soporte abisagrado	—
4	Arrancador TeSys U	El arrancador TeSys U consiste en una base de potencia, una unidad de control y un bloque de contactos del circuito de control. Para obtener más información y disponibilidad de los accesorios, consulte la tabla 1 en la página 9.
5	Limitador de corriente	LUALB1
6	Barrera de fase	LU9SP0
7	Módulo inversor	Bobina de 24 V~: LU2MB0B Bobina de 120/208/240 V~: LU2MB0FU
8	Barra de tierra	40230-898-62
9	Transformador de alimentación de control (TAC)	Consulte la tabla 5 en la página 30.

Figura 2: Unidades con módulo de comunicación



Artículo	Descripción	Número de pieza
1	Panel trasero	—
2	Interruptor de límite	XEP3S1W3B529
3	Soporte abisagrado	—
4	Arrancador TeSys U	El arrancador TeSys U consiste en una base de potencia, una unidad de control y un bloque de contactos del circuito de control. Para obtener más información y disponibilidad de los accesorios, consulte la tabla 1 en la página 9.
5	Limitador de corriente	LUALB1
6	Barrera de fase	LU9SP0
7	Módulo inversor	LU2MB0BL
8	Barra de tierra	40230-898-62
9	Transformador de alimentación de control (TAC)	480/120 V~: 9070TF100D1 600/120 V~: 9070TF100D5
10	Fuente de alimentación Phaseo™	ABL8MEM24012

Arrancador TeSys U

Accesorios

Consulte la figura 3 en la página 10 para identificar los artículos marcados con una letra.

Notas de la tabla:

- 1 “••” = Complete los números de catálogo agregando el código de intensidad de corriente a plena carga apropiado de la tabla 6 en la página 31.
- 2 Las unidades de control multifunción deben usarse con tensión de alimentación de control de 24 Vcd.
- 3 Los módulos de comunicación deben ser utilizados con una tensión de alimentación de control 24 Vcd. Sólo se pueden utilizar con unidades de control de 24 Vcd (artículo B).
- 4 Sólo un tipo de módulo puede ser instalado en el arrancador TeSys U.
- 5 Contactos auxiliares instantáneos (1 N.A. y 1 N.C.) son incluidos normalmente con el arrancador TeSys U. Si desea contactos auxiliares adicionales, seleccione un módulo de contactos auxiliares.

Tabla 1: Accesorios

Artículo	Componente	Descripción	Número de pieza
A	Arrancador TeSys U	Proporciona los polos de potencia para el controlador.	LUB32NR
B	Unidad de control de tres fases avanzada	Proporciona una característica de disparo clase 10 (LUCB) o 20 (LUCD) y restablecimiento manual / automático cuando se utiliza con un módulo de funciones apropiado.	LUCD••B 1 LUCD••BL LUCD••FU LUCB••B 1 LUCB••BL LUCB••FU
	Unidad de control monofásica avanzada	Proporciona una característica de disparo clase 10 para un sistema monofásico y restablecimiento manual / automático cuando se utiliza con un módulo de funciones apropiado.	LUC••B 1 LUC••BL LUC••FU
	Unidad de control multifunción ²	Proporciona una característica de disparo seleccionable clase 5 a 30, con funciones de protección programables y un módulo de comunicación Modbus™.	LUCM••BL 1
C 4	Módulos de comunicación ³	Permite la comunicación en serie a través de Modbus, CANopen, DeviceNet y otros protocolos de comunicación comunes. Las comunicaciones Ethernet TCP/IP son posibles con la opción de comunicación Modbus y una pasarela TeSysPort.	Modbus: LULC033 CANopen: LULC08 DeviceNet: LULC09 Profibus: LULC07 Advantys STB: LULC15 AS-Interface: ASILUFC5 AS-Interface V2: ASILUFC51 Beckhoff: LULC14 Ethernet IP: LULC033 + TCSEQM113M13M + VW3A8306R10
	Módulos de contactos auxiliares	Proporcionan un contacto físico para supervisar el estado de los polos de potencia. ⁵	2 N.A.: LUFN20 1 N.A./1 N.C.: LUFN11 2 N.C.: LUFN02
	Otros módulos de funciones	Proporcionan indicaciones de alarma, indicaciones de fallas (sobrecarga o cortocircuito), restablecimiento manual o automático durante un disparo por sobrecarga y la indicación de carga del motor en amperes.	Diferenciación de fallas con restablecimiento manual: LUFDH11 Diferenciación de fallas con restablecimiento automático: LUFDA10 Prealarma de sobrecarga térmica: LUFW10 Indicación de carga del motor: LUFV2
D	Bloques de contactos auxiliares	Indican la posición disponible "READY" de la palanca de control y proporcionan señalización de fallas.	1 N.A./1 N.C.: LUA1C11 2 N.A.: LUA1C20
E	Módulo aislador / limitador de corriente	Se monta directamente en el arrancador TeSys U y proporciona una mayor protección contra cortocircuitos.	LUALB1

ESPAÑOL

Tabla 1: Accesorios (continuación)

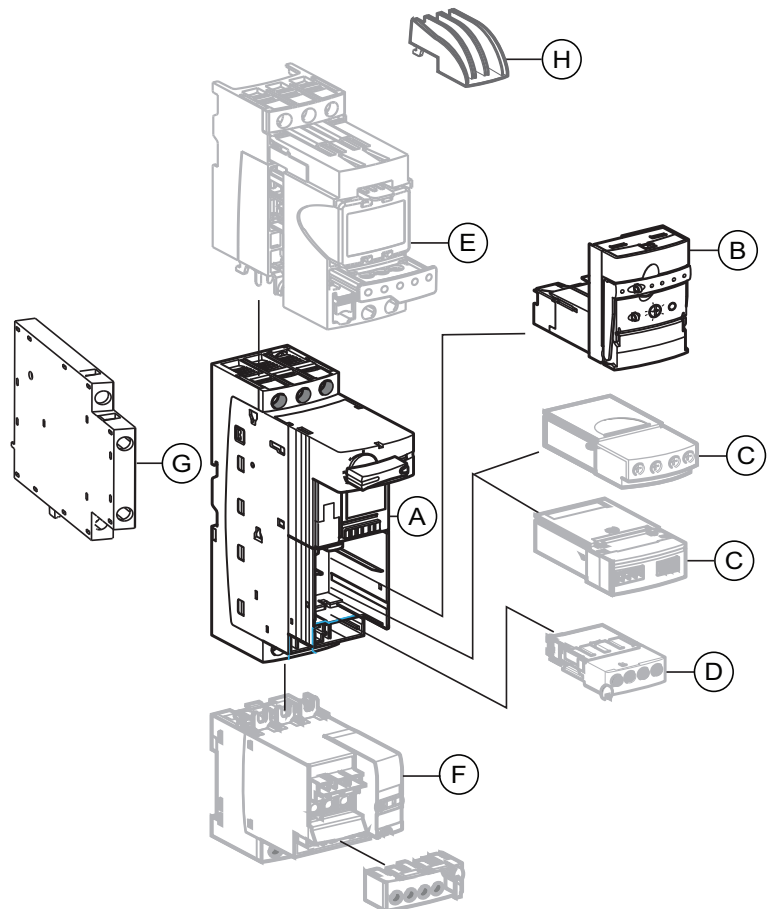
Artículo	Componente	Descripción	Número de pieza
F	Bloques inversores	Necesarios para las aplicaciones de inversión.	LU2MB0** 1 LU6M0**
G	Bloque de contactos del circuito de control	Desconecta la alimentación de control relacionada con el estado del arrancador TeSys U.	LUA8E20
H	Barrera de fase de línea	Necesaria para las aplicaciones de controlador de motores combinado autoprotegido UL 508 tipo E.	LU9SP0

Componentes

Componentes sombreados:
Opcional. Sólo es necesario para ciertas configuraciones.

Componentes no sombreados:
Requeridos. Se suministra normalmente con cada configuración.

Figura 3: Componentes del arrancador TeSys U



Dimensiones

El controlador TeSys N está disponible en los gabinetes NEMA 1, 12/3R y 4/4X. Para cada tipo de gabinete, están disponibles dos tamaños: estándar y extra grande.

Gabinetes NEMA 1

Figura 4: NEMA 1, estándar

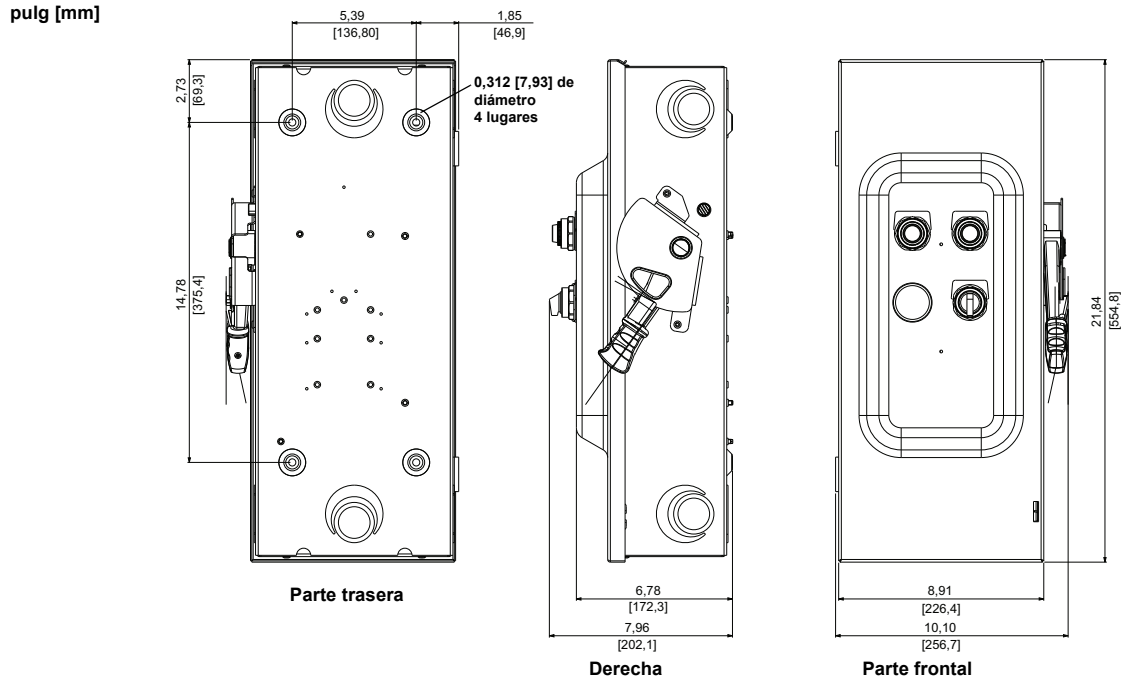
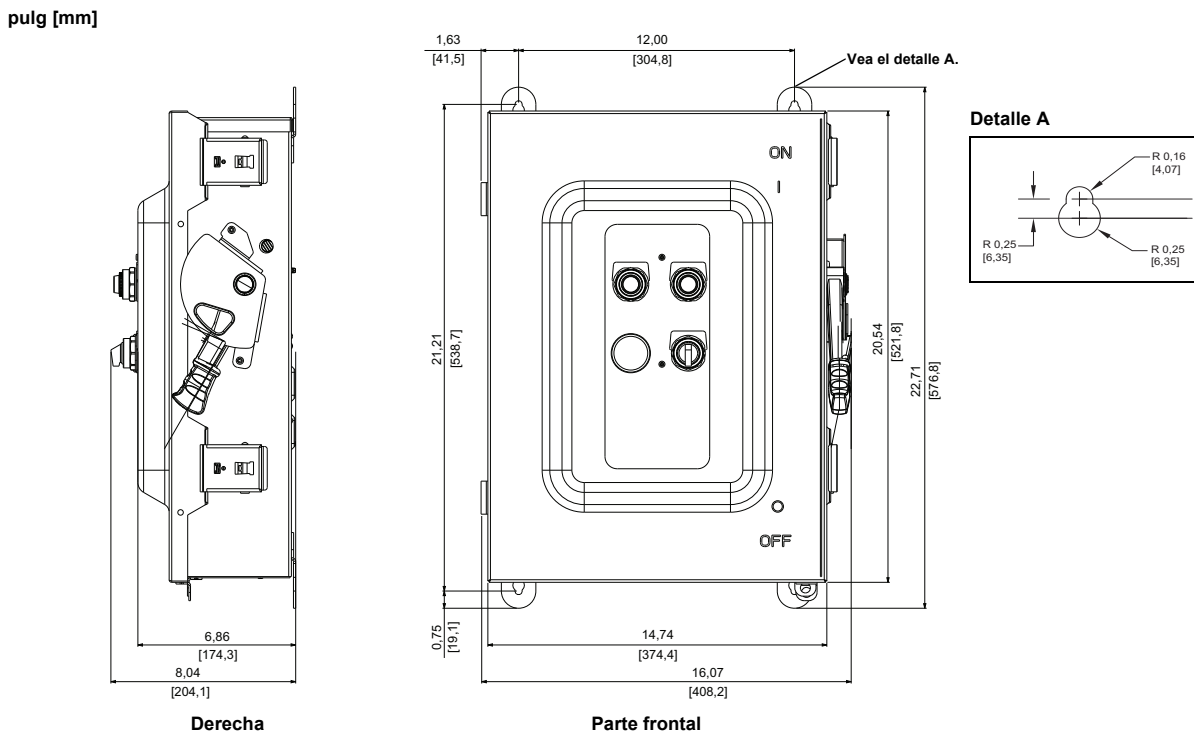


Figura 5: NEMA 1, extra grande



ESPAÑOL

Gabinetes NEMA 12/3R

Figura 6: NEMA 12/3R, estándar

pulg [mm]

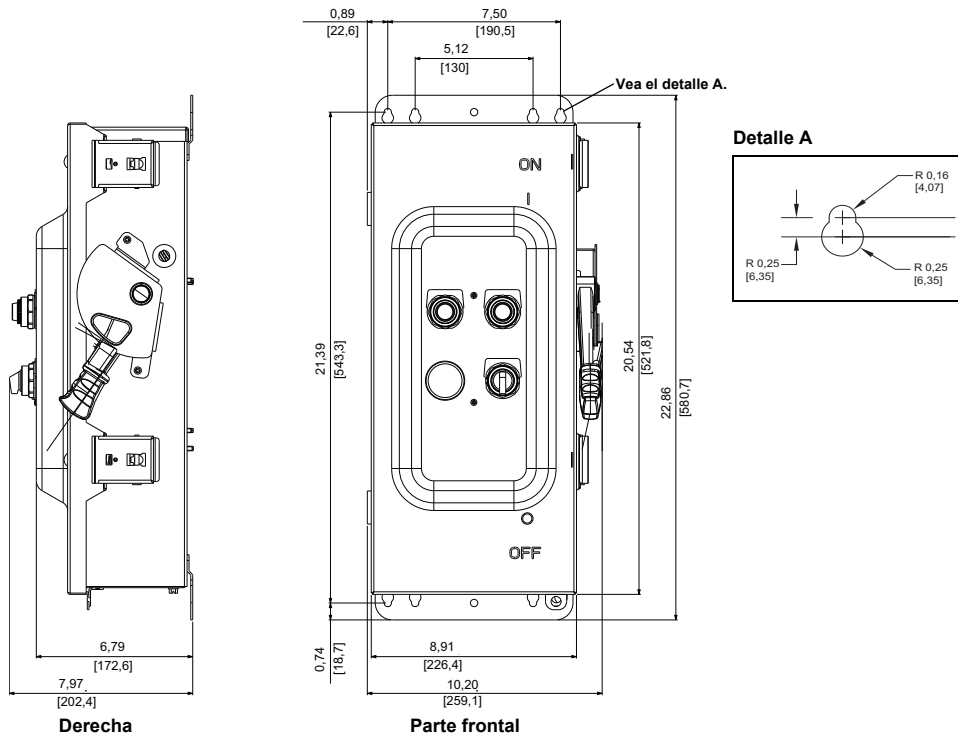
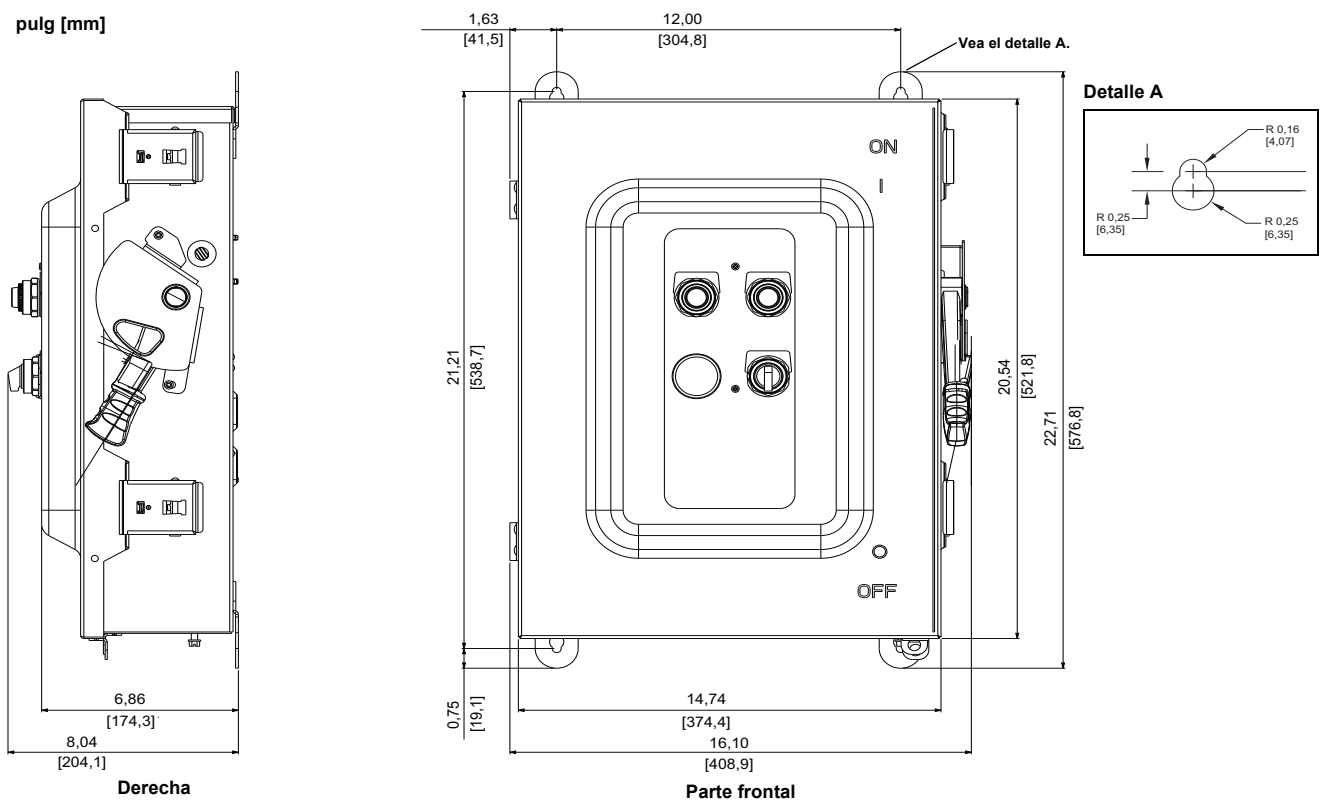


Figura 7: NEMA 12/3R, extra grande

pulg [mm]



Gabinetes NEMA 4/4X

Figura 8: NEMA 4/4X, estándar

pulg [mm]

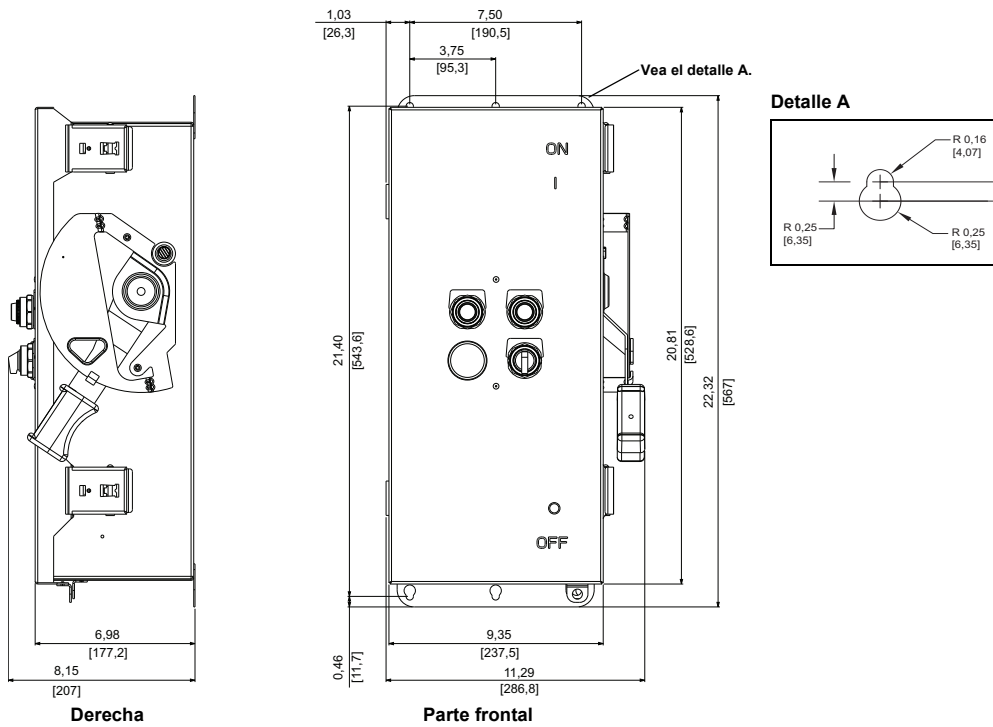
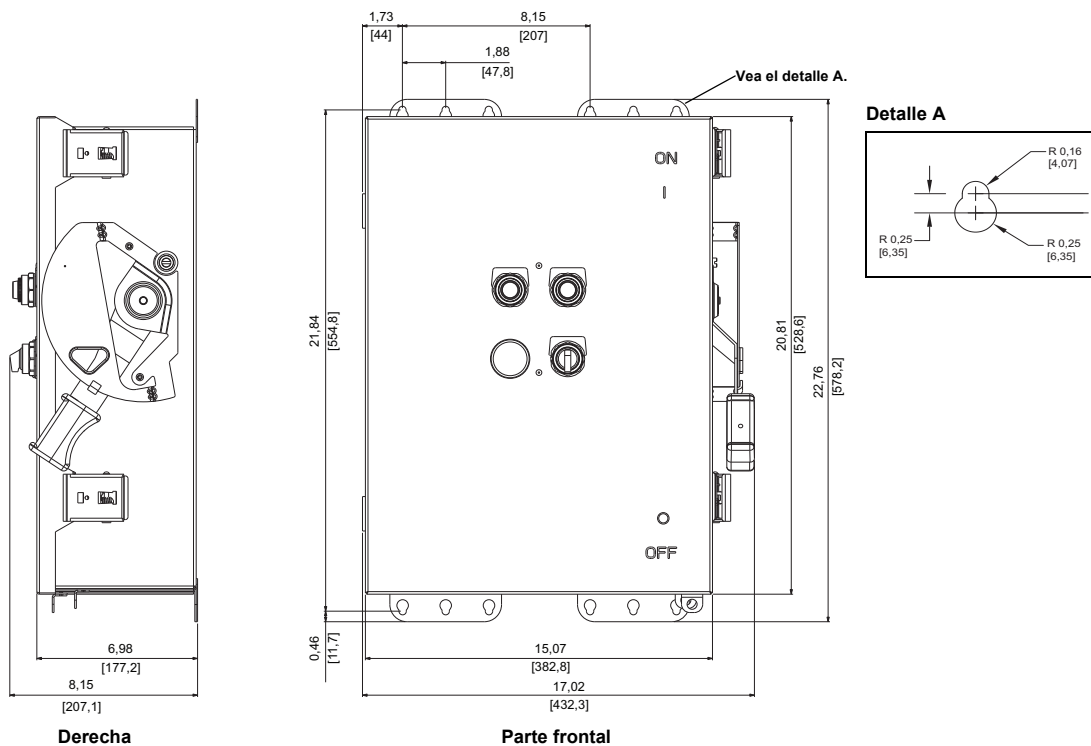


Figura 9: NEMA 4/4X, extra grande

pulg [mm]



Instalación

⚠ PELIGRO

PELIGRO DE DESCARGA ELÉCTRICA, EXPLOSIÓN O DESTELLO POR ARQUEO

- Utilice equipo de protección personal (EPP) apropiado y siga las prácticas de seguridad en trabajos eléctricos establecidas por su Compañía, consulte la norma NFPA 70E® Standard for Electrical Safety in the Workplace® (Norma para la seguridad eléctrica en el sitio de trabajo) o la CSA Z462.
- Solamente el personal eléctrico calificado deberá instalar y prestar servicio de mantenimiento a este equipo.
- Desenergice el equipo antes de realizar cualquier trabajo en él.
- Siempre utilice un dispositivo detector de tensión nominal adecuado para confirmar la desenergización del equipo.
- Vuelva a colocar todos los dispositivos, las puertas y las cubiertas antes de energizar este equipo.

El incumplimiento de estas instrucciones podrá causar la muerte o lesiones serias.

Montaje del controlador

⚠ ADVERTENCIA

PELIGRO AL LEVANTAR O MANEJAR EL EQUIPO

El levantamiento de las unidades extra grandes requiere de dos personas y una mesa de elevación.

El incumplimiento de estas instrucciones puede causar la muerte, lesiones serias o daño al equipo.

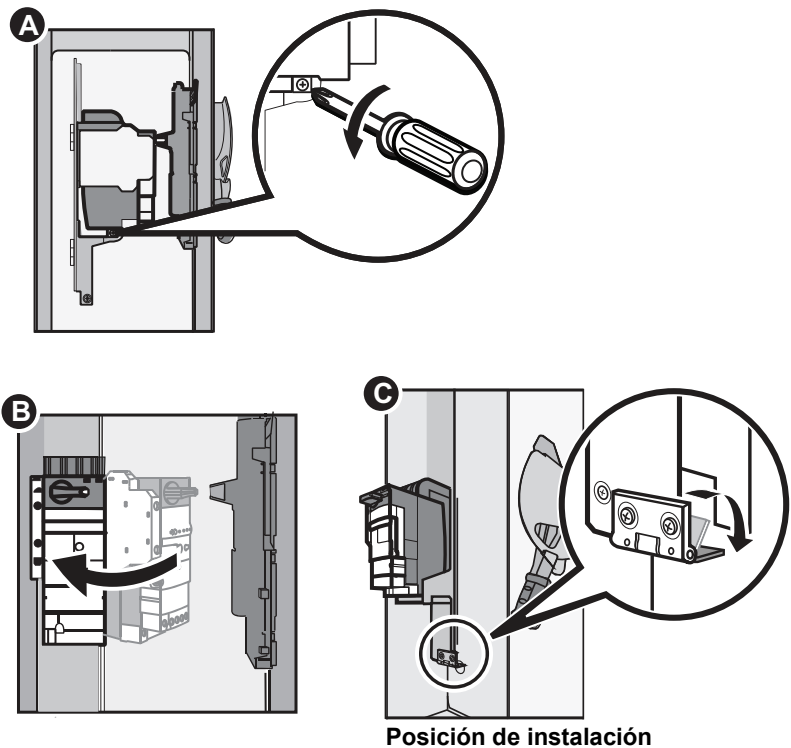
1. **Desconecte toda la alimentación.**
2. Gire la palanca de desconexión a la posición de OFF/O y abra la puerta del gabinete.
3. Prepare el gabinete para la entrada de tubo conduit de línea y carga.
 - Para los gabinetes NEMA 1, retire los discos desprendibles proporcionados, según sea necesario.
 - Para los gabinetes NEMA 4/4X y 12/3R, perforo las entradas de tubo conduit e instale receptáculos para la clasificación ambiental necesaria. Consulte la tabla 3 en la página 30 para obtener información sobre los receptáculos disponibles.
4. Seleccione una superficie de montaje vertical:
 - Seleccione una superficie de montaje plana y sólida, no combustible capaz de soportar el peso del controlador.
 - Deje espacio suficiente alrededor del controlador para operar la palanca de desconexión.

5. Monte el gabinete en los cuatro puntos de montaje. Consulte las figuras 4 a 9 (páginas 11 a 13) para conocer la ubicación de los agujeros de montaje.
 - Utilice herrajes adecuados para el peso del controlador, sacudidas y vibraciones esperadas de la instalación y el medio ambiente.
 - Para mantener la calificación sísmica, utilice herrajes de montaje SAE Grado 5 y roldanas Belleville apropiados.
 - Apriete los herrajes en los valores especificados por el fabricante para adquirir la fuerza total de los herrajes de sujeción.

Apertura del ensamblaje abisagrado en la posición de instalación

El controlador se envía de fábrica con el arrancador TeSys U bien sujeto al panel posterior del gabinete. Para realizar las conexiones, configurar o solucionar problemas del controlador y para instalar las unidades de control o módulos opcionales, gire el ensamblaje hacia afuera a la posición de instalación de la siguiente manera.

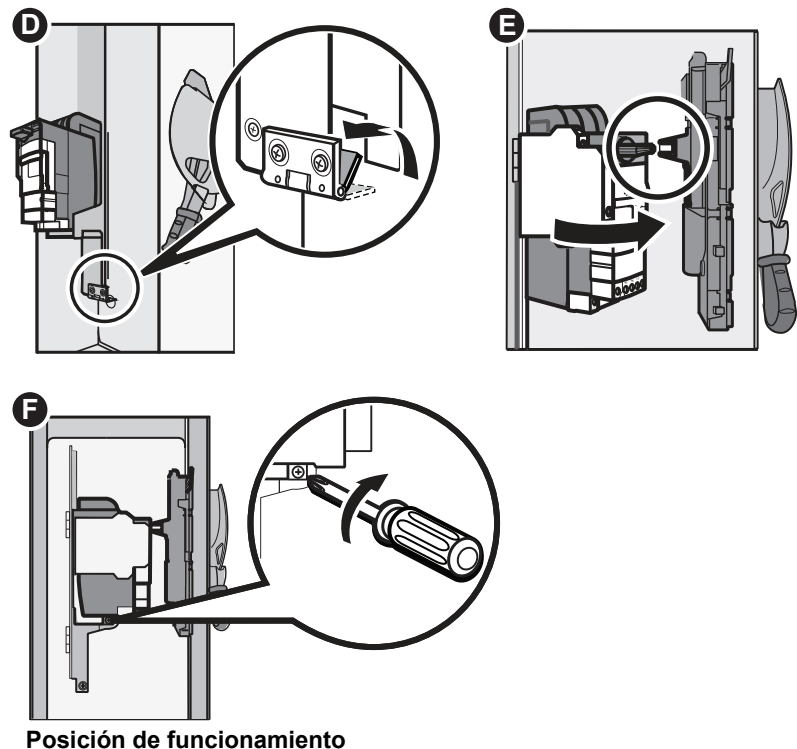
1. Afloje el tornillo que sujeta el ensamblaje al panel posterior un cuarto de vuelta (A) y gire el arrancador TeSys U hacia fuera de modo que la parte frontal quede hacia usted (B).
2. El gancho del soporte debe abrirse en la parte inferior del ensamblaje abisagrado para fijarlo en su posición de instalación (C). Verifique que el gancho esté hacia abajo y que el ensamblaje esté seguro antes de trabajar en el arrancador TeSys U.



Cierre del ensamblaje abisagrado en la posición de funcionamiento

Al finalizar la instalación, el alambrado y la configuración, regrese el ensamblaje abisagrado a la posición de funcionamiento de la siguiente manera.

1. Asegúrese de que la perilla de funcionamiento en el arrancador TeSys U esté en la posición OFF/O (E). Si la perilla no está en la posición OFF/O, el ensamblaje abisagrado no girará de regreso hacia su lugar.
2. Levante el gancho en la parte inferior del ensamblaje abisagrado (D) y gírelo a la posición de funcionamiento (E).
3. Sujete el ensamblaje al panel posterior girando el tornillo de sujeción cautivo (F) un cuarto de vuelta.



Alambrado

⚠ PELIGRO

PELIGRO DE DESCARGA ELÉCTRICA, EXPLOSIÓN O DESTELLO POR ARQUEO

- Asegúrese de leer las precauciones delineadas en la página 14.
- Desenergice el equipo antes de realizar cualquier trabajo en él.
- Siga las prácticas de alambrado descritas en este documento, además de aquellas exigidas por el código eléctrico nacional (NEC® de EUA), NOM-001-SEDE y demás códigos locales.

El incumplimiento de estas instrucciones podrá causar la muerte o lesiones serias.

Alambrado de alimentación

Las terminales de alimentación aceptan hasta dos conductores. Consulte la tabla 4 en la página 30 para conocer los requisitos de calibre de los cables y valores de par de apriete de las terminales.

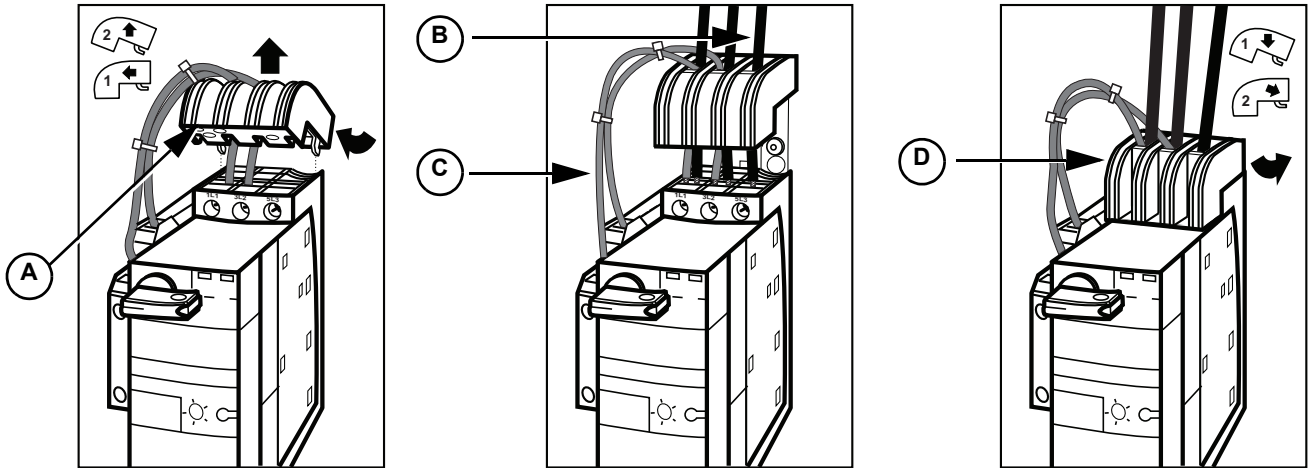
Durante la etapa de planificación asegúrese de que la longitud de los cables de línea y carga tengan suficiente holgura en la parte superior e inferior del arrancador TeSys U para girar el ensamble abisagrado de regreso a la posición de funcionamiento una vez que el alambrado se haya completado.

Confirme que el motor que se está conectando al controlador tenga la misma o menor potencia nominal que el controlador.

Alambrado del lado de línea

1. Coloque el ensamble abisagrado en la posición de instalación. Consulte la página 16.
2. Retire la barrera de fase (**A**) para exponer las terminales de línea. Vea la figura 10. Jale la barrera de fase (**A**) hacia usted para soltar los ganchos en la parte posterior de las ranuras de las terminales de alimentación, luego, deslice la barrera de fase hacia arriba del alambrado y hacerla a un lado.
3. Dirija el alambrado de línea por la barrera de fase y conéctelo a las terminales 1L1, 3L2 y 5L3 (**B**). Asegúrese de que los conductores de derivación (**C**) al circuito de control permanecen en su lugar en las terminales:
 - 1L1 y 3L2 para los dispositivos trifásicos y
 - 1L1 y 5L3 para los dispositivos monofásicos
4. Apriete las terminales en 1,9–2,5 N•m (17–22 lbs-pulg).
5. Deslice la barrera de fase hacia abajo y por las terminales de línea (**D**), asegurándose de que los ganchos de la barrera de fase se enganchen en las ranuras de las terminales de línea.

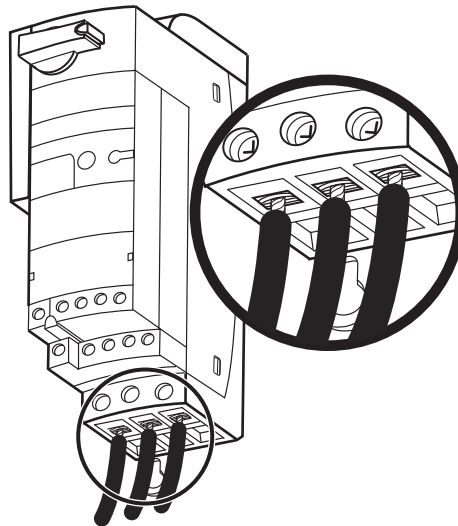
Figura 10: Alambrado del lado de línea



Alambrado del lado de carga

1. Instale el alambrado de carga en las terminales 2T1, 4T2 y 6T3. Vea la figura 11.
2. Apriete las terminales en 1,9–2,5 N•m (17–22 lbs-pulg).

Figura 11: Alambrado del lado de carga



Alambrado de puesta a tierra

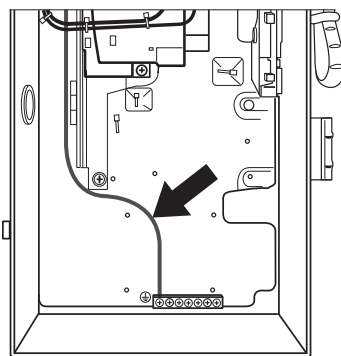
Instale los conductores de tierra en la barra de puesta a tierra en la parte inferior del gabinete. Vea la figura 12. Generalmente, existen tres conductores de tierra:

- Tubo conduit de la alimentación
- Tubo conduit de la carga
- Tubo conduit del circuito de control

Apriete las terminales de la siguiente manera:

- 14 a 10 AWG (2,5 a 6 mm²): 4 N•m (35 lbs-pulg)
- 8 a 6 AWG (10 a 16 mm²): 4,5 N•m (40 lbs-pulg)

Figura 12: Conductor de tierra



Alambrado de control

⚠ ADVERTENCIA

FUNCIONAMIENTO ACCIDENTAL DEL EQUIPO

- Cuando se suministra un control separado de 24 Vcd, el circuito de control debe tener una conexión de puesta a tierra.
- Para los dispositivos equipados con un módulo de comunicación, mantenga los cables de comunicación separados del resto del alambrado.

El incumplimiento de estas instrucciones puede causar la muerte, lesiones serias o daño al equipo.

Siga estas recomendaciones al instalar los cables de control:

- El circuito de control viene alambrado de fábrica con un cable de 16 AWG (1,5 mm²). Consulte la placa de datos del controlador y la tabla 4 en la página 30 para conocer los requisitos de calibre de los cables y valores de par de apriete de las terminales.
- Conecte las entradas de comando de control y contactos auxiliares necesarios como se indica en el diagrama de circuitos de la unidad.
- Se recomiendan fusibles clase CC, de 5 A para la protección contra sobrecorriente del circuito de control.
- Al colocar los cables de control en el lado abisagrado de la puerta en el gabinete, pase los cables por el casquillo protector proporcionado.

- Para los dispositivos de control separado, asegúrese de que el circuito de control esté correctamente conectado a tierra.
- Para los dispositivos equipados con un módulo de comunicación, mantenga el alambrado de comunicación separado de los cables de línea y carga y de los demás conductores de control.

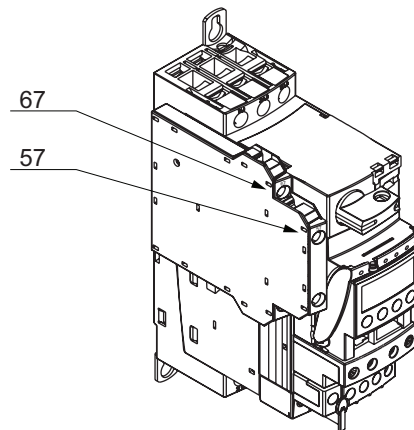
Control común y control del transformador

Para el control común y control del transformador, el controlador viene con el circuito de control prealambrado. No se requiere alambrado adicional, excepto para las configuraciones con un interruptor selector Manual-Desconectado-Automático.

Control separado

Para el control separado, conecte dos conductores de control a los contactos 57 y 67 del bloque de contactos del circuito de control.

Figura 13: Terminales 57 y 67



Control a distancia

Dependiendo de la tensión, del tamaño del conductor y de la cantidad de conductores de control que se usan, la impedancia en serie o la capacitancia en derivación puede limitar la distancia máxima del tendido de cables para los arrancadores y contactores que se hacen funcionar a distancia.

Este contactor cumple con la norma IEC60947-4-1 y las bobinas han demostrado la capacidad de desactivarse cuando se conectan a una capacitancia equivalente a 100 m (328 pies) del cable de control de 1,5 mm² (16 AWG). Para los tendidos de cable de control de una longitud considerable, tenga en cuenta los efectos de la impedancia en serie y capacitancia en derivación.

Para obtener más información, obtenga el boletín de datos 24572-EN del sitio web www.schneider-electric.com, o bien, pónganse en contacto con la oficina local de Schneider Electric.

Etiquetas

El controlador se envía de fábrica con las etiquetas en el idioma inglés adheridas al gabinete. Las etiquetas en los idiomas en francés y español vienen incluidas en la bolsa de la documentación. Coloque la versión de idioma adecuada sobre las etiquetas en inglés, según sea necesario.

Configuración

Ajuste de la corriente a plena carga (CPC) con un módulo de control avanzado

Para los controladores con un módulo de control avanzado (tipos LUCB, LUCC, LUCD), la corriente a plena carga del motor se ajusta mediante un selector situado en la parte frontal de la unidad de la siguiente manera. Vea la figura 15.

1. Coloque el ensamble abisagrado en la posición de instalación. Consulte la página 16.
2. Jale la palanca de bloqueo del módulo de control avanzado hacia abajo (**A**).
3. Con un destornillador de punta plana o Phillips, ajuste el selector en la corriente a plena carga requerida (**B**).
 - Si el motor tiene un factor de servicio de 1,0, multiplique la corriente a plena carga del motor por 0,9 y ajuste el selector en ese número.
 - Si el motor tiene un factor de servicio de 1,15 a 1,25, ajuste el selector en la corriente a plena carga del motor.
4. Jale la palanca de bloqueo del módulo de control avanzado hacia arriba (**C**). Asegúrese de que la palanca esté bloqueada en su posición.

Figura 14: Módulo de control avanzado

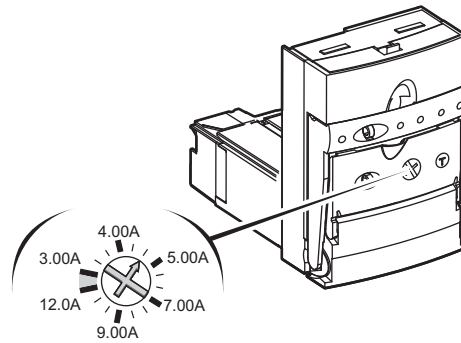
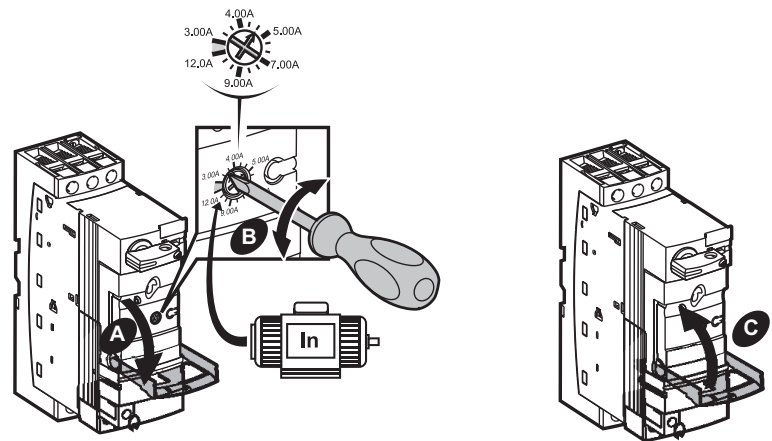


Figura 15: Ajuste de la corriente a plena carga



Configuración de la dirección de un módulo de comunicación

Si el controlador TeSys N se solicita con un módulo de comunicación, el módulo de comunicación es pre-instalado y pre-alambrado. Si el módulo de comunicación se solicita por separado del controlador, consulte "Instalación de un módulo de comunicación" en la página 29 antes de realizar los pasos de esta sección.

Debe configurar la dirección del módulo de comunicación antes de que funcione.

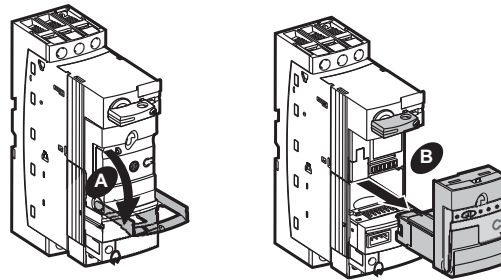
Si el módulo de comunicación es para uno de los siguientes protocolos, debe configurar la dirección en la red con el software del PLC. Consulte la documentación de su módulo de comunicación para obtener más información. Consulte la página 5.

- Beckoff (LULC14)
- AS-Interface (ASILUFC5)
- AS-Interface V2 (ASILUFC51)

Para cualquier otro módulo de comunicación, configure la dirección de la siguiente manera.

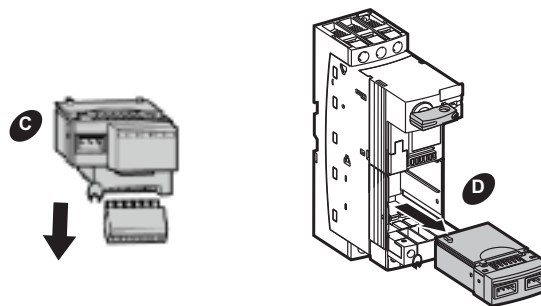
1. Si la configuración no incluye una unidad de control, vaya al paso 2. De lo contrario, jale la palanca de bloqueo de la unidad de control hacia abajo (A) y luego, desmonte la unidad de control del arrancador Tesys U (B). Vea la figura 16.

Figure 16: Desmontaje de la unidad de control



2. Retire el bloque de terminales enchufable del módulo de comunicación para evitar dañar el alambrado (C) y retire el módulo de comunicación del arrancador Tesys U (D). Vea la figura 17.

Figure 17: Extracción del bloque de terminales y módulo de comunicación



3. La dirección del módulo de comunicación se configura por medio de los selectores en la parte inferior del módulo. Vea la figura 18.

El módulo de comunicación se envía con la dirección configurada de fábrica en "1". La gama de valores de dirección aceptados varía de acuerdo con el protocolo de comunicación. La codificación de direcciones es en formato binario con el bit menos significativo a la derecha, indicado por la flecha hacia arriba en la figura 19. La dirección "0" no es válida.

La figura 19 muestra el módulo de comunicación Modbus LULC033 como ejemplo. El número de conmutadores DIP varía según el módulo de comunicación.

Figure 18: Ubicación de los conmutadores de direcciones

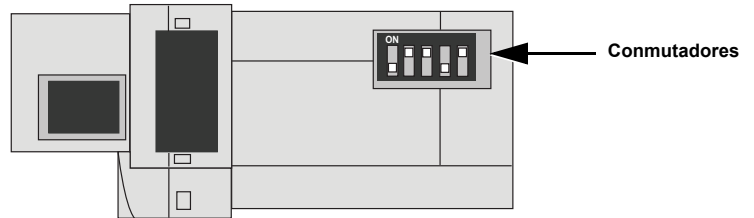
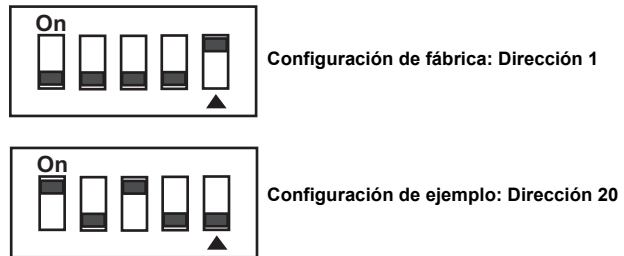
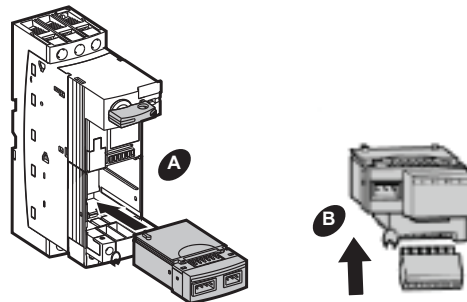


Figure 19: Ejemplos de direcciones



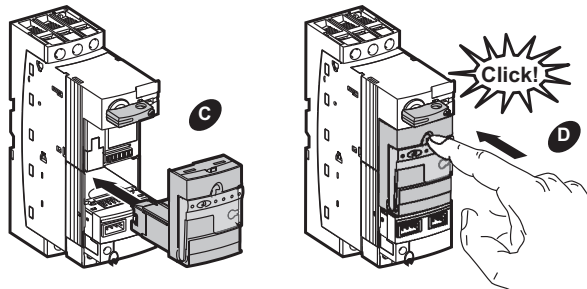
4. Después de que la dirección ha sido configurada, vuelva a instalar el módulo de comunicación (A) y vuelva a instalar el bloque de terminales enchufable en el módulo de comunicación (B). Vea la figura 20.

Figure 20: Reinstalación del módulo de comunicación y bloque de terminales



5. Regrese la palanca de bloqueo a la posición original. Luego, conecte la unidad de control nuevamente en el arrancador Tesys U (C) hasta que encaje en su lugar (D). Vea la figura 21.

Figure 21: Reinstalación del módulo de control



6. Algunos módulos de comunicación requieren puesta en servicio adicional en la red con el software PLC para que funcionen. Consulte la documentación de su módulo de comunicación para obtener más información. Consulte la página 5.

Configuración de los parámetros básicos con un módulo de control multifunción

⚠ PELIGRO

FUNCIONAMIENTO ACCIDENTAL DEL EQUIPO

Antes de hacer funcionar el controlador TeSys N:

- Desenergice el equipo antes de realizar cualquier trabajo en él.
- Asegúrese de leer y comprender la *Manual del usuario de la unidad de control multifunción del arrancador LUCM/LUCMT TeSys U* (documento número 1743237) antes de cambiar los valores de fábrica de cualquier parámetro.
- Si el controlador o el módulo de control multifunción es sustituido, el controlador debe ser reprogramado según las instrucciones de programación incluidas en el documento número 1743237.
- Las unidades de control multifunción deben usarse con tensión de alimentación de control de 24 Vcd. Si se usa la unidad de control multifunción con cualquier otra tensión de alimentación de control el equipo se dañará y no funcionará.

El incumplimiento de estas instrucciones podrá causar la muerte, lesiones serias o daño al equipo.

Con el fin de configurar y establecer los parámetros básicos de la unidad de control multifunción, deberá suministrarse alimentación de 24 Vcd a la entrada de alimentación auxiliar del dispositivo. Vea el artículo 4 en la figura 22 (página 26). No es necesario instalar la unidad de control multifunción en el arrancador TeSys U para energizarla y programarla.

La interfaz de la unidad de control multifunción se compone de dos programas: el menú principal y el menú de configuración.

La primera vez que la unidad de control multifunción es energizada, se mostrará el modo de configuración. La interfaz mostrará automáticamente el menú de configuración. El menú de configuración se puede acceder desde el menú principal realizando un restablecimiento con la función **84_Reset**.

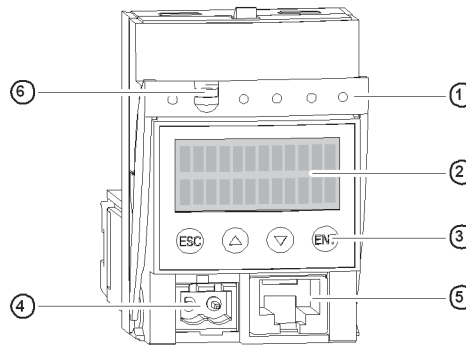
Esta sección trata sobre la configuración de los siguientes parámetros básicos:

- Idioma
- Tipo de carga
- Intensidad de la corriente a plena carga
- Clase de disparo

Para obtener más información sobre la configuración de otros parámetros, consulte el *Manual del usuario de la unidad de control multifunción LUCM/LUCMT TeSys U*, documento no. 1743237. El manual está disponible del sitio web www.schneider-electric.com.

Funcionamiento y características de la terminal de programación y ajustes

Figura 22: Descripción de la terminal de programación y ajustes



1	Palanca de extracción y bloqueo
2	Pantalla de cristal líquido
3	Terminal de programación y ajustes
4	Fuente de alimentación auxiliar de 24 Vcd ¹
5	Puerto de comunicación RJ-45, Modbus RS-485
6	Opción para sellar la palanca de bloqueo

¹ Conector sellado en la unidad LUCMT

Tabla 2: Funcionamiento de la terminal de programación y ajustes

	Desplácese un nivel hacia arriba en el menú. La tecla ESC no guarda ninguna configuración.	Debe oprimir la tecla varias veces para volver al programa.
	Buscar en: • un programa => sub-programas • un sub-programa => funciones • una función => configuraciones	Algunos sub-programas incluyen sólo las funciones y sus configuraciones. Otros incluyen funciones con varios parámetros y sus configuraciones.
	Busque las configuraciones disponibles.	El signo "=" precede una configuración de fábrica o una configuración definida por el usuario. El signo "?" precede las configuraciones disponibles.
	Aumente o disminuya el valor de la configuración que aparece en la pantalla.	Para aumentar o disminuir rápidamente el valor de una configuración, oprima y mantenga oprimida la tecla.
	1. Desplácese un nivel hacia abajo en el programa. 2. Confirme y guarde la configuración que aparece en la pantalla.	Una vez que haya guardado la configuración: • El signo "?" se sustituirá por "=". • La configuración se muestra durante 2 segundos, luego, la pantalla vuelve automáticamente al siguiente nivel más alto.

Con el fin de configurar y establecer los parámetros básicos de la unidad de control multifunción, deberá suministrarse alimentación de 24 Vcd a la entrada de alimentación auxiliar del dispositivo. Vea el artículo 4 en la figura 22 (página 26).

Selección del idioma

Los idiomas disponibles son inglés, francés, español, alemán e italiano. El ajuste de fábrica es "English". Si el inglés es su idioma preferido, vaya a "Selección del tipo de carga" a continuación. Si el inglés no es su idioma preferido, cambie el ajuste de la siguiente manera:

1. Oprima ENT para iniciar la configuración. La primera función del menú de configuración, Idioma, se mostrará. Oprima ENT para seleccionar el idioma.
2. Oprima la flecha abajo para ver su idioma preferido. El idioma será precedido por el símbolo "?".
3. Oprima ENT para guardar su idioma preferido. El símbolo "?" cambiará a "=".
4. La pantalla regresará automáticamente al menú de configuración después de guardar la configuración del idioma.

Selección del tipo de carga

El tipo de carga se ajusta en la fábrica en tres fases. Si tres fases es su tipo de carga preferida, vaya a "Ajuste de la intensidad de corriente a plena carga (CPC)" a continuación. Si el tipo de carga es de una sola fase, siga estos pasos:

1. Oprima la tecla flecha abajo para mostrar la **Carga** y, luego, oprima ENT para seleccionarla.
2. Oprima la tecla flecha abajo para mostrar **? Motor 1F**.
3. Oprima el botón ENT para guardar la configuración. El símbolo "?" cambiará a "=".
4. La pantalla regresará automáticamente al menú de configuración después de guardar el tipo de carga.

Ajuste de la intensidad de corriente a plena carga (CPC)

1. Oprima la tecla flecha abajo para mostrar **Fin**
2. Oprima ENT para mostrar **=No** .
3. Oprima la tecla flecha abajo para mostrar **=Sí**
4. Oprima la tecla ENT para guardar el ajuste, y oprima la tecla ENT nuevamente para regresar al menú principal.
NOTA: El tiempo del dispositivo se agotará si espera demasiado tiempo antes de oprimir ENT. Si es así, oprima ENT para volver al menú principal.
5. Oprima la tecla flecha abajo para mostrar **3 Configurar** y, luego, oprima ENT para seleccionarla.
6. **31_Ir motor** se mostrará. Oprima ENT para seleccionarla.
7. Oprima la tecla flecha arriba para mostrar el valor de la intensidad de corriente a plena carga en la placa de datos del motor. El valor será precedido por el símbolo "?".
8. Oprima el botón ENT para guardar la configuración. El símbolo "?" cambiará a "=".
9. La pantalla regresará automáticamente al menú 3 Configurar después de guardar la configuración. Oprima ESC para volver al menú principal.

Configuración de la clase de disparo

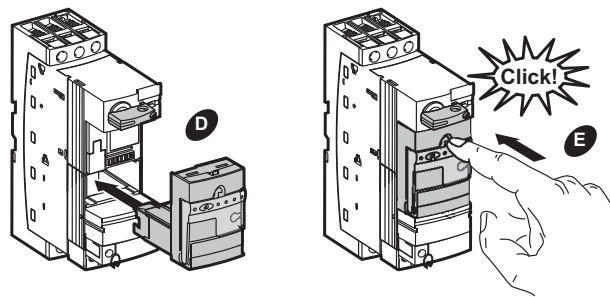
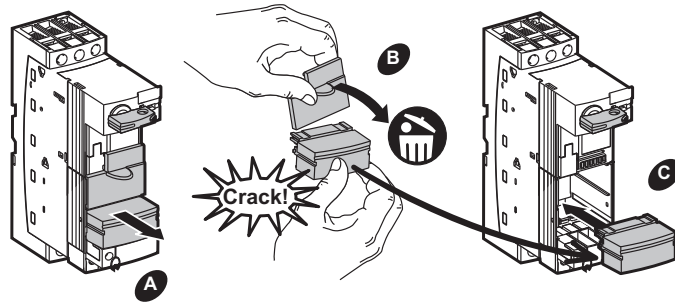
El ajuste de fábrica de la clase de disparo es la clase 5. Para cambiar la configuración, siga estos pasos.

1. Oprima la flecha abajo para mostrar **4 Ajustar** y oprima ENT.
2. **41_Clase** se mostrará en la pantalla. Oprima ENT para seleccionarla.
3. **=5** se mostrará en la pantalla. Oprima la tecla flecha arriba para mostrar la clase de disparo preferida. El valor será precedido por el símbolo "?".
4. Oprima el botón ENT para guardar la configuración. El símbolo "?" cambiará a "=".
5. La pantalla regresará automáticamente al menú 4 Ajustar después de guardar la configuración. Oprima ESC para volver al menú principal.

Instalación de una unidad de control

Si el arrancador TeSys U no tiene una unidad de control, debe instalar una.

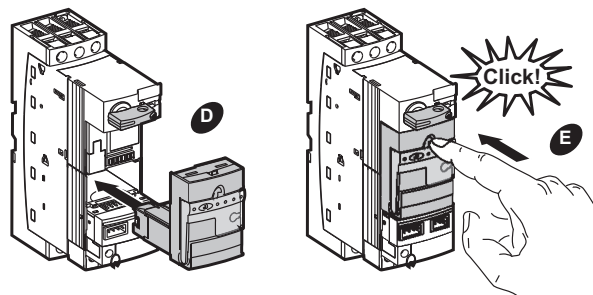
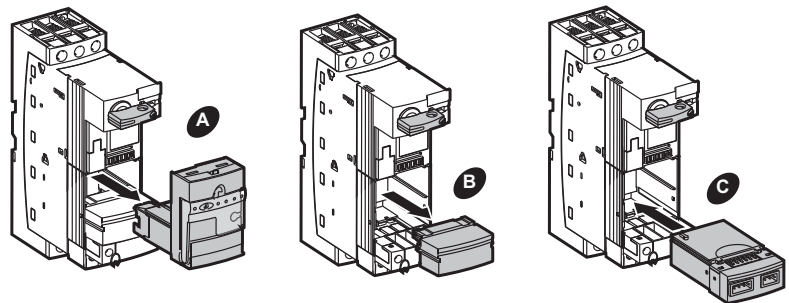
1. Los arrancadores TeSys U enviados sin una unidad de control tienen una cubierta de plástico en la ranura de instalación de la unidad de control. Quite la cubierta de plástico (A).
2. Desprenda la parte superior de la cubierta de plástico y deséchela (B).
3. Vuelva a instalar la parte inferior de la cubierta en el arrancador TeSys U (C).
4. Conecte la unidad de control en el arrancador TeSys U por encima de la cubierta de plástico (D).
5. Empuje la unidad de control hasta que encaje en su lugar (E).
6. Si necesita retirar la unidad de control, jale la palanca de bloqueo hacia abajo y utilícela para extraer la unidad de control del arrancador.



Instalación de un módulo de comunicación

Se encuentran disponibles módulos de comunicación opcionales para el controlador. Los módulos de comunicación sólo se pueden utilizar con las unidades de control de 24 Vcd.

1. Jale la palanca de bloqueo de la unidad de control, retire la unidad de control del arrancador TeSys U (A), y retire la cubierta de plástico debajo de la unidad de control (B).
2. Instale el módulo de comunicación en el arrancador TeSys U en lugar de la cubierta de plástico (C).
3. Regrese la palanca de bloqueo a la posición original, luego, conecte la unidad de control en el arrancador TeSys U por encima del módulo de comunicación (D).
4. Empuje la unidad de control hasta que encaje en su lugar (E).
5. Para obtener instrucciones sobre el alambrado, consulte la documentación del protocolo de comunicación que está utilizando. Consulte la sección "Documentación relacionada" en la página 5.



Tablas de referencia y servicio

Tabla 3: Receptáculos para las aplicaciones NEMA 12, 4/4X y 3R

	Tamaño de tubo conduit									
	0,5 pulg	0,75 pulg	1 pulg	1,25 pulg	1,5 pulg	2 pulg	2,5 pulg	3 pulg	3,5 pulg	4 pulg
Receptáculo de zinc hermético al agua	H050	H075	H100	H125	H150	H200	H250	H300	H350	H400
Receptáculo cromado hermético al agua	H050CP	H075CP	H100CP	H125CP	H150CP	H200CP	—	—	—	—
Receptáculo a prueba de lluvia	—	—	—	—	—	—	—	B300	B350	B400

Tabla 4: Calibre de conductores recomendado

Características de conexión del circuito de alimentación		
Cable trenzado sin terminación	1 conductor	14-8 AWG (2,5-10 mm ²)
	2 conductores	16-10 AWG (1,5-6 mm ²)
Cable trenzado con terminación	1 conductor	16-10 AWG (1-6 mm ²)
	2 conductores	16-10 AWG (1-6 mm ²)
Cable sólido	1 conductor	16-8 AWG (1-10 mm ²)
	2 conductores	16-10 AWG (1-6 mm ²)
Desatornillador	Phillips no. 2 o desatornillador de punta plana de 1/4 pulg	
Par de apriete	1,9-2,5 N•m (16-22 lbs-pulg)	
Características de conexión del circuito de control		
Cable trenzado sin terminación	1 conductor	18-14 AWG (0,75-1,5 mm ²)
	2 conductores	18-14 AWG (0,75-1,5 mm ²)
Cable trenzado con terminación	1 conductor	22-14 AWG (0,34-1,5 mm ²)
	2 conductores	22-14 AWG (0,34-1,5 mm ²)
Cable sólido	1 conductor	18-14 AWG (0,75-1,5 mm ²)
	2 conductores	18-14 AWG (0,75-1,5 mm ²)
Desatornillador	Phillips no. 1 o desatornillador de punta plana de 3/16 pulg	
Par de apriete	0,8-1,2 N•m (7-10,5 lbs-pulg)	

Tabla 5: Transformadores de alimentación de control de capacidad estándar¹, unidades sin módulo de comunicación únicamente

Código de tensión	Tensión primaria / secundaria (V~)	Transformador de alimentación de control	Fusible primario (se requieren 2)	Fusible secundario (se requiere 1)
V89	120 / 24	9070TF100D7	25430-20200	25419-21000
V90	208 / 24	9070TF100D14	25430-20113	
V82	240 / 24	9070TF100D2	25430-20100	
V83	480 / 24	9070TF100D2	25430-20050	
V91	600 / 24	9070TF100D36	25430-20040	
V84	208 / 120	9070TF100D3	25430-20113	25419-20100
V80	240 / 120	9070TF100D1	25430-20100	
V81	480 / 120	9070TF100D1	25430-20050	
V86	600 / 120	9070TF100D5	25430-20040	

¹ Para obtener una mayor capacidad e información adicional, consulte el *Compendio* o comuníquese con su oficina de ventas de Schneider Electric más cercana.

Tabla 6: Números de catálogo de la unidad de control

Clase de disparo	Corriente a plena carga (CPC)					
	0,15–0,6 A	0,35–1,4 A	1,25–5 A	3–12 A	4,5–18 A	8–12 A
10, avanzada, trifásica	LUCBX6**	LUCB1X**	LUCB05**	LUCB12**	LUCB18**	LUCB32**
20, avanzada, trifásica	LUCDX6**	LUCD1X**	LUCD05**	LUCD12**	LUCD18**	LUCD32**
10, avanzada, monofásica	LUCCX6**	LUCC1X**	LUCC05**	LUCC12**	LUCC18**	LUCC32**
Seleccionable entre 5 y 30; monofásica y trifásica	LUCMX6BL	LUCM1XBL	LUCM05BL	LUCM12BL	LUCM18BL	LUCM32BL

"**" = Complete el número de catálogo agregando el código de tensión adecuado de la tabla 7.

Tabla 7: Código de tensión

Volts	24	110–240
cd	BL	—
~	B	FU

Lámpara piloto azul "Energizado"

⚠ PELIGRO

PELIGRO DE DESCARGA ELÉCTRICA, EXPLOSIÓN O DESTELLO POR ARQUEO

- Utilice equipo de protección personal (EPP) apropiado y siga las prácticas de seguridad en trabajos eléctricos establecidas por su Compañía, consulte la norma NFPA 70E® Standard for Electrical Safety in the Workplace® (Norma para la seguridad eléctrica en el sitio de trabajo) o la CSA Z462.
- Solamente el personal eléctrico calificado deberá instalar y prestar servicio de mantenimiento a este equipo.
- Desenergice el equipo antes de realizar cualquier trabajo en él.
- Siempre utilice un dispositivo detector de tensión nominal adecuado para confirmar la desenergización del equipo.
- Vuelva a colocar todos los dispositivos, las puertas y las cubiertas antes de energizar este equipo.

El incumplimiento de estas instrucciones podrá causar la muerte, lesiones serias o daño al equipo.

Si la palanca externa del controlador TeSys N está en la posición desconectado "Off" y la lámpara piloto azul "Energizado" está iluminada, deberá prestar servicio al arrancador TeSys U (vea el artículo A en la tabla 1 en la página 9 para obtener detalles sobre la pieza de repuesto).

Consulte la tabla 8 para obtener información sobre las indicaciones de estado de la lámpara piloto azul "Energizado". Consulte la tabla 9 para obtener información sobre las piezas de repuesto de la lámpara piloto azul "Energizado".

Tabla 8: Indicaciones de estado de la lámpara piloto azul "Energizado"

	Estado del arrancador TeSys U: Energizado		Estado del arrancador TeSys U: Desenergizado		Estado del arrancador TeSys U: Disparado	
	Funcionamiento normal	Necesita servicio	Funcionamiento normal	Necesita servicio	Funcionamiento normal	Necesita servicio
La palanca externa del controlador TeSys N está en la posición de desconectado "Off"	N/D	La lámpara "Energizado" está iluminada	La lámpara "Desenergizado" no está iluminada	La lámpara "Energizado" está iluminada	La lámpara "Desenergizado" no está iluminada	La lámpara "Energizado" está iluminada

Tabla 9: Piezas de repuesto de la lámpara piloto azul "Energizado"

	Tipos 1, 12, 3R				Tipo 4, 4X			
	24 V~/Vcd	120 V~	208 V~	240 V~	24 V~/Vcd	120 V~	208 V~	240 V~
Módulo de lámpara	9001KP35LLL31	9001KP1LLL31	9001KP3LLL31	9001KP7LLL31	9001SKP35LLL31	9001SKP1LLL31	9001SKP3LLL31	9001SKP7LLL31
Bombilla de LED azul								
Tapa de color azul								
Placa leyenda "Energizado"	9001KN238Y3				9001KN238BP			

Importado en México por:
Schneider Electric México, S.A. de C.V.
Calz. J. Rojo Gómez 1121-A
Col. Gpe. del Moral 09300 México, D.F.
Tel. 55-5804-5000
www.schneider-electric.com.mx

Solamente el personal especializado deberá instalar, hacer funcionar y prestar servicios de mantenimiento al equipo eléctrico. Schneider Electric no asume responsabilidad alguna por las consecuencias emergentes de la utilización de este material.

© 2013–2014 Schneider Electric Reservados todos los derechos
Modbus, Phaseo, Schneider Electric y TeSys son marcas comerciales de Schneider Electric Industries SAS o sus compañías afiliadas. Todas las otras marcas comerciales son propiedad de sus respectivos propietarios.

HRB85599 Rev. 02, 02/2014
Reemplaza HRB85599 Rev. 01, 11/2013

Commande de moteur combinée auto-protégée TeSys^{MC} N

Directives d'utilisation

HRB85599

Rév. 02, 02/2014

À conserver pour usage ultérieur.



FRANÇAIS

Table des matières

Catégories de dangers et symboles spéciaux	4
Introduction	5
Terminologie	5
Documentation complémentaire	5
Catalogue	5
Fiches d'instructions	5
Guides de démarrage rapide	5
Manuels	5
Assistance aux produits	5
Pièces de rechange	5
Assemblage	6
Démarreur TeSys U	8
Accessoires	8
Composants	9
Dimensions	10
Coffrets NEMA 1	10
Coffrets NEMA 12/3R	11
Coffrets NEMA 4/4X	12
Installation	13
Montage de la commande	13
Ouverture de l'assemblage à charnière à la position d'installation	14
Fermeture de l'assemblage à charnière à la position de fonctionnement	14
Câblage	15
Câblage d'alimentation	15
Câblage du côté ligne	15
Câblage du côté charge	16
Câblage de m.à.l.t.	17
Câblage de contrôle	17
Contrôle commun et contrôle du transformateur	18
Contrôle distinct	18
Contrôle à distance	18
Étiquettes	18
Configuration	19
Réglage du courant à pleine charge (CPC) avec un module de contrôle évolutif	19
Réglage de l'adresse d'un module de communication	20
Réglage des paramètres de base avec un module de contrôle multifonctions	23
Caractéristiques et fonctionnement du terminal d'exploitation	24
Sélection de la langue	25
Sélection du type de charge	25
Réglage du courant à pleine charge (CPC)	25
Réglage de la classe de déclenchement	26
Installation d'une unité de contrôle	27
Installation d'un module de communication	27
Tableaux de référence et d'entretien	28
Voyant lumineux bleu « Sous tension »	30

Catégories de dangers et symboles spéciaux

Lisez attentivement ces directives et examinez l'appareil pour vous familiariser avec son fonctionnement avant de faire son installation ou son entretien. Les messages spéciaux suivants peuvent apparaître dans les présentes directives ou sur l'appareil pour avertir l'utilisateur de dangers ou pour attirer l'attention sur des informations qui clarifient ou simplifient une procédure.



L'ajout d'un de ces deux symboles à une étiquette de sécurité de « Danger » ou d'« Avertissement » indique qu'un danger électrique existe et qu'il peut entraîner des blessures corporelles si les directives ne sont pas respectées.



Ceci est le symbole d'alerte de sécurité. Il est utilisé pour vous alerter de dangers de blessures corporelles. Veuillez vous conformer à tous les messages de sécurité qui suivent ce symbole pour éviter une blessure ou la mort.

⚠ DANGER

DANGER indique une situation de danger imminent qui, si elle n'est pas évitée, **entraînera** la mort ou des blessures graves.

⚠ AVERTISSEMENT

AVERTISSEMENT indique une situation de danger potentiel qui, si elle n'est pas évitée, **peut entraîner** la mort ou des blessures graves.

⚠ ATTENTION

ATTENTION indique une situation de danger potentiel qui, si elle n'est pas évitée, **peut entraîner** des blessures mineures ou modérées.

AVIS

AVIS est utilisé pour aborder des pratiques ne concernant pas les blessures. Le symbole d'alerte de sécurité n'est pas utilisé avec ce mot de signal.

REMARQUE : Fournit des renseignements complémentaires pour clarifier ou simplifier une procédure.

Seul un personnel qualifié doit effectuer l'installation, l'utilisation, l'entretien et la maintenance du matériel électrique. Schneider Electric n'assume aucune responsabilité des conséquences éventuelles découlant de l'utilisation de cette documentation.

Introduction

Ce bulletin contient les directives d'installation, de câblage et de configuration pour les commandes de moteurs combinées auto-protégées TeSys N. Pour identifier les pièces, voir les figures 1 et 2 aux pages 6 et 7.

Terminologie

La commande de moteur combinée auto-protégée TeSys N est également appelée « Commande combinée TeSys N » ou « Commande » dans ces directives d'utilisation.

Le démarreur TeSys U est un composant de la commande combinée TeSys N.

Documentation complémentaire

Ces directives d'utilisation renvoient aux documents suivants qui sont disponibles au site www.schneider-electric.com.

Catalogue

- *Catalogue TeSys U Démarreurs-contrôleurs*, DIA1ED2081003FR

Fiches d'instructions

- *Mode d'emploi des démarreurs TeSys U LU•B/LU•S•*, 1629984
- *Mode d'emploi des unités de contrôle LUCM/LUCMT/LUCBT/LUCDT, AAV40504*
- *Mode d'emploi des unités de contrôle LUCA/LUCB/LUCC/LUCD, AAV40503*

Guides de démarrage rapide

- *Guide de démarrage rapide TeSys U Modbus*, 1672605
- *Guide de démarrage rapide TeSys U Profibus DP*, 1672606
- *Guide de démarrage rapide TeSys U Advantys STB*, 1672608
- *Guide de démarrage rapide TeSys U AS-i*, 1672615
- *Guide de démarrage rapide TeSys U CANopen*, 1672604
- *Guide de démarrage rapide TeSys U DeviceNet avec un automate tiers*, 1672607

Manuels

- *Manuel d'utilisation des variables de communication TeSys U*, 1744082
- *Manuel d'utilisation du module Modbus LULC032-LULC033*, 1743234
- *Manuel d'utilisation du module Profibus DP LULC07*, 1672610
- *Manuel d'utilisation du module CANopen LULC08*, 1744084
- *Manuel d'utilisation du module DeviceNet LULC09*, 1744085
- *Manuel d'utilisation du module Advantys STB LULC15*, 1744083
- *Manuel d'utilisation des unités de contrôle multifonctions LUCM/LUCMT*, 1743237
- *Guide de l'utilisateur du TeSysPort TCSEQM113M13M*, 31007460
- *Manuel d'utilisation du module de communication TeSys U ASILUFC5-ASILUFC51 AS-i*, 1639093
- *Compatibilité électromagnétique—Manuel didactique*, DEG999

Assistance aux produits

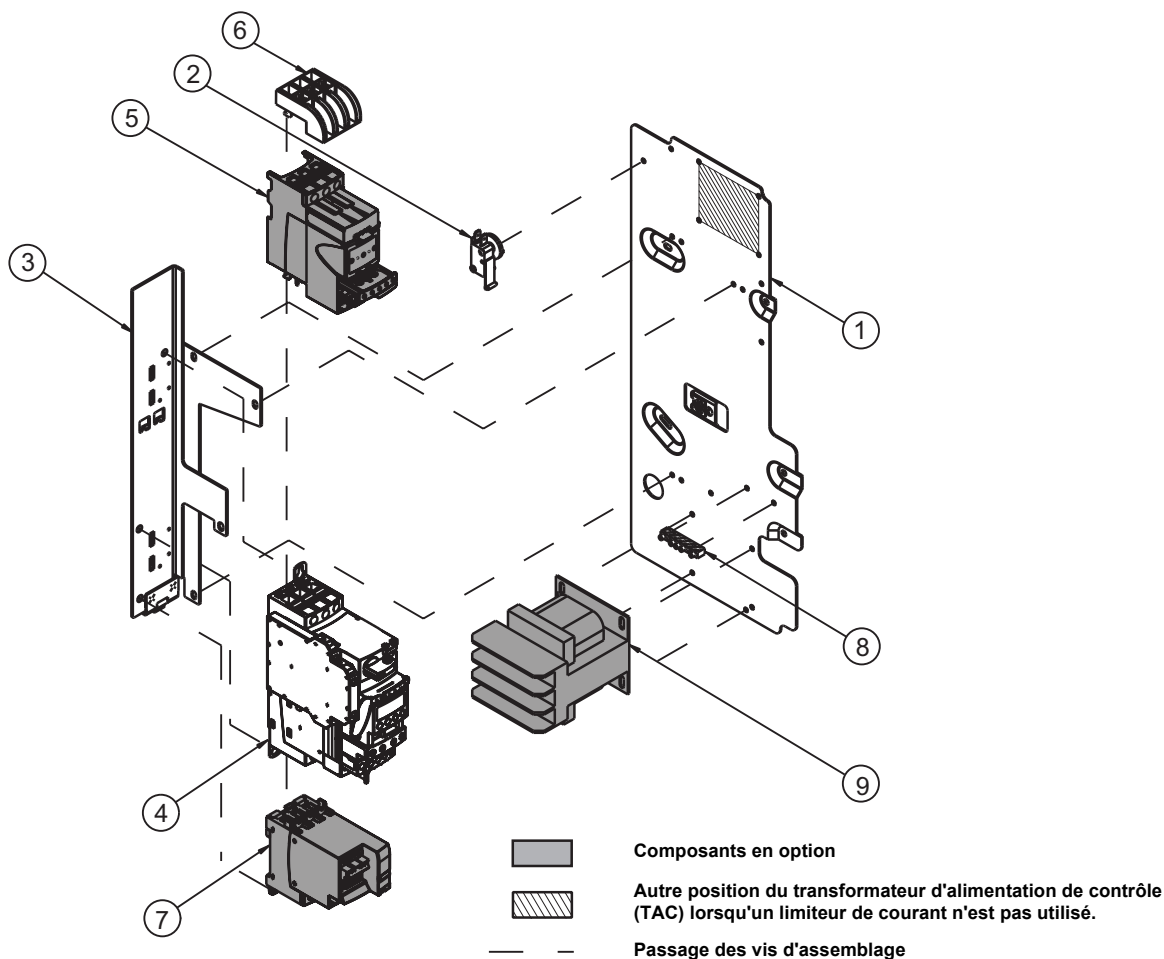
Pour une assistance de dépannage ou réparation, appeler le 1-888-778-2733 ou contacter votre représentant des ventes local Schneider Electric.

Pièces de rechange

Pour des pièces de rechange non indiquées dans ce document, consulter le catalogue DIA1ED2061002EN-US, disponible au site www.schneider-electric.com.

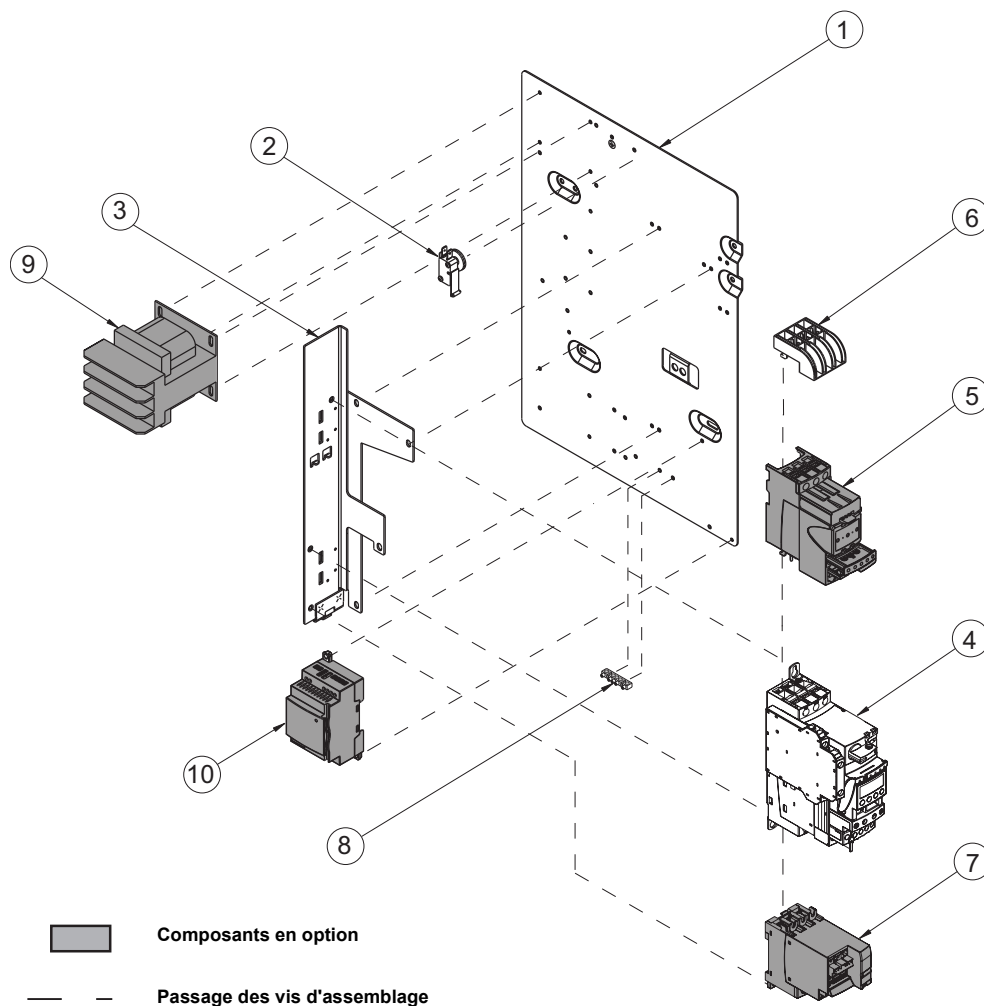
Assemblage

Figure 1 : Unités sans modules de communication



Article	Description	Numéro de pièce
1	Panneau arrière	—
2	Interrupteur de position	XEP3S1W3B529
3	Support à charnière	—
4	Démarreur TeSys U	Le démarreur TeSys U comprend une base de puissance, une unité de contrôle et un bloc à contacts du circuit de contrôle. Pour plus de renseignements et les accessoires disponibles, se reporter au tableau 1 à la page 8.
5	Limiteur de courant	LUALB1
6	Cloison de phases	LU9SP0
7	Module inverseur	Bobine de 24 Vca : LU2MB0B Bobine de 120/208/240 Vca : LU2MB0FU
8	Barre-bus de mise à la terre	40230-898-62
9	Transformateur d'alimentation de contrôle (TAC)	Voir le tableau 5 à la page 28.

Figure 2 : Unités de communication



Article	Description	Numéro de pièce
1	Panneau arrière	—
2	Interrupteur de position	XEP3S1W3B529
3	Support à charnière	—
4	Démarrateur TeSys U	Le démarreur TeSys U comprend une base de puissance, une unité de contrôle et un bloc à contacts du circuit de contrôle. Pour plus de renseignements et les accessoires disponibles, se reporter au tableau 1 à la page 8.
5	Limiteur de courant	LUALB1
6	Cloison de phases	LU9SP0
7	Module inverseur	LU2MB0BL
8	Barre-bus de mise à la terre	40230-898-62
9	Transformateur d'alimentation de contrôle (TAC)	480/120 Vca : 9070TF100D1 600/120 Vca : 9070TF100D5
10	Alimentation Phaseo ^{MC}	ABL8MEM24012

Démarrateur TeSys U

Accessoires

Voir la figure 3 à la page 9 pour les articles désignés par des lettres.

Notes informatives pour le tableau :

- 1 “••” = Compléter le numéro de catalogue en ajoutant le code d'intensité à pleine charge approprié du tableau 6 à la page 29.
- 2 Les unités de contrôle multifonctions doivent être utilisées avec une tension d'alimentation de contrôle de 24 Vcc.
- 3 Les modules de communication doivent être utilisés avec une tension d'alimentation de contrôle de 24 Vcc. Ils ne peuvent être utilisés qu'avec des unités de contrôle de 24 Vcc (article B).
- 4 Un seul type de module peut être installé dans le démarreur TeSys U.
- 5 Des contacts auxiliaires instantanés (1 N.O. et 1 N.F.) sont fournis de façon standard avec le démarreur TeSys U. Pour des contacts auxiliaires supplémentaires, sélectionner un module de contacts auxiliaires.

Tableau 1 : Accessoires

Article	Composant	Description	Numéro de pièce
A	Démarrateur TeSys U	Fournit les pôles de puissance pour la commande.	LUB32NR
B	Unité de contrôle évolutif triphasé	Fournit une caractéristique classe 10 (LUCB) ou 20 (LUCD) contre les déclenchements et une réinitialisation manuelle/automatique en cas d'usage avec le module de fonctionnement approprié.	LUCD••B 1 LUCD••BL LUCD••FU LUCB••B 1 LUCB••BL LUCB••FU
	Unité de contrôle évolutif monophasé	Fournit une caractéristique classe 10 contre les déclenchements pour un système monophasé et une réinitialisation manuelle/automatique en cas d'usage avec le module de fonctionnement approprié.	LUCC••B 1 LUCC••BL LUCC••FU
	Unité de contrôle multifonctions ²	Fournit une caractéristique de déclenchement classe 5 à 30 au choix, avec des fonctions de protection supplémentaires programmables et un module de communication intégré Modbus ^{MC} .	LUCM••BL 1
C ⁴	Modules de communication ³	Permettent la communication en série via Modbus, CANopen, DeviceNet et autres protocoles de communication répandus. Les communications Ethernet TCP/IP sont possibles avec l'option de communication Modbus et une passerelle TeSysPort.	Modbus : LULC033 CANopen : LULC08 DeviceNet : LULC09 Profibus : LULC07 Advantys STB : LULC15 AS-Interface : ASILUFC5 AS-Interface V2 : ASILUFC51 Beckoff : LULC14 Ethernet IP : LULC033 + TCSEQM113M13M + VW3A8306R10
	Modules de contacts auxiliaires	Fournissent un contact mécanique pour surveiller l'état des pôles de puissance. ⁵	2 N.O. : LUFN20 1 N.O. / 1 N.F. : LUFN11 2 N.F. : LUFN02
	Autres modules de fonction	Fournissent les signaux d'alarmes, de défauts (surcharge ou court-circuit), le réarmement manuel ou automatique sur déclenchement par surcharge et l'indication de charge moteur en ampères.	Différenciation des défauts avec réarmement manuel : LUFDH11 Différenciation des défauts avec réarmement auto : LUFDA10 Pré-alarme de surcharge thermique : LUFW10 Indication de la charge moteur : LUFV2
D	Blocs de contacts auxiliaires	Indiquent la position « ready » (disponible) de la manette de contrôle et la signalisation d'un défaut.	1 N.O. / 1 N.F. : LUA1C11 2 N.O. : LUA1C20
E	Limiteur sectionneur / cartouche limiteur	Se monte directement sur le démarreur TeSys U et fournit une meilleure protection contre les courts-circuits.	LUALB1

Tableau 1 : Accessoires (suite)

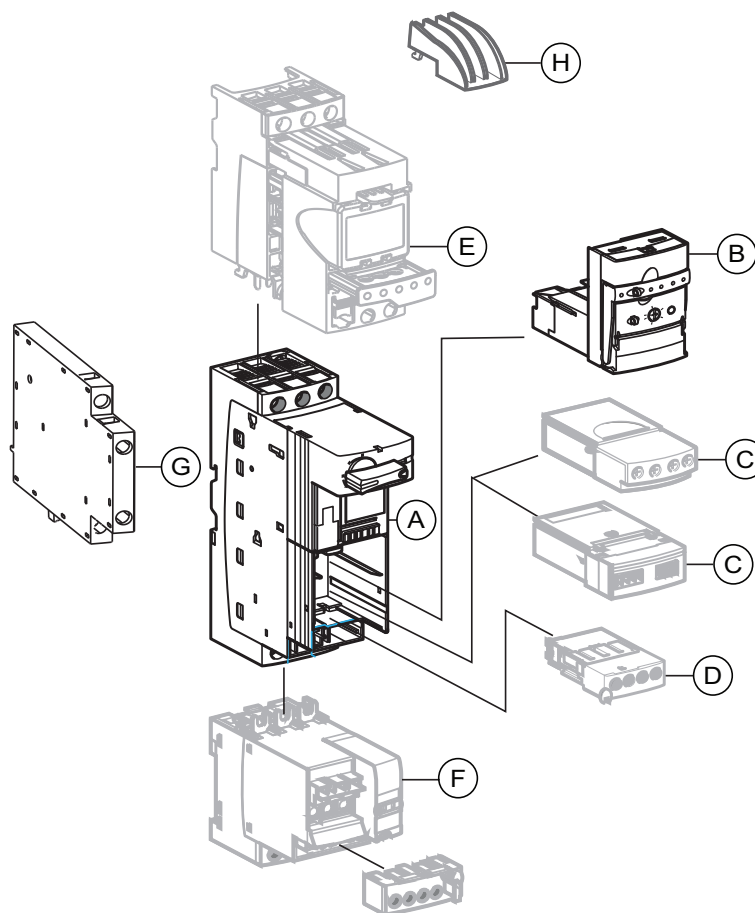
Article	Composant	Description	Numéro de pièce
F	Blocs inverseurs	Requis pour les applications d'inversion.	LU2MB0** 1 LU6M0**
G	Bloc à contacts du circuit de contrôle	Coupe l'alimentation de contrôle associée avec l'état du démarreur TeSys U.	LUA8E20
H	Cloison de phases secteur	Requise pour les applications de commande de moteur combinée auto-protégée UL 508 type E.	LU9SP0

Composants

Composants ombrés:
En option. Requis uniquement pour certaines configurations.

Composants non ombrés:
Requis. Fournis de façon standard avec chaque configuration.

Figure 3 : Composants du démarreur TeSys U



FRANÇAIS

Dimensions

La commande TeSys N est disponible en coffrets NEMA 1, 12/3R et 4/4X.
Pour chaque type de coffret, deux tailles sont disponibles : standard et surdimensionnée.

Coffrets NEMA 1

Figure 4 : NEMA 1, standard

po [mm]

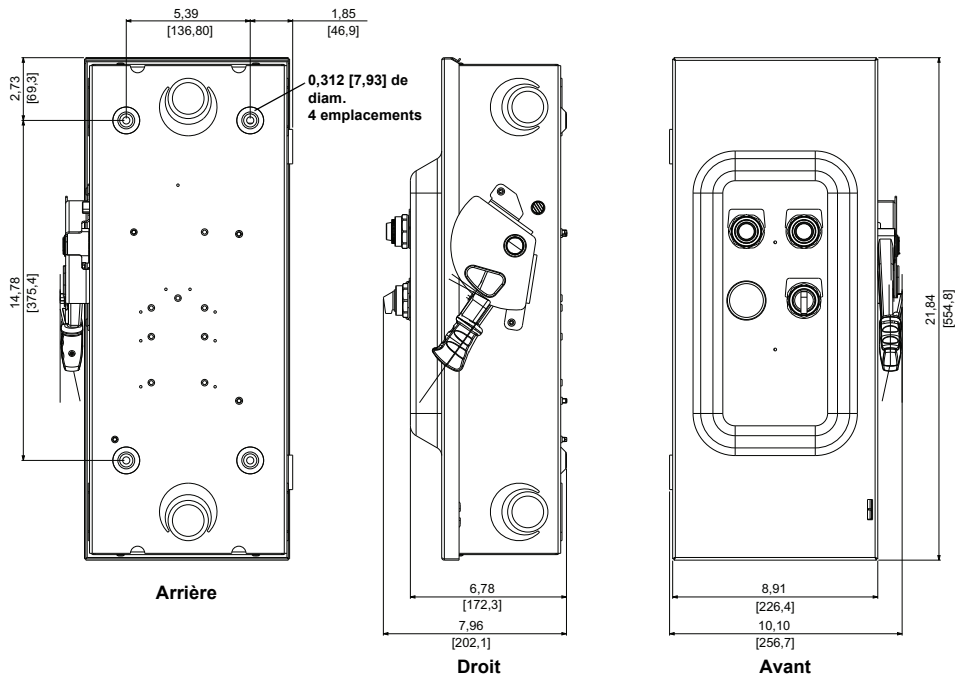
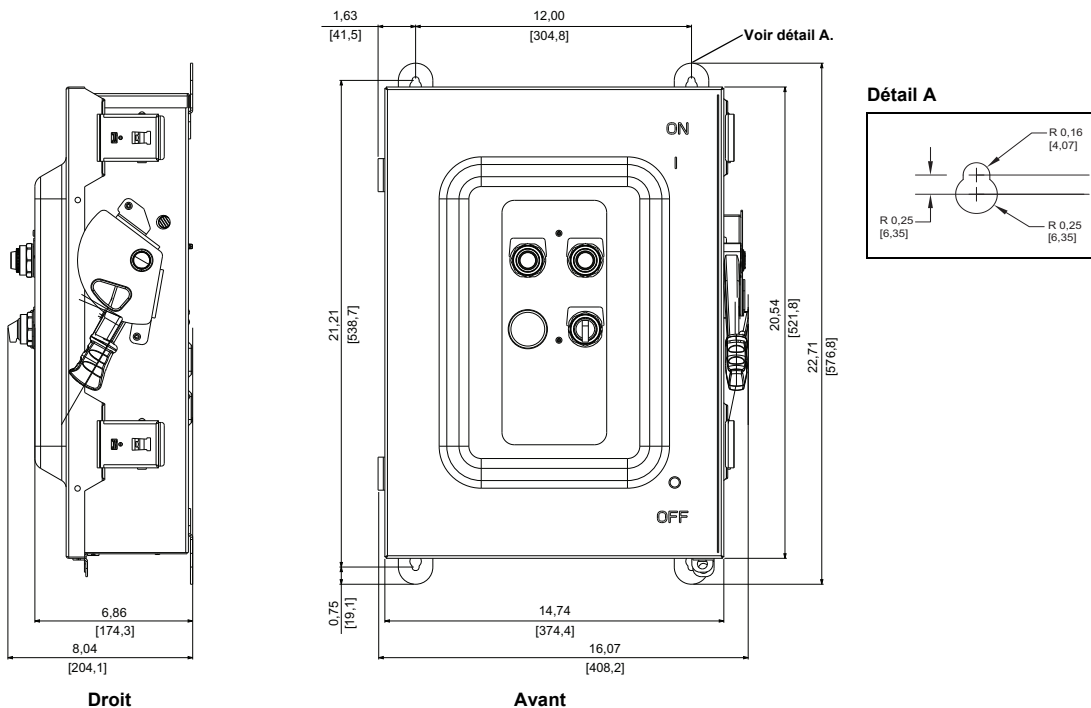


Figure 5 : NEMA 1, surdimensionné

po [mm]



Coffrets NEMA 12/3R

Figure 6 : NEMA 12/3R, standard

po [mm]

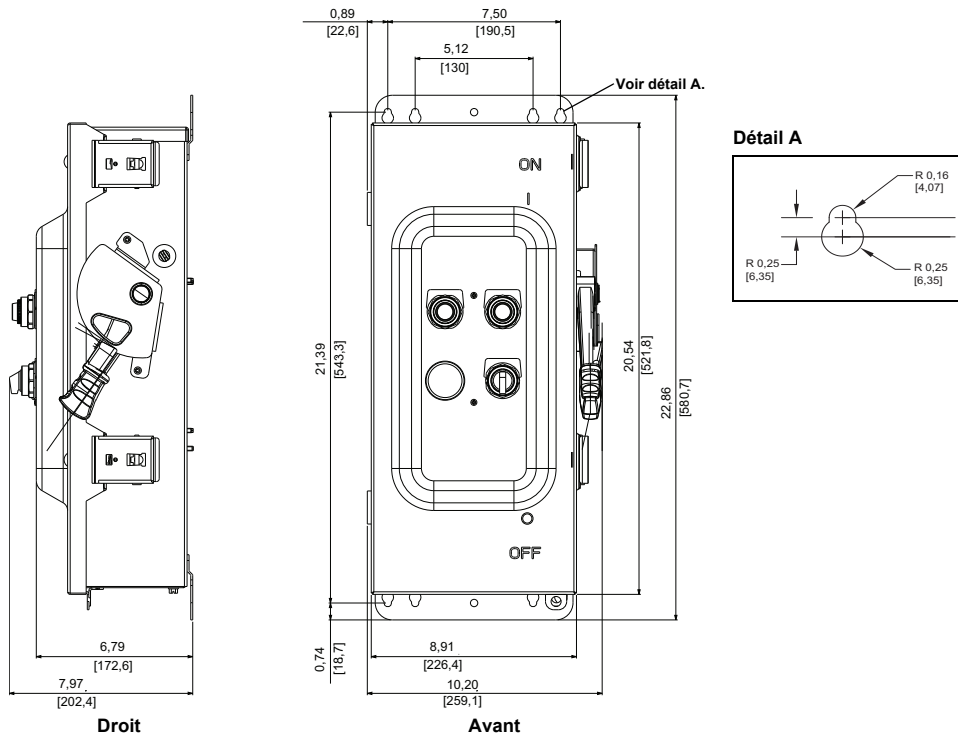
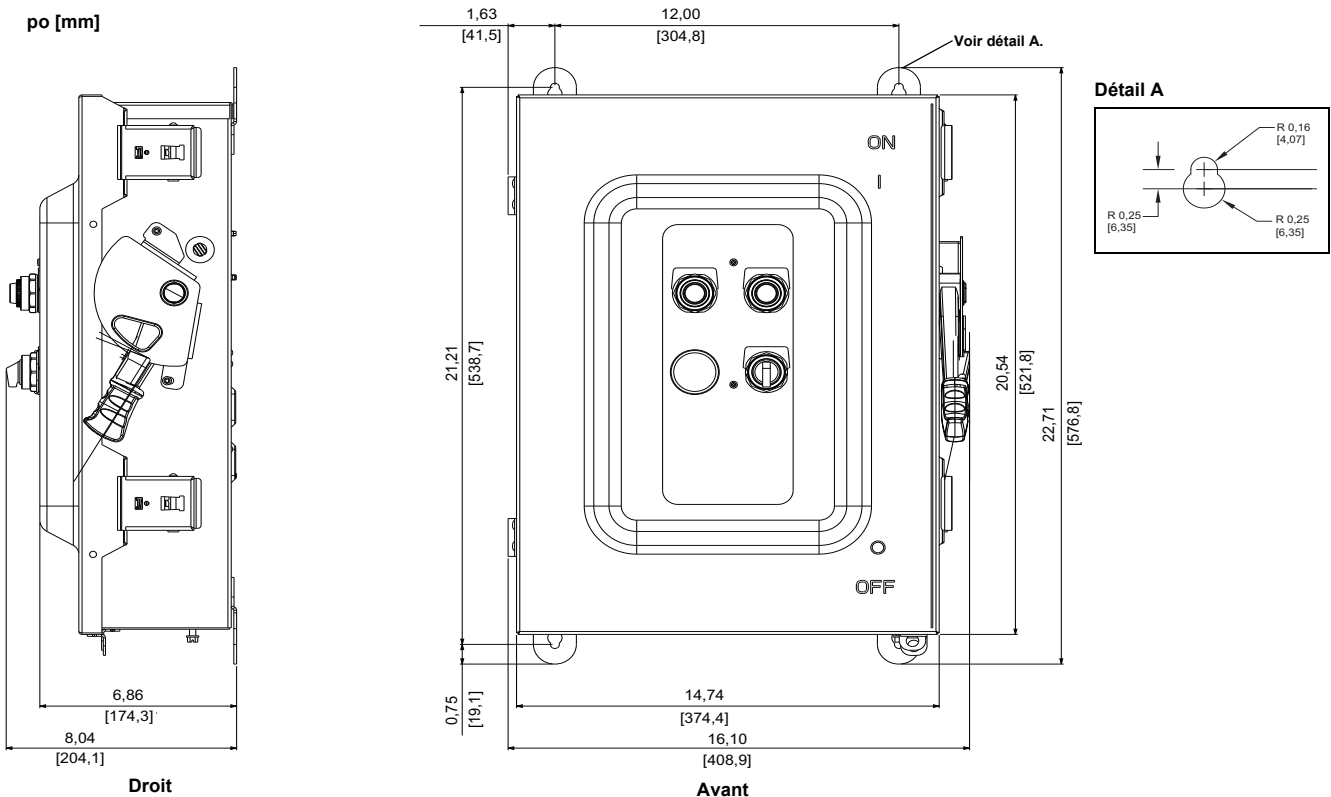


Figure 7 : NEMA 12/3R, surdimensionné

po [mm]



FRANÇAIS

Coffrets NEMA 4/4X

Figure 8 : NEMA 4/4X, standard

po [mm]

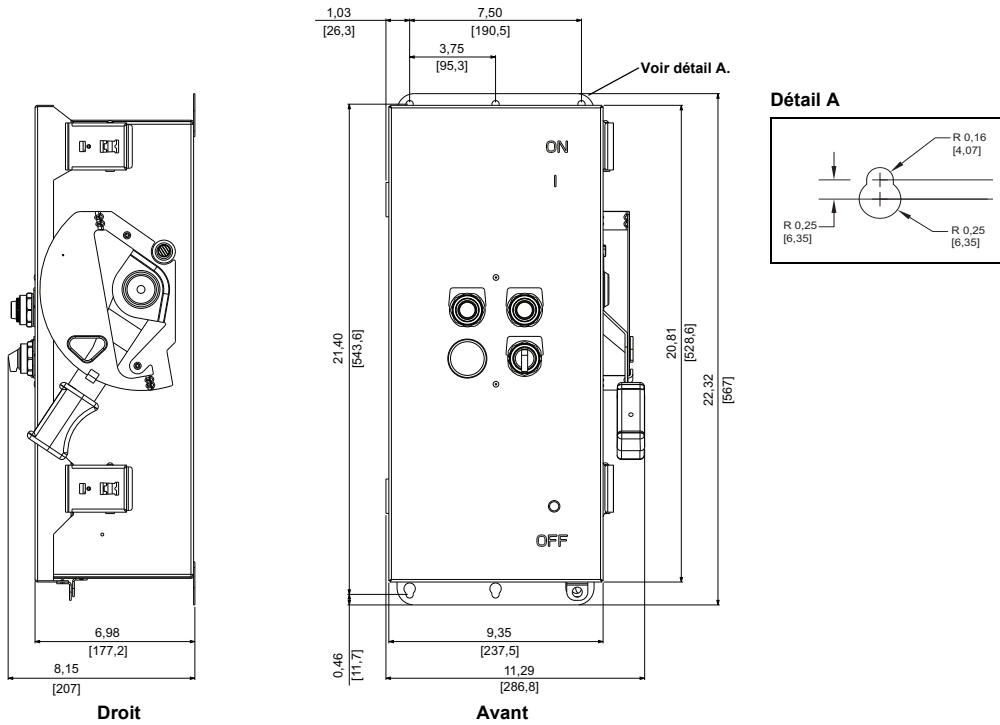
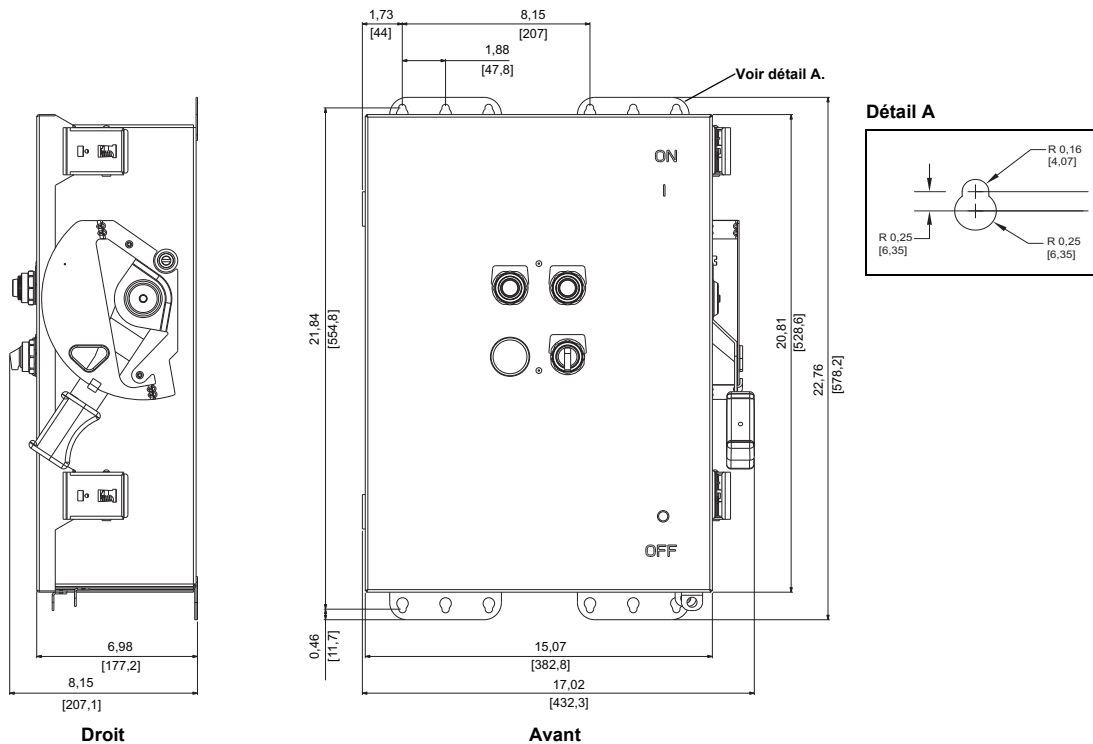


Figure 9 : NEMA 4/4X, surdimensionné

po [mm]



Installation

⚠ DANGER

RISQUE D'ÉLECTROCUTION, D'EXPLOSION OU D'ÉCLAIR D'ARC

- Portez un équipement de protection personnelle (ÉPP) approprié et observez les méthodes de travail électrique sécuritaire. Voir la norme NFPA 70E®, Standard for Electrical Safety in the Workplace® (Normes de sécurité électrique sur le lieu de travail) ou CSA Z462.
- Seul un personnel qualifié doit effectuer l'installation et l'entretien de cet appareil.
- Coupez l'alimentation de l'appareil avant d'y travailler.
- Utilisez toujours un dispositif de détection de tension à valeur nominale appropriée pour vous assurer que l'alimentation est coupée.
- Remplacez tous les dispositifs, les portes et les couvercles avant de mettre l'appareil sous tension.

Si ces directives ne sont pas respectées, cela entraînera la mort ou des blessures graves.

Montage de la commande

⚠ AVERTISSEMENT

RISQUE EN COURS DE LEVAGE ET DE MANUTENTION

Le levage d'unités surdimensionnées exige deux personnes et une table de levage.

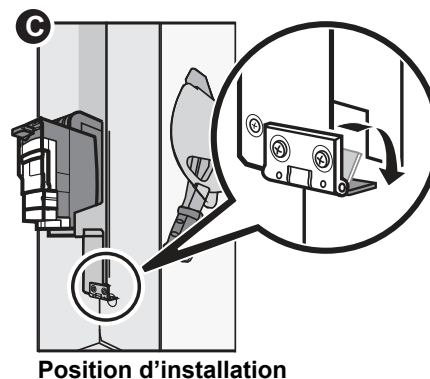
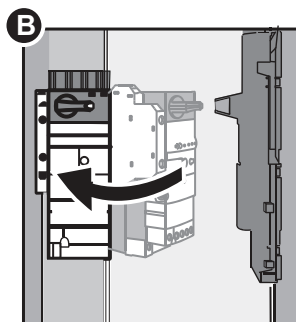
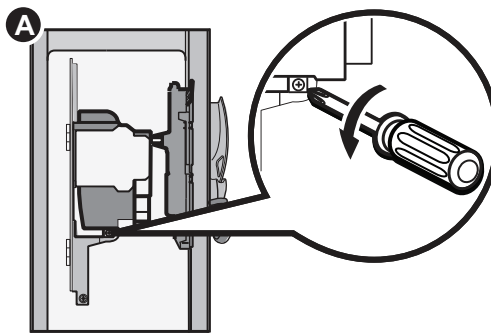
Si ces directives ne sont pas respectées, cela peut entraîner la mort, des blessures graves ou des dommages matériels.

1. **Couper toutes les alimentations.**
2. Mettre la manette de sectionnement à la position d'arrêt (OFF) et ouvrir la porte du coffret.
3. Préparer le coffret pour l'entrée des conduits de ligne et de charge.
 - Pour les coffrets NEMA 1, retirer les débouchures fournies selon le besoin.
 - Pour les coffrets NEMA 12/3R et 4/4X, percer les entrées de conduits et installer les manchons correspondant à la classification d'environnement requise. Voir le tableau 3 à la page 28 pour les manchons disponibles.
4. Sélectionner une surface de montage verticale :
 - Sélectionner une surface de montage plate, solide, non combustible, capable de supporter le poids de la commande.
 - Prévoir suffisamment d'espace autour de la commande pour manœuvrer la manette de sectionnement.
5. Fixer le coffret aux quatre points de montage. Voir les figures 4 à 9 aux pages 10 à 12 pour obtenir les emplacements des trous de montage.
 - Utiliser des fixations classées pour le poids de la commande, les chocs et vibrations de l'installation envisagés et l'environnement.
 - Pour conserver la qualification anti-séisme, utiliser de la quincaillerie de montage SAE qualité 5 et des rondelles Belleville appropriées.
 - Serrer la quincaillerie aux valeurs de couple spécifiées par le fabricant afin d'obtenir la résistance totale des ancrs.

Ouverture de l'assemblage à charnière à la position d'installation

La commande est expédiée avec le démarreur TeSys U fixé au panneau arrière du coffret. Pour câbler, configurer ou dépanner la commande et installer des unités de contrôle ou modules en option, faire pivoter l'assemblage à la position d'installation comme suit.

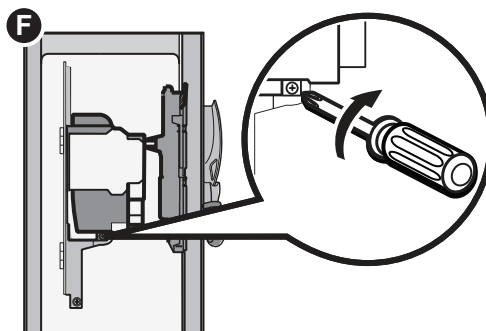
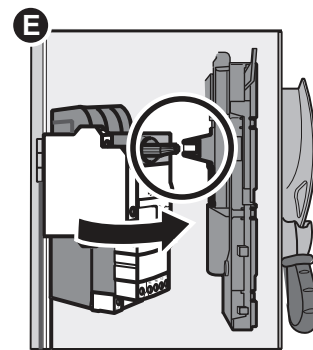
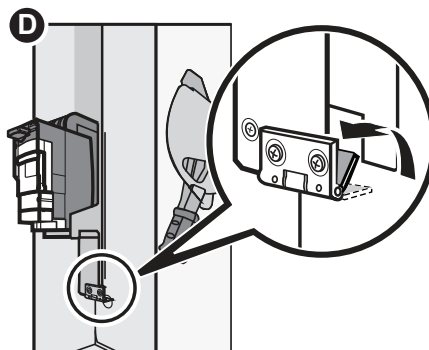
1. Desserrer d'un quart de tour (A) la vis qui fixe l'assemblage au panneau arrière et faire pivoter le démarreur TeSys U de sorte que sa face avant soit orientée vers l'extérieur (B).
2. Le loquet de support doit se déployer au bas de l'assemblage à charnière pour se mettre à la position d'installation (C). S'assurer que le loquet est abaissé et que l'assemblage est bien fixé avant de travailler sur le démarreur TeSys U.



Fermeture de l'assemblage à charnière à la position de fonctionnement

Lorsque l'installation, le câblage et la configuration sont terminés, remettre l'assemblage à charnière à la position de fonctionnement comme suit.

1. S'assurer que le bouton de fonctionnement sur le démarreur TeSys U est à la position d'arrêt (Off) (E). Si le bouton n'est pas à la position d'arrêt, l'assemblage à charnière ne pivotera pas en place.
2. Lever le loquet au bas de l'assemblage à charnière (D) et le faire pivoter à la position de fonctionnement (E).
3. Fixer l'assemblage au panneau arrière en tournant la vis imperdable de fixation d'un quart de tour (F).



Position de fonctionnement

Câblage

⚠ DANGER

RISQUE D'ÉLECTROCUTION, D'EXPLOSION OU D'ÉCLAIR D'ARC

- Lisez les mesures de sécurité à la page 13.
- Coupez l'alimentation de l'appareil avant d'y travailler.
- Suivez les méthodes de câblage décrites dans ce document en plus des méthodes imposées par le code national de l'électricité (NEC®, É.-U.) ainsi que les codes électriques locaux.

Si ces directives ne sont pas respectées, cela entraînera la mort ou des blessures graves.

Câblage d'alimentation

Les bornes de puissance sont spécifiées pour accepter jusqu'à deux fils. Voir le tableau 4 à la page 28 pour les exigences de calibre des fils et de couple de serrage des bornes.

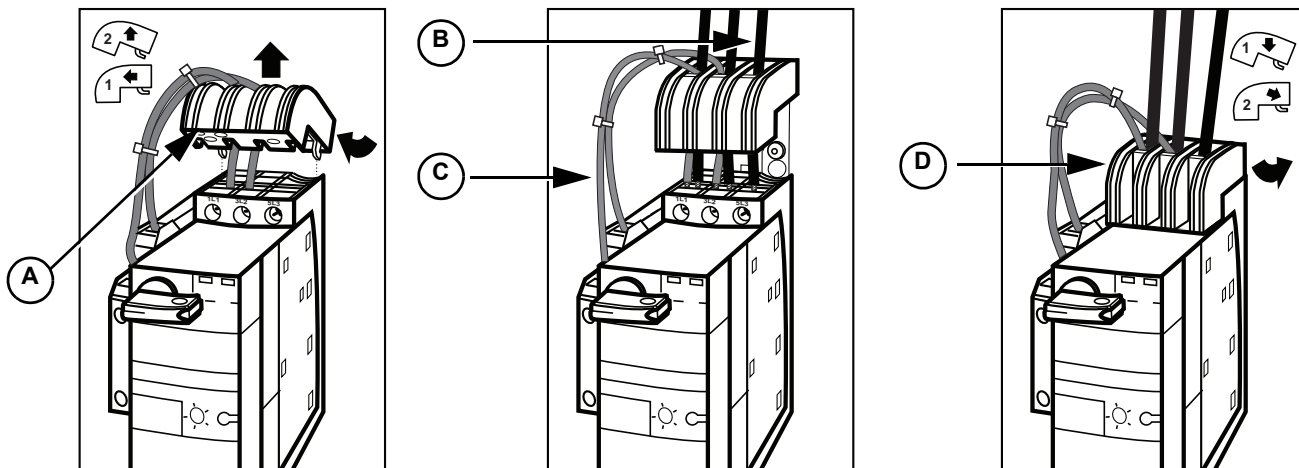
Au moment de prévoir la longueur des câbles de ligne et de charge, s'assurer qu'il y ait assez de mou au haut et au bas du démarreur TeSys U pour faire pivoter l'assemblage à charnière afin de le remettre en position de fonctionnement une fois le câblage terminé.

S'assurer que le moteur raccordé à la commande est d'une puissance nominale inférieure ou égale à celle de la commande.

Câblage du côté ligne

1. Placer l'assemblage à charnière en position d'installation. Voir la page 14.
2. Retirer la cloison de phases (**A**) pour exposer les bornes de ligne. Voir la figure 10 à la page 16. Tirer la cloison de phases (**A**) vers soi afin de libérer les crochets à l'arrière des fentes des bornes de puissance, puis faire glisser la cloison de phase vers le haut jusqu'au câblage de contrôle et la dégager.
3. Acheminer le câblage de ligne à travers la cloison de phases et l'installer aux bornes 1L1, 3L2 et 5L3 (**B**). S'assurer que les fils de dérivation (**C**) vers le circuit de contrôle restent en place sur les bornes :
 - 1L1 et 3L2 pour les dispositifs triphasés et
 - 1L1 et 5L3 pour les dispositifs monophasés
4. Serrer les bornes au couple de 1,9–2,5 N·m (17–22 lb-po).
5. Remettre la cloison de phases en place en la faisant coulisser sur les bornes de ligne (**D**), en s'assurant que les crochets de la cloison de phases s'engagent dans les fentes des bornes de ligne.

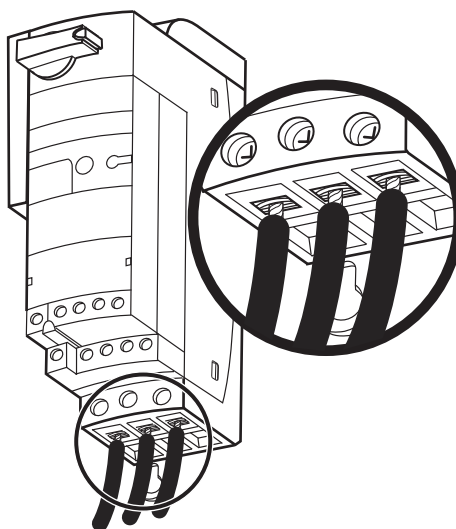
Figure 10 : Câblage du côté ligne



Câblage du côté charge

1. Installer le câblage de charge aux bornes 2T1, 4T2 et 6T3. Voir la figure 11.
2. Serrer les bornes au couple de 1,9–2,5 N•m (17–22 lb-po).

Figure 11 : Câblage du côté charge



Câblage de m.à.l.t.

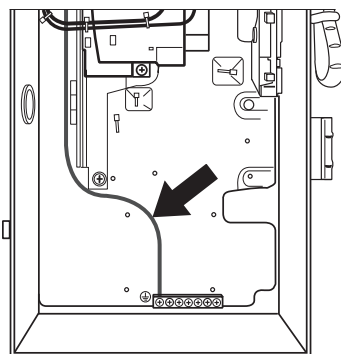
Installer les fils de terre sur la barre de m.à.l.t. au bas du coffret. Voir la figure 12. Typiquement, il y a trois fils de m.à.l.t. :

- Conduit d'alimentation
- Conduit de charge
- Conduit du circuit de contrôle

Serrer les bornes au couple suivant :

- n° 14-10 AWG (2-5 mm²) 4 N•m (35 lb-po)
- n° 8-6 AWG (8-13 mm²) 4,5 N•m (40 lb-po)

Figure 12 : Fil de m.à.l.t.



Câblage de contrôle

⚠ AVERTISSEMENT

FONCTIONNEMENT INATTENDU DE L'APPAREIL

- Si vous voulez alimenter un contrôle séparé de 24 Vcc, fournissez un raccordement de m.à.l.t. au circuit de contrôle.
- Pour les dispositifs munis d'un module de communication, maintenez le câblage de communication séparé de tout autre câblage.

Si ces directives ne sont pas respectées, cela peut entraîner la mort, des blessures graves ou des dommages matériels.

Observer les recommandations suivantes lors de l'installation d'un câblage de contrôle :

- Le circuit de contrôle est câblé à l'usine avec un câble de 16 AWG (1,5 mm²). Voir la plaque signalétique de la commande et le tableau 4 à la page 28 pour les exigences de calibre des fils et les couples de serrage des bornes.
- Câbler les entrées de commandes de contrôle et les contacts auxiliaires nécessaires comme indiqué sur le schéma de circuit pour l'unité.
- Des fusibles de 5 A, classe CC, sont recommandés pour la protection du circuit de contrôle contre les surintensités.
- Lors de la pose du câblage de contrôle au travers du côté à charnière de la porte, dans le coffret, faire glisser les câbles dans la gaine protectrice fournie.

- Pour les dispositifs de contrôle séparés, s'assurer que le circuit de contrôle est correctement mis à la terre.
- Pour les dispositifs munis d'un module de communication, maintenir le câblage de communication séparé du câblage de ligne et de charge et d'autres fils de contrôle.

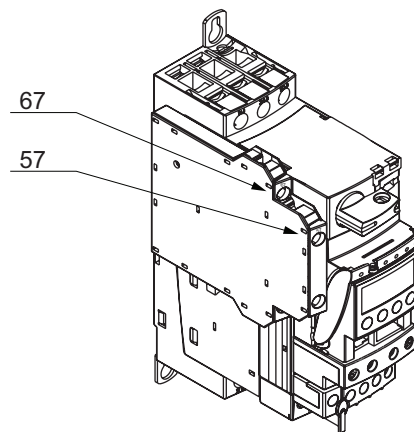
Contrôle commun et contrôle du transformateur

Pour le contrôle commun et le contrôle du transformateur, la commande est livrée avec le circuit de contrôle pré-câblé. Aucun câblage supplémentaire n'est requis sauf pour la configuration avec un sélecteur manuel-arrêt-auto.

Contrôle distinct

Pour avoir un contrôle distinct, raccorder deux fils de contrôle aux contacts 57 et 67 du bloc à contacts du circuit de contrôle.

Figure 13 : Bornes 57 et 67



Contrôle à distance

Selon la tension, le calibre du fil et le nombre de fils de contrôle utilisés, l'impédance de série ou la capacité shunt peut limiter la longueur maximale du câblage des contacteurs et démarreurs commandés à distance.

Ce contacteur est conforme à la norme IEC60947-4-1 et les bobines ont démontré la possibilité de le relâcher lorsqu'il est connecté à une capacité équivalente à 100 m (328 pieds) de fil de contrôle d'un calibre de 1,5 mm² (16 AWG). Pour des acheminements de fils de contrôle d'une longueur importante, tenir compte des effets de l'impédance de série et de la capacité shunt.

Pour plus de renseignements, obtenir le bulletin de données 24572-EN du site Web www.schneider-electric.com ou au bureau des ventes local Schneider Electric.

Étiquettes

La commande est expédiée avec des étiquettes en anglais placées sur le coffret. Des étiquettes en français et espagnol sont fournies dans la pochette de documentation. Placer la version en langue appropriée sur les étiquettes en anglais en tant que de besoin.

Configuration

Réglage du courant à pleine charge (CPC) avec un module de contrôle évolutif

Pour les commandes munies d'un module de contrôle évolutif (types LUCB, LUCC, LUCD), le courant à pleine charge du moteur est réglé à l'aide d'un cadran sur la face avant de l'unité comme suit. Voir la figure 15.

1. Placer l'assemblage à charnière en position d'installation. Voir la page 14.
2. Tirer vers le bas la poignée de verrouillage du module de contrôle évolutif (**A**).
3. À l'aide d'un tournevis plat ou cruciforme (Phillips), régler le cadran au courant à pleine charge requis (**B**).
 - Si le moteur a un facteur de service de 1,0, multiplier le courant à pleine charge du moteur par 0,9 et régler le cadran à cette valeur.
 - Si le moteur a un facteur de service de 1,15 à 1,25, régler le cadran de réglage au courant à pleine charge du moteur.
4. Remettre en place la poignée de verrouillage du module de contrôle évolutif en la tirant vers le haut (**C**). S'assurer que la poignée est verrouillée en position.

Figure 14 : Module de contrôle évolutif

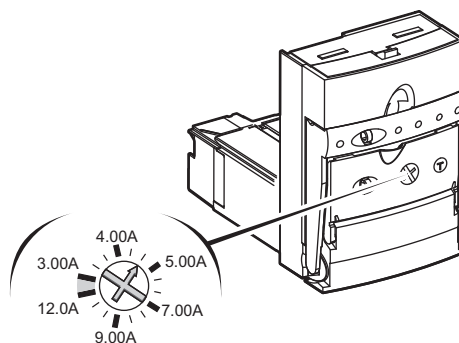
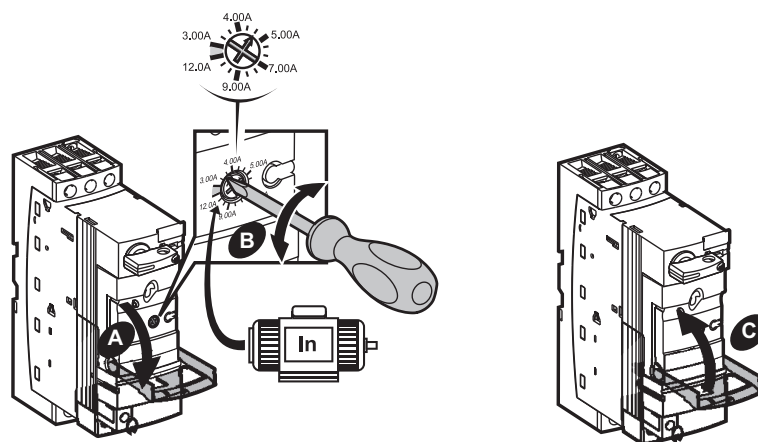


Figure 15 : Réglage du courant à pleine charge



Réglage de l'adresse d'un module de communication

Si la commande TeSys N est commandée avec un module de communication, celui-ci est pré-installé et pré-câblé. Si le module de communication est commandé séparément de la commande, se reporter à « Installation d'un module de communication » à la page 27 avant d'exécuter les points de cette section.

Il faut régler l'adresse du module de communication pour qu'il puisse fonctionner.

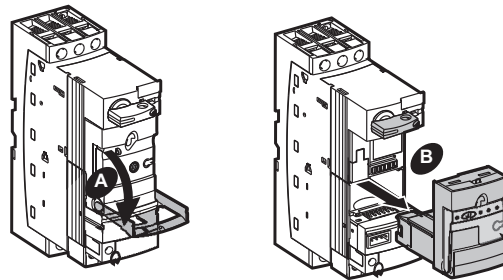
Si le module de communication est conçu pour l'un des protocoles suivants, il faut régler l'adresse sur le réseau à l'aide du logiciel PLC. Pour plus de renseignements, se reporter à la documentation relative au module de communication. Voir la page 5.

- Beckoff (LULC14)
- AS-Interface (ASILUFC5)
- AS-Interface V2 (ASILUFC51)

Pour tout autre module de communication, régler l'adresse comme suit.

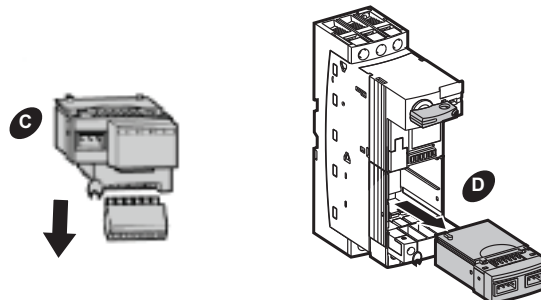
1. Si la configuration ne comporte pas d'unité de contrôle, passer au point 2. Autrement, tirer vers le bas (**A**) la poignée de verrouillage de l'unité de contrôle, puis retirer l'unité de contrôle du démarreur TeSys U (**B**). Voir la figure 16.

Figure 16: Retrait de l'unité de contrôle



2. Retirer le bornier enfichable du module de communication afin d'éviter l'endommagement du câblage (**C**) et retirer le module de communication du démarreur TeSys U (**D**). Voir la figure 17.

Figure 17: Retrait du bornier et du module de communication



3. L'adresse du module de communication est réglée par des interrupteurs sur le dessous du module. Voir la figure 18.

Le module de communication est expédié avec l'adresse réglée à l'usine à « 1 ». La gamme des valeurs acceptées pour les adresses varie selon le protocole de communication. Le codage des adresses est en format binaire avec le bit de poids faible sur la droite, indiqué par la flèche vers le haut sur la figure 19. L'adresse 0 n'est pas valide.

La figure 19 représente un module de communication Modbus LULC033 à titre d'exemple. Le nombre d'interrupteurs à micro-contacts (interrupteurs DIP) varie en fonction du module de communication.

Figure 18: Emplacement des interrupteurs d'adresse

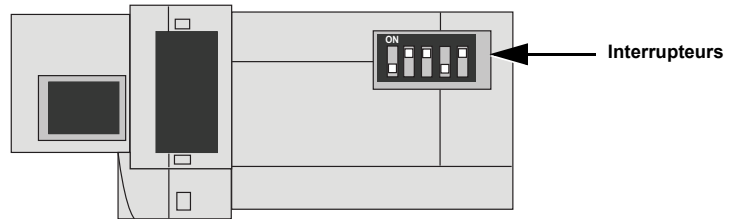
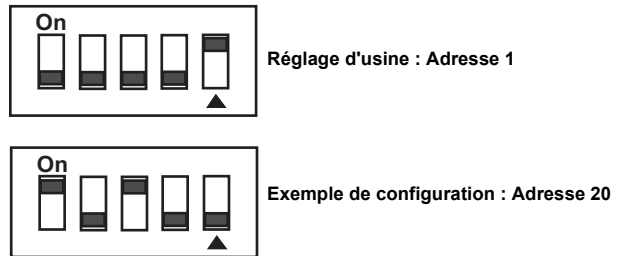
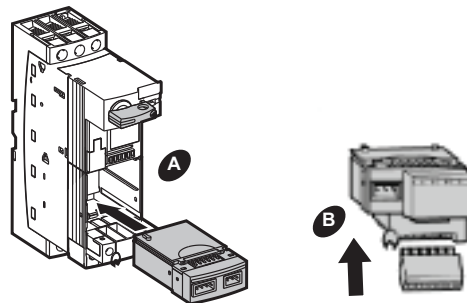


Figure 19: Exemples d'adresses



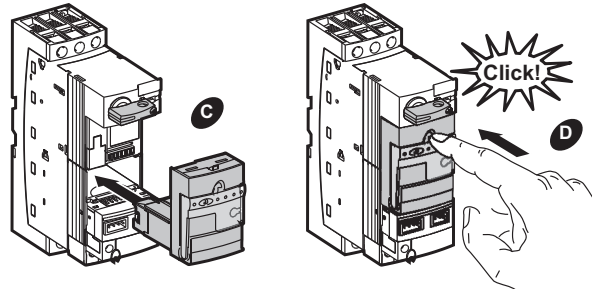
4. Après avoir configuré l'adresse, réinstaller le module de communication (A) et réinstaller le bornier enfichable sur le module de communication (B). Voir la figure 20.

Figure 20: Réinstallation du module de communication et du bornier



5. Remettre la poignée de verrouillage à sa position initiale. Puis rebrancher l'unité de contrôle sur le démarreur TeSys U (C) jusqu'à ce qu'il s'emboîte en place (D). Voir la figure 21.

Figure 21: Réinstallation du module de contrôle



6. Certains modules de communication nécessitent une mise en service supplémentaire sur le réseau à l'aide du logiciel PLC pour pouvoir fonctionner. Pour plus de renseignements, se reporter à la documentation relative au module de communication. Voir la page 5.

Réglage des paramètres de base avec un module de contrôle multifonctions

⚠ DANGER

FONCTIONNEMENT INATTENDU DE L'APPAREIL

Avant de faire fonctionner la commande TeSys N :

- Coupez l'alimentation de l'appareil avant d'y travailler.
- Lisez et comprenez le *Manuel d'utilisation des unités de contrôle multifonctions LUCM/LUCMT TeSys U* (document numéro 1743237) avant de modifier les réglages par défaut d'usine des paramètres.
- Si la commande ou le module de contrôle multifonctions est remplacé, la commande doit être reprogrammée conformément aux directives de programmation comprises dans le document numéro 1743237.
- Les unités de contrôle multifonctions doivent être utilisées avec une tension d'alimentation de contrôle de 24 Vcc. L'utilisation d'une unité de contrôle multifonctions avec toute autre tension d'alimentation de contrôle entraînera l'endommagement et l'impossibilité de fonctionnement de l'appareil.

Si ces directives ne sont pas respectées, cela entraînera la mort, des blessures graves ou des dommages matériels.

Pour configurer et régler les paramètres de base de l'unité de contrôle multifonctions, une alimentation de 24 Vcc doit être fournie à l'entrée d'alimentation auxiliaire du dispositif. Voir l'article 4 de la figure 22 (page 24). L'unité de contrôle multifonctions n'a pas à être installée dans le démarreur TeSys U pour être mise sous tension et programmée.

L'interface de l'unité de contrôle multifonctions comporte deux programmes : le menu principal (Main) et le menu de configuration (Config).

La première fois que l'unité de contrôle multifonctions est mise sous tension, elle est en mode de configuration. L'interface affiche automatiquement le menu de configuration. Le menu de configuration peut être saisi à partir du menu principal en exécutant une réinitialisation avec la fonction **84_Raz**.

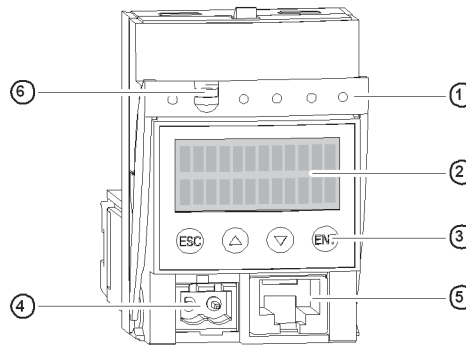
Cette section couvre la configuration des paramètres de base suivants :

- Langue
- Type de charge
- Intensité à pleine charge
- Classe de déclenchement

Pour les renseignements de configuration d'autres paramètres, se reporter au *Manuel d'utilisation des unités de contrôle multifonctions LUCM/LUCMT TeSys U*, document n° 1743237. Le manuel est disponible au site www.schneider-electric.com.

Caractéristiques et fonctionnement du terminal d'exploitation

Figure 22 : Caractéristiques du terminal d'exploitation



1	Poignée de verrouillage et retrait
2	Afficheur à cristaux liquides (LCD)
3	Terminal d'exploitation
4	Alimentation auxiliaire de 24 Vcc ¹
5	Point d'accès de communication RJ-45, Modbus RS-485
6	Option pour sceller la poignée de verrouillage

¹ Connecteur scellé sur l'unité LUCMT

Tableau 2 : Fonctionnement du terminal d'exploitation

	Se déplacer d'un niveau vers le haut dans le menu. La touche ESC (Echap) ne sauvegarde aucun réglage.	On peut appuyer plusieurs fois sur cette touche pour retourner au programme.
	Parcourir : • un programme => des sous-programmes • un sous-programme => des fonctions • une fonction => des réglages	Certains sous-programmes comprennent seulement des fonctions et leurs réglages. D'autres comprennent des fonctions avec plusieurs paramètres et leurs réglages.
	Parcourir les réglages disponibles.	Le signe « = » précède un réglage d'usine ou un réglage défini par l'utilisateur. Le signe « ? » précède les réglages disponibles.
	Augmenter ou diminuer la valeur du réglage affiché.	Pour augmenter ou diminuer rapidement la valeur d'un réglage, appuyer sur la touche et la maintenir enfoncée.
	1. Se déplacer d'un niveau vers le bas dans le programme. 2. Confirmer et sauvegarder le réglage affiché.	Après avoir sauvegardé le réglage : • Le signe « ? » est remplacé par « = ». • Le réglage est affiché pendant 2 secondes, puis l'afficheur retourne automatiquement au niveau plus élevé suivant.

Pour configurer et régler les paramètres de base de l'unité de contrôle multifonctions, une alimentation de 24 Vcc doit être fournie à l'entrée d'alimentation auxiliaire du dispositif. Voir l'article 4 de la figure 22 (page 24).

Sélection de la langue

Les langues disponibles sont l'anglais, le français, l'espagnol, l'allemand et l'italien. Le réglage d'usine est « English ». Si l'anglais est préféré, passer à « Sélection du type de charge » ci-dessous. Si l'anglais n'est pas la langue préférée, changer le réglage comme suit :

1. Appuyer sur ENT pour commencer la configuration. La première fonction du menu de configuration, « Langue », s'affichera. Appuyer sur ENT pour sélectionner la langue.
2. Appuyer sur la flèche BAS pour afficher la langue préférée. La langue sera précédée du symbole « ? ».
3. Appuyer sur ENT pour enregistrer la langue préférée. Le symbole « ? » sera remplacé par « = ».
4. L'afficheur retournera automatiquement au menu de configuration une fois le réglage de la langue enregistré.

Sélection du type de charge

Le type de charge est réglé à l'usine en triphasé. Si triphasé est le type de charge préféré, passer à « Réglage du courant à pleine charge (CPC) » ci-dessous. Si le type de charge préféré est monophasé, procéder selon les points suivants :

1. Appuyer sur la flèche BAS pour afficher « **Charge** » et appuyer sur ENT pour le sélectionner.
2. Appuyer sur la flèche BAS pour afficher le symbole « ? » **Moteur 1 ph.**
3. Appuyer sur ENT pour enregistrer le réglage. Le symbole « ? » sera remplacé par « = ».
4. L'afficheur retournera automatiquement au menu de configuration une fois le réglage du type de charge enregistré.

Réglage du courant à pleine charge (CPC)

1. Appuyer sur la flèche BAS pour afficher « **Fin** ».
2. Appuyer sur ENT pour afficher « **=Non** ».
3. Appuyer sur la flèche BAS pour afficher « **=Oui** ».
4. Appuyer sur ENT pour enregistrer le réglage et appuyer de nouveau sur ENT pour retourner au menu principal.

REMARQUE : Le dispositif atteindra la fin de son temps de fonctionnement si l'attente est trop longue avant d'appuyer sur ENT. Si cela se produit, appuyer sur ENT pour retourner au menu principal.

5. Appuyer sur la flèche BAS pour afficher « **3 Régler** » et appuyer sur ENT pour le sélectionner.
6. « **31_Ir moteur** » s'affichera. Appuyer sur ENT pour le sélectionner.
7. Appuyer sur la flèche flèche HAUT pour afficher la valeur du courant à pleine charge indiquée sur la plaque signalétique du moteur. La valeur sera précédée du symbole « ? ».
8. Appuyer sur ENT pour enregistrer le réglage. Le symbole « ? » sera remplacé par « = ».
9. L'afficheur retournera automatiquement au menu « 3 Régler » une fois le réglage enregistré. Appuyer sur ESC pour retourner au menu principal.

Réglage de la classe de déclenchement

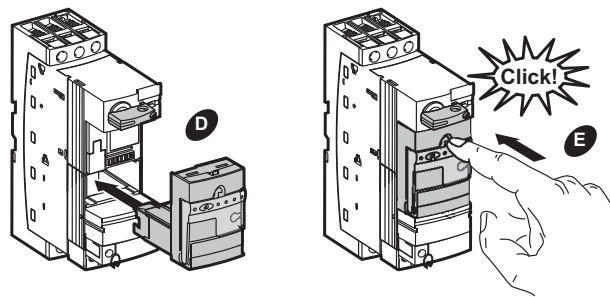
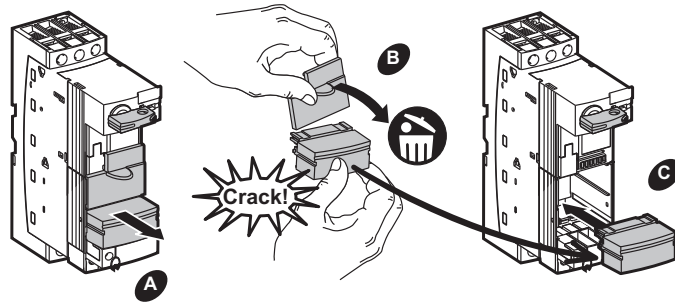
Le réglage d'usine est classe 5. Pour changer le réglage, procéder selon les points suivants.

1. Appuyer sur la flèche BAS pour afficher « **4 Paramètre** » et appuyer sur ENT.
2. « **41_Classe** » s'affichera. Appuyer sur ENT pour le sélectionner.
3. « **=5** » sera affiché. Appuyer sur la flèche HAUT pour afficher la classe de déclenchement préférée. La valeur sera précédée du symbole « ? ».
4. Appuyer sur ENT pour enregistrer le réglage. Le symbole « ? » sera remplacé par « = ».
5. L'afficheur retournera automatiquement au menu « 4_Paramètre » une fois le réglage enregistré. Appuyer sur ESC pour retourner au menu principal.

Installation d'une unité de contrôle

Si le démarreur TeSys U n'a pas d'unité de contrôle, il faut en installer une.

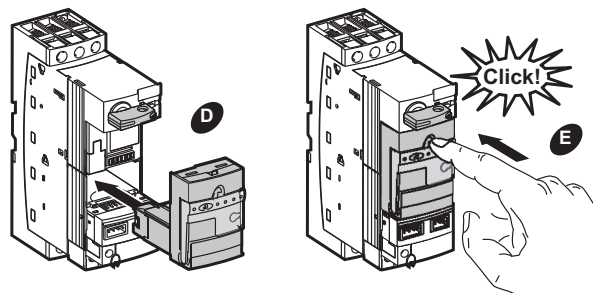
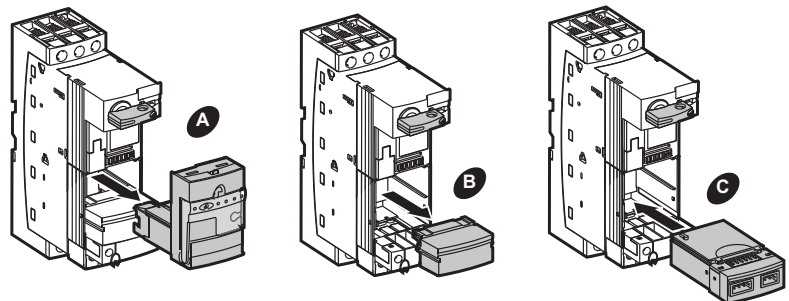
1. Les démarreurs TeSys U expédiés sans unité de contrôle sont munis d'un couvercle en matière plastique à l'emplacement d'installation de l'unité de contrôle. Enlever le couvercle en matière plastique (A).
2. Séparer le haut de ce couvercle et le jeter (B).
3. Réinstaller la partie inférieure du couvercle sur le démarreur TeSys U (C).
4. Brancher l'unité de contrôle au démarreur TeSys U, sur le couvercle en matière plastique (D).
5. Pousser l'unité de contrôle jusqu'à ce qu'elle s'emboîte en place (E).
6. Pour retirer l'unité de contrôle, si besoin est, abaisser la poignée de verrouillage et s'en servir pour séparer l'unité de contrôle du démarreur.



Installation d'un module de communication

Des modules de communication sont disponibles en option pour la commande. Les modules de communication ne peuvent être utilisés qu'avec des unités de contrôle de 24 Vcc.

1. Abaisser la poignée de verrouillage de l'unité de contrôle, séparer l'unité de contrôle du démarreur TeSys U (A) et enlever le couvercle en matière plastique sous l'unité de contrôle (B).
2. Installer le module de communication sur le démarreur TeSys U à la place du couvercle en matière plastique (C).
3. Remettre la poignée de verrouillage à sa position initiale, puis brancher l'unité de contrôle au démarreur TeSys U, au-dessus du module de communication (D).
4. Pousser l'unité de contrôle jusqu'à ce qu'elle s'emboîte en place (E).
5. Pour les directives de câblage, consulter la documentation pour le protocole de communication utilisé. Voir la section « Documentation complémentaire » à la page 5.



Tableaux de référence et d'entretien

Tableau 3 : Manchons pour les applications NEMA 12, 4/4X et 3R

	Taille du conduit									
	0,5 po	0,75 po	1 po	1,25 po	1,5 po	2 po	2,5 po	3 po	3,5 po	4 po
Manchon en zinc étanche à l'eau	H050	H075	H100	H125	H150	H200	H250	H300	H350	H400
Manchon chromé étanche à l'eau	H050CP	H075CP	H100CP	H125CP	H150CP	H200CP	—	—	—	—
Manchon à l'épreuve de la pluie	—	—	—	—	—	—	—	B300	B350	B400

Tableau 4 : Calibre de fil recommandé

Caractéristiques des raccordements du circuit d'alimentation		
Câble toronné sans terminaison	1 conducteur	14-8 AWG (2,5-10 mm ²)
	2 conducteurs	16-10 AWG (1,5-6 mm ²)
Câble toronné avec terminaison	1 conducteur	16-10 AWG (1-6 mm ²)
	2 conducteurs	16-10 AWG (1-6 mm ²)
Câble plein	1 conducteur	16-8 AWG (1-10 mm ²)
	2 conducteurs	16-10 AWG (1-6 mm ²)
Tournevis		Phillips n° 2 ou plat de 1/4 po
Couple de serrage		1,9-2,5 N•m (16-22 lb-po)
Caractéristiques des raccordements du circuit de contrôle		
Câble toronné sans terminaison	1 conducteur	18-14 AWG (0,75-1,5 mm ²)
	2 conducteurs	18-14 AWG (0,75-1,5 mm ²)
Câble toronné avec terminaison	1 conducteur	22-14 AWG (0,34-1,5 mm ²)
	2 conducteurs	22-14 AWG (0,34-1,5 mm ²)
Câble plein	1 conducteur	18-14 AWG (0,75-1,5 mm ²)
	2 conducteurs	18-14 AWG (0,75-1,5 mm ²)
Tournevis		Phillips n° 1 ou plat de 3/16 po
Couple de serrage		0,8-1,2 N•m (7-10,5 lb-po)

Tableau 5 : Transformateurs d'alimentation de contrôle de capacité standard¹, unités sans communication uniquement

Code de tension	Tension primaire / secondaire (Vca)	Transformateur d'alimentation de contrôle	Fusible primaire (2 requis)	Fusible secondaire (1 requis)
V89	120 / 24	9070TF100D7	25430-20200	25419-21000
V90	208 / 24	9070TF100D14	25430-20113	
V82	240 / 24	9070TF100D2	25430-20100	
V83	480 / 24	9070TF100D2	25430-20050	
V91	600 / 24	9070TF100D36	25430-20040	
V84	208 / 120	9070TF100D3	25430-20113	25419-20100
V80	240 / 120	9070TF100D1	25430-20100	
V81	480 / 120	9070TF100D1	25430-20050	
V86	600 / 120	9070TF100D5	25430-20040	

¹ Pour une capacité supplémentaire et de plus amples renseignements, voir le *Digest* ou contacter le bureau de ventes Schneider Electric le plus proche.

Tableau 6 : Numéros de catalogue des unités de contrôle

Classe de déclenchement	Courant à pleine charge (CPC)					
	0,15 à 0,6 A	0,35 à 1,4 A	1,25 à 5 V	3 à 12 A	4,5 à 18 A	8 à 12 A
10, évolutif, triphasé	LUCBX6**	LUCB1X**	LUCB05**	LUCB12**	LUCB18**	LUCB32**
20, évolutif, triphasé	LUCDX6**	LUCD1X**	LUCD05**	LUCD12**	LUCD18**	LUCD32**
10, évolutif, monophasé	LUCCX6**	LUCC1X**	LUCC05**	LUCC12**	LUCC18**	LUCC32**
Sélectionnable de 5 à 30; monophasé et triphasé	LUCMX6BL	LUCM1XBL	LUCM05BL	LUCM12BL	LUCM18BL	LUCM32BL

"**" = Compléter le numéro de catalogue en ajoutant le code de tension approprié du tableau 7.

Tableau 7 : Codes de tension

Volts	24	110–240
cc	BL	—
ca	B	FU

Voyant lumineux bleu « Sous tension »

⚠ DANGER

RISQUE D'ÉLECTROCUTION, D'EXPLOSION OU D'ÉCLAIR D'ARC

- Portez un équipement de protection personnelle (ÉPP) approprié et observez les méthodes de travail électrique sécuritaire. Voir la norme NFPA 70E®, Standard for Electrical Safety in the Workplace® (Normes de sécurité électrique sur le lieu de travail) ou CSA Z462.
- Seul un personnel qualifié doit effectuer l'installation et l'entretien de cet appareil.
- Coupez l'alimentation de l'appareil avant d'y travailler.
- Utilisez toujours un dispositif de détection de tension à valeur nominale appropriée pour vous assurer que l'alimentation est coupée.
- Remplacez tous les dispositifs, les portes et les couvercles avant de mettre l'appareil sous tension.

Si ces directives ne sont pas respectées, cela entraînera la mort, des blessures graves ou des dommages matériels.

Si la manette externe de la commande TeSys N est à la position d'arrêt (OFF) et le voyant lumineux bleu « Sous tension » est allumé, le démarreur TeSys U a besoin d'être vérifié (voir l'article A du tableau 1 à la page 8 pour la pièce de rechange).

Voir le tableau 8 pour les indications d'état du voyant lumineux bleu « Sous tension ». Voir le tableau 9 pour les pièces de rechange du voyant lumineux bleu « Sous tension ».

Tableau 8 : Indications d'état du voyant lumineux bleu « Sous tension »

	État du démarreur TeSys U : Sous tension		État du démarreur TeSys U : Hors tension		État du démarreur TeSys U : Déclenché	
	Fonctionnement normal	Service requis	Fonctionnement normal	Service requis	Fonctionnement normal	Service requis
La manette externe de la commande TeSys N est à la position d'arrêt (OFF)	N/A	Le voyant lumineux « Sous tension » est allumé	Le voyant lumineux « Sous tension » est éteint	Le voyant lumineux « Sous tension » est allumé	Le voyant lumineux « Sous tension » est éteint	Le voyant lumineux « Sous tension » est allumé

Tableau 9 : Pièces de rechange pour le voyant lumineux bleu « Sous tension »

	Types 1, 12, 3R				Types 4, 4X			
	24 Vca/Vcc	120 Vca	208 Vca	240 Vca	24 Vca/Vcc	120 Vca	208 Vca	240 Vca
Module lumineux	9001KP35LLL31	9001KP1LLL31	9001KP3LLL31	9001KP7LLL31	9001SKP35LLL31	9001SKP1LLL31	9001SKP3LLL31	9001SKP7LLL31
Ampoule DÉL bleue								
Capuchon de couleur bleue								
Plaque à légende « Sous tension »	9001KN238Y3				9001KN238BP			

Commande de moteur combinée auto-protégée TeSys^{MC} N
Directives d'utilisation

ENGLISH

ESPAÑOL

FRANÇAIS

Seul un personnel qualifié doit effectuer l'installation, l'utilisation, l'entretien et la maintenance du matériel électrique. Schneider Electric n'assume aucune responsabilité des conséquences éventuelles découlant de l'utilisation de cette documentation.

© 2013–2014 Schneider Electric Tous droits réservés
Modbus, Phaseo, Schneider Electric et TeSys sont des marques commerciales de Schneider Electric Industries SAS ou de ses compagnies affiliées. Toutes les autres marques commerciales utilisées dans ce document sont la propriété de leurs propriétaires respectifs.

HRB85599 Rév. 02, 02/2014
Remplace HRB85599 Rév. 01, 11/2013

Schneider Electric Canada, Inc.

5985 McLaughlin Road
Mississauga, ON L5R 1B8 Canada
Tel: 1-800-565-6699
www.schneider-electric.ca