

Altistart 48[®]

Soft Start Units in Motor Control Centers

1–600 hp, 600 V; 1–500 hp, 480 V;
1–250 hp, 240 V; or 1–200 hp 208 V



Altistart 48[®]

Unidades de arranque suave en los centros de control de motores

1–600 hp, 600 V; 1–500 hp, 480 V;
1–250 hp, 240 V; o 1–200 hp 208 V

Altistart 48[®]

Unités de démarrage progressif dans centres de commande de moteurs

1 à 600 HP, 600 V; 1 à 500 HP, 480 V;
1 à 250 HP, 240 V; ou 1 à 200 HP 208 V

Class / Clase / Classe 8998

Instruction Bulletin
Boletín de instrucciones
Directives d'utilisation

Retain for Future Use. / Conservar para
uso futuro. / À conserver pour usage
ultérieur.



Altistart[®] 48

Soft Start Units in Motor Control Centers
1–600 hp, 600 V; 1–500 hp, 480 V;
1–250 hp, 240 V; or 1–200 hp 208 V
Class 8998

Instruction Bulletin
Retain for future use.



HAZARD CATEGORIES AND SPECIAL SYMBOLS



Read these instructions carefully and look at the equipment to become familiar with the device before trying to install, operate, service or maintain it. The following special messages may appear throughout this bulletin or on the equipment to warn of potential hazards or to call attention to information that clarifies or simplifies a procedure.

The addition of either symbol to a “Danger” or “Warning” safety label indicates that an electrical hazard exists which will result in personal injury if the instructions are not followed.



This is the safety alert symbol. It is used to alert you to potential personal injury hazards. Obey all safety messages that follow this symbol to avoid possible injury or death.

DANGER

DANGER indicates an imminently hazardous situation which, if not avoided, **will result in** death or serious injury.

WARNING

WARNING indicates a potentially hazardous situation which, if not avoided, **can result in** death or serious injury.

CAUTION

CAUTION indicates a potentially hazardous situation which, if not avoided, **can result in** minor or moderate injury.

CAUTION

CAUTION, used without the safety alert symbol, indicates a potentially hazardous situation which, if not avoided, **can result in** property damage.



Provides additional information to clarify or simplify a procedure.



Signals a reference to another document or section.

PLEASE NOTE

Electrical equipment should be installed, operated, serviced, and maintained only by qualified personnel. No responsibility is assumed by Schneider Electric for any consequences arising out of the use of this material.



“Minimum Start-Up Procedure” is on page 17.

TABLE OF CONTENTS

Section 1—Introduction	5
Exceptions to Installation Guide 30072-450-61	5
Standard Features	6
MCC Factory Modification Descriptions	6
Section 2—Safety Precautions	8
Section 3—Receiving, Handling, and Storing	9
Section 4—Installation	10
Unit Identification	10
Control Wiring	11
Load Wiring	14
Adaptation to Line Input.....	14
Section 5—Operation	15
Circuit Diagrams	15
Integrated Full Voltage Bypass Starter	15
Factory Settings	16
Minimum Start-Up Procedure	17
Nominal Motor Current (In).....	17
Motor Overload Relay Units with Integrated Full Voltage Bypass Starter.....	18
Section 6—Maintenance	19
Power Fuse Recommendation	19

LIST OF FIGURES

Figure 1:	Proper Lifting Points for Plug-On Units	9
Figure 2:	NOT a Recommended Lifting Point for Units Taller Than 24 in. (610 mm)	9
Figure 3:	MCC Unit Identification Label	10
Figure 4:	Pull-Apart Field Terminal Block	11
Figure 5:	Location of FTB Terminal Block, Typical for Plug-In Style MCC Altistart® 48 Units	12
Figure 6:	Location of Field Terminal Block (FTB), Typical for Full Section MCC Altistart® 48 Units	13

LIST OF TABLES

Table 1:	MCC Altistart 48 Unit Power Options	6
Table 2:	Altistart® Unit Control Circuit Variations.....	7
Table 3:	Altistart Unit Control Variations	7
Table 4:	Factory Configuration	16
Table 5:	Nominal Motor Current Factory Settings	17
Table 6:	MCC Altistart 48 Soft Start Controller Unit Overload Relay Selection for Units with an Integrated Full Voltage Bypass Starter using IEC Contactors (without NEMA Contactors).....	18
Table 7:	Power Fuse Selection for MCC Altistart 48 with Fusible Switch Disconnect	19

SECTION 1—INTRODUCTION

This instruction bulletin provides supplementary installation and maintenance information for Square D® Altistart® 48 soft start controllers in Square D Class 8998 motor control centers (MCCs). Several features of the MCC Altistart 48 soft start controller units require the instructions contained in this document in addition to instructions for standard MCC units.

Reference documents shipped with Altistart 48 soft start controllers and Class 8998 motor control centers include:

- Model 6 Motor Control Centers instruction bulletin (80459-641-01_). This bulletin is referred to herein as the “MCC instruction bulletin.”
- Altistart 48 Y-Range Soft Start Controllers installation guide (30072-450-61). This bulletin is referred to herein as the “Altistart 48 Installation Guide.”
- Drawings specific to the order.



This equipment is shipped with the appropriate instructional literature. To replace missing documents, contact your local field sales representative.

References in this bulletin regarding additional information found in other literature may be obtained at www.us.SquareD.com.

The information provided in this bulletin should be read in addition to all other documents shipped with the MCC. Certain information contained herein supersedes information provided in the Altistart 48 Installation Guide. Superseded information is specifically noted in the “Exceptions to Installation Guide 30072-450-61” section below.

NOTE: In this instruction bulletin, the MCC Altistart 48 soft start controller unit is referred to as the “MCC Altistart 48 unit.” The Altistart 48 soft start controller itself is referred to as the “soft start” or “ATS48.”

Exceptions to Installation Guide 30072-450-61

When referencing the Altistart 48 Installation Guide for Class 8998 MCC Altistart 48 units, note the following:

- The section “Minimum Start-Up Procedure” on page 17 of this bulletin supersedes the section “Quick Start Procedures” in document no. 30072-450-61.
- “Section 3—Receiving, Handling, and Storing” on page 9 of this bulletin supersedes the “Receiving and Handling” section in document no. 30072-450-61.
- The “Mounting” section in document no. 30072-450-61 is not applicable to the Class 8998 MCC Altistart 48 unit. Refer to the Model 6 MCC instruction bulletin (document no. 80459-641-01_) for installing the unit.
- The recommended components listed in Appendix B in document no. 30072-450-61 apply to open ATS48 soft starts only. Refer to the section “Power Fuse Recommendation” on page 19 of this bulletin for actual components used with Class 8998 MCC Altistart 48 units.
- The recommended overcurrent protection devices (OCPDs) listed in the Short Circuit Protection Device (Type 1 Coordination) table in document no. 30072-450-61 apply to open ATS48 soft starts only. Refer to the section “Power Fuse Recommendation” on page 19 of this bulletin for actual components used with Class 8998 MCC Altistart 48 units.

- The dimensions and weights listed the tables ATS48D17Y–C66Y Dimensions and ATS48C79Y–M12Y Dimensions in document no. 30072-450-61 apply to open ATS48 soft starts only. Refer to the front elevation drawings supplied with the MCC order for overall MCC weights.
- The “Recommended Wiring Diagrams” in Appendix A in document no. 30072-450-61 are provided as recommendations that apply to open ATS48 soft starts and do not necessarily apply to Class 8998 MCC Altistart® 48 units. Refer to the wiring diagram shipped with the MCC for the exact wiring incorporated in the MCC.

Standard Features

The MCC Altistart 48 soft start controller unit provides a pre-engineered motor control center package with a disconnect and starter for soft starting standard, three-phase, asynchronous, and induction motors.

Each package contains:

- Current-limiting short-circuit provisions to achieve the unit's short-circuit current rating
- Customer terminal blocks for 120 V control connections
- Disconnect (circuit breaker or fused switch) with external handle
- Door mounted keypad display for diagnostics and set up of the soft start
- Shorting contactor which bypasses the soft start when full voltage level is reached upon starting
- Various control and power contactor options may be included in the package; order-specific drawings will list all included options
- Load terminals (T1/T2/T3) for motor connections on the soft start
- Solid state overload protection built in to the soft start



Refer to the Altistart 48 Installation Guide for applying and adjusting the soft start for a particular installation.

MCC Factory Modification Descriptions

The optional MCC factory modification descriptions for the Class 8998 MCC Altistart 48 soft start units are shown below. The modifications applicable to your unit are printed on the Unit Information Sheet of the drawing package shipped with each MCC.

Table 1: MCC Altistart 48 Unit Power Options

Option	Description
Integrated Full Voltage Bypass Starter	Includes input isolation contactor. As an option, MCC Altistart 48 units can include a full voltage bypass to allow emergency full voltage starting of the motor in case the soft start is unable to be used. This feature includes necessary control and power circuitry to start the motor with full voltage using a Normal/Off/Bypass selector switch. A Class 20 overload relay is provided to protect the motor in the bypass mode. The bypass contactor also acts as a shorting contactor in the soft start mode. Not available with reversing capability.
Substitute NEMA Contactors	Replaces the standard IEC rated contactors with NEMA rated contactors. Not available with reversing capability.

Table 1: MCC Altistart 48 Unit Power Options (continued)

Option	Description
Reversing Capability	Includes input isolation contactor. Not available with NEMA contactors or full voltage bypass.
Input Isolation Contactor	Replaces the standard shunt trip disconnect. This is a standard feature if integrated full voltage bypass starter or reversing capability is chosen. As an option, MCC Altistart 48 units can include an input contactor to isolate the soft start in case of a fault condition instead of a shunt trip disconnect. The input contactor also opens when the motor is not in use. This provides protection from voltage transients when the electronics are most susceptible to damage. Control power is maintained after the input contactor is opened so fault diagnostics are available.

Table 2: Altistart® Unit Control Circuit Variations

Description
Unfused, separate 120 V control circuit with control power disconnect
Fused, separate 120 V control circuit with control power disconnect
Operating mechanism interlock
Fused control power transformer

Table 3: Altistart Unit Control Variations

Description
1.5–30 sec. start delay
Unwired 3 N.O./2 N.C. D line relay
Unwired 3 N.O./2 N.C. D line relay; 1 N.O./1 N.C. 10–180 sec. on delay timer
Unwired 3 N.O./2 N.C. D line relay; 1 N.O./1 N.C. 10–180 sec. off delay timer
Pilot Lights
On pilot light (Red)
Off pilot light (Green)
Power On pilot light (Blue)
Fault pilot light (Yellow)
On pilot light (Green)
Off pilot light (Red)
Special Function pilot light (Red)
Special Function pilot light (Green)
LED Pilot Lights
On pilot light (Red)
Off pilot light (Green)
Fault pilot light (Yellow)
On pilot light (Green)
Off pilot light (Red)
Special Function pilot light (Red)
Special Function pilot light (Green)
Push-To-Test Pilot Lights
On pilot light (Red)
Off pilot light (Green)
Fault pilot light (Yellow)
On pilot light (Green)
Off pilot light (Red)
Special Function pilot light (Red)
Special Function pilot light (Green)

Table 3: Altistart Unit Control Variations (continued)

Description
LED Push-To-Test Pilot Lights
On pilot light (Red)
Off pilot light (Green)
Fault pilot light (Yellow)
On pilot light (Green)
Off pilot light (Red)
Special Function pilot light (Red)
Special Function pilot light (Green)
Pilot Devices
Start/Stop push buttons
Hand/Off/Auto selector switch
Forward/Off/Reverse selector switch
Stop/Run selector switch
Hand/Auto selector switch and Start/Stop push buttons
Emergency Off push button, maintained contact
Current meter: analog, 2.5 in. panel type, 0–200% of nominal motor current
Elapsed time meter
Substitute Type K
Auxiliary Electrical Interlocks
Run contacts, 1 Form C, 5A @ 120 Vac
Bypass run contacts, 1 Form C, 5A @ 120 Vac; requires integrated full voltage bypass starter
Auto Mode contacts, 1 Form C, 5A @ 120 Vac; requires Auto switch (Form C or C09)
Fault contacts, 1 Form C, 5A @ 120 Vac

SECTION 2—SAFETY PRECAUTIONS

This section contains important safety precautions that must be followed before attempting to install, service, or maintain electrical equipment. Carefully read and follow the safety precautions outlined below.

⚠ DANGER

HAZARD OF ELECTRIC SHOCK, EXPLOSION, OR ARC FLASH

- Apply appropriate personal protective equipment (PPE) and follow safe electrical work practices. See NFPA 70E.
- This equipment must be installed and serviced only by qualified electrical personnel.
- Turn off all power supplying this equipment before working on or inside equipment.
- Always use a properly rated voltage sensing device to confirm that all power is off.
- Replace all devices, doors, and covers before turning on the power to this equipment.

Failure to follow these instructions will result in death or serious injury.

NOTE: All personnel involved in handling, installing, testing, operating, and maintaining should be thoroughly familiar with the information in this instruction manual. Reference the documents listed on page 5 of this bulletin before working on this equipment. Personnel must have a thorough understanding of electrical equipment in general, the specific operation of this particular equipment, and the degree of severity of potential injury.

SECTION 3—RECEIVING, HANDLING, AND STORING

Observe the following precautions for MCC Altistart® 48 units shipped to the site as a plug-on unit:

- Lifting plug-on units larger than 24 in. (610 mm) require two or more persons using special handling precautions and lifting devices.
- If lifting devices are used, refer to Figure 1 for proper lifting points. (Figure 2 shows a lifting point that is NOT recommended for larger units or when using lifting devices.)

Refer to the Model 6 MCC instruction bulletin for information about receiving, handling, and storing of any MCC units and enclosures.

Before installing any MCC control units, locate and retighten or retorquing any connections that may have loosened during shipment and handling. Refer to the procedures in the "Maintenance" section of the Model 6 MCC instruction bulletin.

Figure 1: Proper Lifting Points for Plug-On Units

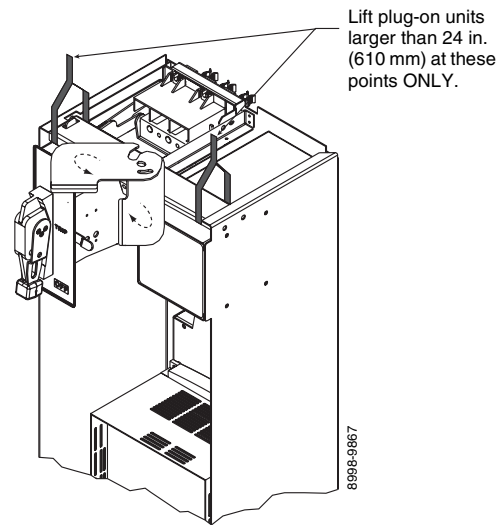
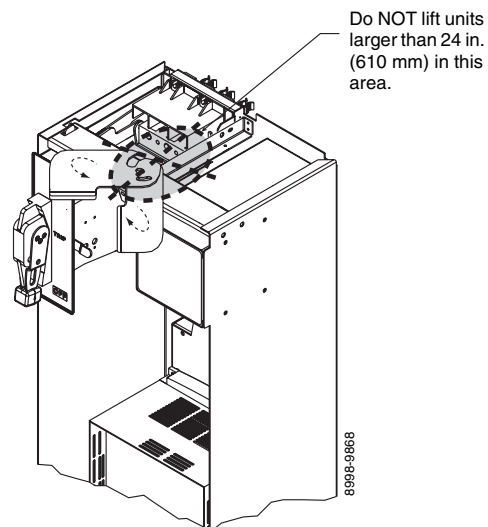


Figure 2: NOT a Recommended Lifting Point for Units Taller Than 24 in. (610 mm)



SECTION 4—INSTALLATION

⚠ DANGER

HAZARD OF ELECTRIC SHOCK, EXPLOSION, OR ARC FLASH

- Apply appropriate personal protective equipment (PPE) and follow safe electrical work practices. See NFPA 70E.
- This equipment must be installed and serviced only by qualified electrical personnel.
- Turn off all power supplying this equipment before working on or inside equipment.
- Always use a properly rated voltage sensing device to confirm that all power is off.
- Replace all devices, doors, and covers before turning on the power to this equipment.

Failure to follow these instructions will result in death or serious injury.

This bulletin contains details specific to installation of MCC Altistart® 48 units.



Reference Model 6 Motor Control Centers instruction bulletin (80459-641-01_) along with the installation instructions in this section.

Unit Identification

The unit identification label (shown in Figure 3) is located on the inside wall of the MCC Altistart 48 unit. The unit identification label contains the factory order number (F.O. NO.) and the unit voltage rating (VOLTS). In addition, each soft start has a bar code label located on its front, right-hand side. The bar code label contains the model number for the soft start device (for example, ATS48D75Y).

Figure 3: MCC Unit Identification Label

	F.O. NO.	12345678-001.001	UNIT LOC	1A
	WIRING DIAGRAM	E12345678-001-04-1		
	3 HP	VOLTS	480 AC	PHASE
	AMPS		PLANT	46
			ASSEMBLER	
FOR DISCONNECT ASSY. AND THERMAL NOS. SEE INSTALLATION AND MAINTENANCE MANUAL				
				80438-001-02 MADE IN USA 8996-9869



Note the information on the unit identification label while reading this bulletin to determine which items are applicable to the installation. This information is also necessary when communicating with the factory.

Control Wiring

⚠ DANGER

HAZARD OF ELECTRIC SHOCK, EXPLOSION, OR ARC FLASH

- Apply appropriate personal protective equipment (PPE) and follow safe electrical work practices. See NFPA 70E.
- This equipment must be installed and serviced only by qualified electrical personnel.
- Turn off all power supplying this equipment before working on or inside equipment.
- Always use a properly rated voltage sensing device to confirm that all power is off.
- Replace all devices, doors, and covers before turning on the power to this equipment.

Failure to follow these instructions will result in death or serious injury.

MCC Altistart® 48 units include a field terminal block (FTB) (see Figure 4) for the necessary control command inputs from the customer and some auxiliary contacts. The FTB is a pull-apart terminal block typically located on the floor of the plug-on style units or on the back panel of the full section units (see Figures 5 and 6 on pages 12 and 13).

Terminate field control wiring to the removable (top) portion of the terminal block. To separate or remove the top portion of the terminal block from the base, grasp the top half and pull up (see Figure 4).

The field terminal block is designated “FTB” in the figures in this bulletin and on the wiring diagrams shipped with the MCC.

Each terminal is rated for one 16–12 AWG wire or two 16 AWG wires. Torque the terminal screws to 5 lb-in (0.6 N•m).



Depending on the power and control options ordered, several analog or digital inputs and outputs may be available at the control terminal blocks located on the Altistart 48 soft start. For I/O availability, refer to the wiring diagram supplied with the MCC Altistart 48 unit. For I/O specifications and adjustments, refer to the Altistart 48 Installation Guide.

Figure 4: Pull-Apart Field Terminal Block

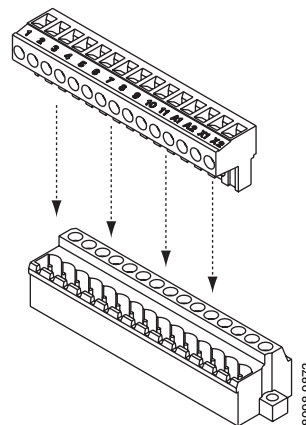


Figure 5: Location of FTB Terminal Block, Typical for Plug-In Style MCC Altistart® 48 Units

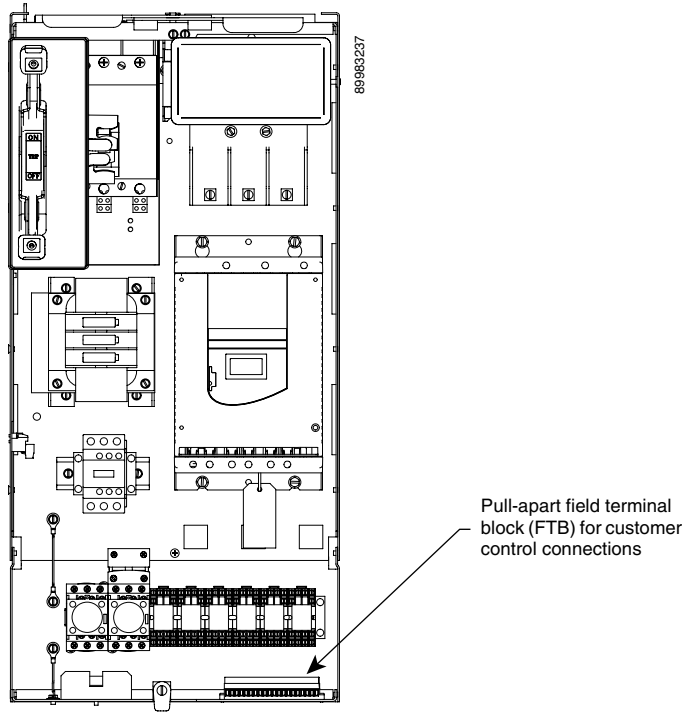
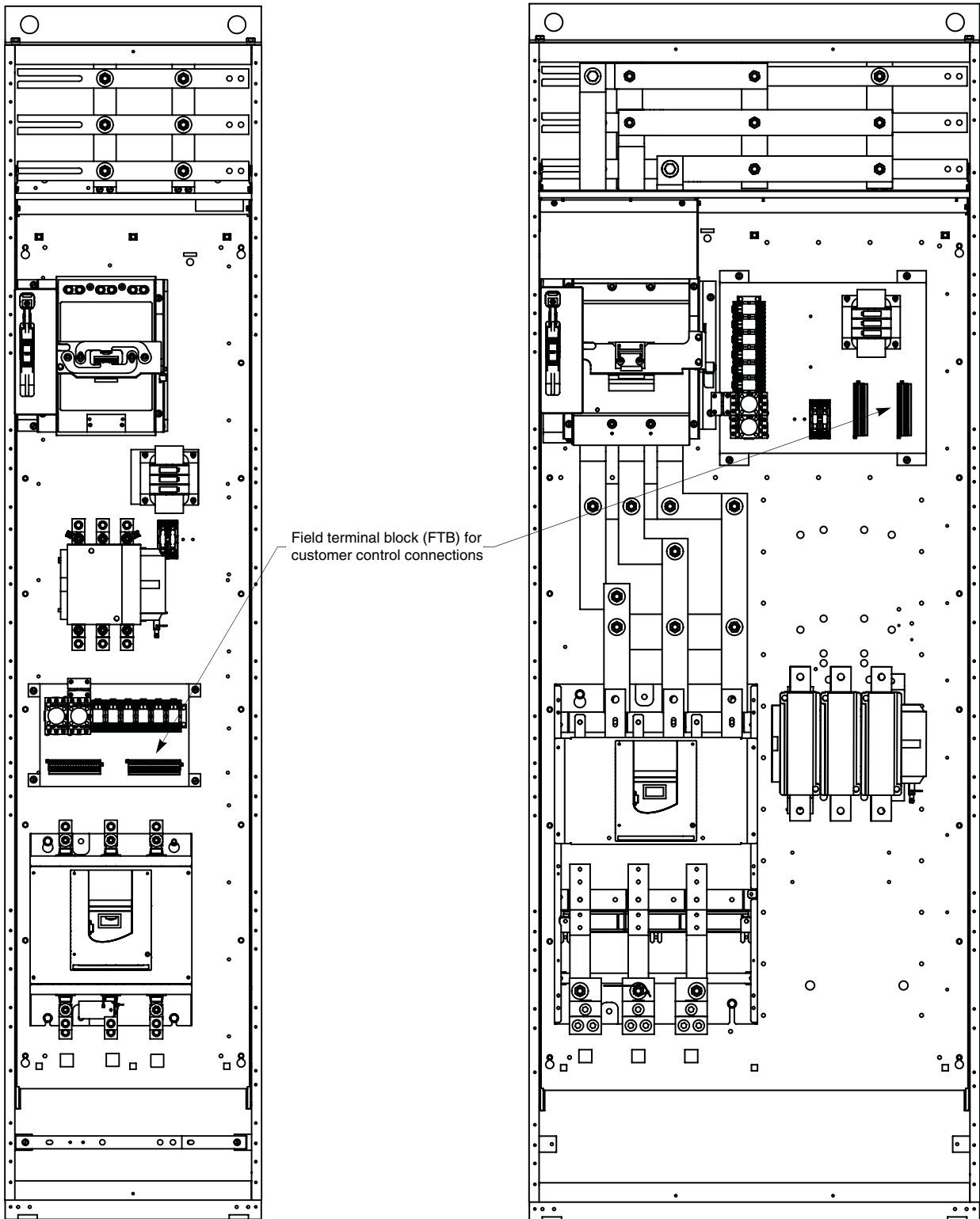


Figure 6: Location of Field Terminal Block (FTB), Typical for Full Section MCC Altistart® 48 Units



ENGLISH

Load Wiring

⚠ DANGER

HAZARD OF ELECTRIC SHOCK, EXPLOSION, OR ARC FLASH

- Apply appropriate personal protective equipment (PPE) and follow safe electrical work practices. See NFPA 70E.
- This equipment must be installed and serviced only by qualified electrical personnel.
- Turn off all power supplying this equipment before working on or inside equipment.
- Always use a properly rated voltage sensing device to confirm that all power is off.
- Replace all devices, doors, and covers before turning on the power to this equipment.

Failure to follow these instructions will result in death or serious injury.

Load connections to the motor are to be terminated at the ATS48 soft start power terminal block, located on the lower end of the ATS48 soft start (refer to the Altistart® 48 Installation Guide for location). The load terminals are designated T1, T2, and T3 on the Altistart 48 soft start, MCC Altistart 48 unit wiring diagrams, and in the Altistart 48 Installation Guide. Refer to the torque label located adjacent to the load terminals for load terminal wire and torque requirements.

Adaptation to Line Input



This paragraph replaces the information under “Adaptation To Line Input” explained on page 24 of the Altistart 48 Installation Guide.

Each MCC Altistart 48 unit has been factory configured for a particular line voltage as specified with the equipment order. The available ratings are 208 Vac, 240 Vac, 480 Vac, and 600 Vac @ 60Hz. The factory configured voltage rating is listed on the unit identification label. Consult the factory if the equipment requires modification from this voltage rating.

SECTION 5—OPERATION

⚠ WARNING

UNINTENDED EQUIPMENT OPERATION

- Read and understand the Altistart 48 Y-Range Soft Start Controllers Installation Guide (30072-450-61) before using the keypad display. Parameter changes affect drive controller operation. Most parameter changes require pressing ENT.
- Lock the keypad after making parameter adjustments.
- Do not reset soft start parameters to configurations other than those specified on the wiring diagrams supplied with the MCC Altistart 48 unit. Some factory-set drive parameters are critical for MCC Altistart 48 unit power and control configurations.
- Do not alter the programming of factory-installed control devices or power contactors.

Failure to follow these instructions can result in death or serious injury.



Before operating the Altistart 48 unit, perform the procedures listed in “Factory Settings” on page 16.

For complete information regarding MCC Altistart® 48 Soft Start Controller unit operation, refer to the Altistart 48 Installation Guide and any drawings supplied with the unit.

Circuit Diagrams

The MCC Altistart 48 unit is an integrated package that may have different control diagrams and components from those listed in the MCC Altistart 48 Installation Guide. The sections “Control Circuit Diagrams” and “Recommended Components List” provided in the MCC Altistart 48 Installation Guide are superseded by the MCC documents provided with the MCC Altistart 48 units. Circuit diagrams specific to MCC Altistart 48 units are shipped with each unit.

Integrated Full Voltage Bypass Starter

As an option, MCC Altistart 48 units may include a full voltage bypass starter which provides the ability to bypass the soft start and run the motor using an across-the-line, full-voltage starting method. This mode of operation can be used for conditions where the Altistart 48 soft start controller is out of service due to protective fault and the process needs to run until a convenient shutdown is possible. The electrical and mechanical systems should be reviewed for compatibility with a full-voltage starting method before using the bypass mode. The circuit includes a Normal/Off/Bypass selector switch mounted on the unit door, control logic, and a separate overload.

The bypass contactor is controlled by the Normal/Off/Bypass selector switch. In the “Normal” position, the soft start controls the motor. The bypass contactor also functions as a shorting contactor and will close when the soft starting cycle is complete and open when a stop command is given. The motor overload protection is provided via the solid state overload built into the Altistart 48 soft start controller.

In the bypass position, the input contactor and bypass contactor will be directly opened and closed via the customer start-stop logic. The soft start is not controlling the motor in bypass mode. A separate ambient temperature-compensated bimetallic overload is used to provide motor overload protection.

Factory Settings

The Altistart 48 soft start controller is factory preset so that, for many applications, it can be operated without adjustment. The factory settings are based on information provided with the equipment order.

The Altistart 48 soft start controller is software driven and has been pre-programmed to match the power and control options purchased with the MCC Altistart 48 unit.



Do not change any “MCC Factory Altistart 48 parameter settings” if any are indicated on the wiring diagram(s) supplied with the MCC drive controller unit. Several settings are critical to the unit power and control configurations.

For information regarding MCC factory settings, refer to the parameter notes on the wiring diagram of the unit, which is in the “Installation/Maintenance” packet included with your shipment.

Before powering up the unit for the first time, compare the motor nameplate current rating with the output current in the appropriate tables (based on the horsepower and voltage rating) in the “Technical Characteristics” section of the Altistart® 48 Installation Guide. If the motor nameplate current rating is not within 40 to 100% of the value in the table, a different soft start controller must be used.

Table 4: Factory Configuration

Nominal motor current (I_n)	preset to correspond to 460 V rated motor current based on NFPA 70/NEC Table 430.150 ratings
Current Limit (ILt)	400% of the motor current I_n
Acceleration ramp (ACC)	15 seconds
Initial torque on starting (tq0)	20% of the nominal torque
Stop (StY)	Freewheel stop (-F-)
Motor thermal protection (tHP)	Class 10 thermal overload protection curve
Display	rdY (soft start ready) when power and control voltage are present and the motor is operating.
Logic inputs	<ul style="list-style-type: none"> • LI1 • LI2 • LI3 • LI4
	<ul style="list-style-type: none"> • STOP • RUN • Forced freewheel stop (LIA) • Forced local mode (LIL)
Logic outputs	
<ul style="list-style-type: none"> • LO1 • LO2 	<ul style="list-style-type: none"> • Motor thermal alarm (tA1) • Motor powered (rnl)
Relay outputs	
<ul style="list-style-type: none"> • R1 • R2 • R3 	<ul style="list-style-type: none"> • Fault relay (r1F) • Bypass relay at the end of starting • Motor powered (rnl)
Analog output (AO)	Motor current (OCr, 0–20 mA)
Communication parameters	<ul style="list-style-type: none"> • When connected via the serial link, the soft start has a logic address (Add) of 0 • Transmission speed (tbr): 19200 bits per second • Communication format (FOr): 8 bits, no parity, 1 stop bit (8nl)

Minimum Start-Up Procedure

Several parameters in the three menu levels of the soft start can be set to customize the soft start for the application.

The following key items should be checked and adjusted, if necessary, before motor operation:

- Nominal Motor Current (I_n) parameter (adjustable via the keypad)
- The bimetallic motor overload relay (if a full voltage bypass starter) is provided

The Nominal Motor Current parameter can be adjusted via the keypad along with all programmable Altistart 48 parameters. An access switch on the back of the keypad provides three levels of access to the parameters. The switch can be set to prevent adjustment of the parameters. (This is the default setting when shipped from the factory, that is, the parameters are locked at the factory to prevent accidental modification.)

To adjust parameters, follow the steps below.

1. Turn off the MCC Altistart 48 unit by moving the unit's disconnect switch to the OFF position.
2. Turn off all power supplying this equipment and follow lockout/tagout procedures before working on or inside equipment. Always use a properly rated voltage sensing device to confirm the power is off.
3. Open the MCC Altistart 48 unit door and locate the access switch.



The keypad does not have to be removed to adjust the parameters within the Altistart® 48 soft start.

Refer to the “Remote Keypad Display” section on pages 19–20 of the Altistart 48 Installation Guide.

Nominal Motor Current (I_n)

The factory presets for the nominal motor current, I_n , are listed in Table 5 below. If the motor full load amp rating is not within 95 and 105% of the Altistart 48 soft start controller factory preset value, or if using a 1.0 service factor motor, the controller should be adjusted for optimal motor protection and performance.

Solid state thermal overload protection is a standard function provided by the Altistart 48 soft start controller. For continuous-rated motors having service factors of 1.0 to 1.25, set I_n using 100% of full-load current shown on the motor's nameplate. Refer to “Motor Protection and Diagnostics” on pages 33–35 of the Altistart 48 Installation Guide for overload protection details.

Table 5: Nominal Motor Current Factory Settings

Altistart 48 Model	Nominal Motor Current (I_n) Factory Setting
ATS48D17Y	14
ATS48D22Y	21
ATS48D32Y	27
ATS48D38Y	34
ATS48D47Y	40
ATS48D62Y	52
ATS48D75Y	65
ATS48D88Y	77
ATS48C11Y	96
ATS48C14Y	124
ATS48C17Y	156

Table 5: Nominal Motor Current Factory Settings (continued)

Altistart 48 Model	Nominal Motor Current (I_n) Factory Setting
ATS48C21Y	180
ATS48C25Y	240
ATS48C32Y	302
ATS48C41Y	361
ATS48C48Y	414
ATS48C59Y	477
ATS48C66Y	590

Motor Overload Relay Units with Integrated Full Voltage Bypass Starter

A supplemental overload relay is used in conjunction with the solid state controller; refer to overload relay selection in Table 6 on page 18. The supplemental motor overload relay provided with the unit is a Class 20 ambient temperature-compensated bimetallic overload relay. The overload relay should be checked to verify the current setting is correct per actual motor full load amperes. Turn off all power supplying this equipment and follow lockout/tagout procedures before working on or inside equipment. Always use a properly rated voltage sensing device to confirm the power is off. All adjustable overload relays are factory set for the minimum trip setting.

Table 6 lists the motor overload relay part numbers provided with each MCC Altistart® 48 soft start controller unit when the integrated full voltage bypass starter option is supplied.

Table 6: MCC Altistart 48 Soft Start Controller Unit Overload Relay Selection for Units with an Integrated Full Voltage Bypass Starter using IEC Contactors (without NEMA Contactors)¹

Full Load Current in Amps	Overload Relay Cat. No.
9–13	LRD1516
12–18	LRD1521
17–25	LRD1522
25–32	LRD1532
30–40	LR2D3555
37–50	LR2D3557
48–65	LR2D3559
55–70	LR2D3561
63–80	LR2D3563
60–100	LR9F5567
90–150	LR9F5569
132–220	LR9F5571
200–330	LR9F7575
300–500	LR9F7579
380–630	LR9F7581

¹ Units with NEMA contactors and integrated full voltage bypass starter include Class 8536 ambient-compensated bi-metallic overload relays which require thermal units.

SECTION 6—MAINTENANCE

⚠ DANGER

HAZARD OF ELECTRIC SHOCK, EXPLOSION, OR ARC FLASH

- Apply appropriate personal protective equipment (PPE) and follow safe electrical work practices. See NFPA 70E.
- This equipment must be installed and serviced only by qualified electrical personnel.
- Turn off all power supplying this equipment before working on or inside equipment.
- Always use a properly rated voltage sensing device to confirm that all power is off.
- Replace all devices, doors, and covers before turning on the power to this equipment.

Failure to follow these instructions will result in death or serious injury.

Power Fuse Recommendation

The MCC Altistart 48 units are provided with either a thermal magnetic circuit breaker or a fused visible blade automatic molded case switch disconnect.

Units supplied with fusible switch disconnects require the user to supply and install the power fuses. Turn off all power supplying this equipment and follow lockout/tagout procedures before working on or inside equipment. Always use a properly rated voltage sensing device to confirm the power is off. Fuses can be selected from Table 7 below. All of the provisions for mounting fuses in MCC Altistart® 48 units accept UL Class J or L fuses, depending on the full load current rating.



Table 7 supersedes fuse recommendations and references to fuse type and size listed in Tables 8 and 33 of the Altistart 48 Installation Guide.

Table 7: Power Fuse Selection for MCC Altistart 48 with Fusible Switch Disconnect

Unit Horsepower at:				Square D Replacement		Altistart 48	
208 V	240 V	480 V	600 V	Power Fuse Class/Rating	Power Fuse Part Number	Fuse Manufacturer and Part Number	Soft Start Catalog Number
3	-	-	-	J/20A	25423-30200	Bussman® LPJ-20	ATS48D17Y
				J/20A	25423-20200	Littelfuse® JTD-20	
				J/20A		Shawmut ATJ-20	
-	5	10	-	J/25A	25423-30250	Bussman LPJ-25	
				J/25A	25423-20250	Littelfuse JTD-25	
				J/25A		Shawmut ATJ-25	
-	-	-	15	J/30A	25423-30300	Bussman LPJ-30	
				J/30A	25423-20300	Littelfuse JTD-30	
				J/30A		Shawmut ATJ-30	
5	-	-	-	J/30A	25423-30300	Bussman LPJ-30	ATS48D22Y
				J/30A	25423-20300	Littelfuse JTD-30	
				J/30A		Shawmut ATJ-30	
-	-	15	-	J/35A	25423-30350	Bussman LPJ-35	
				J/35A		Littelfuse JTD-35	
				J/35A		Shawmut ATJ-35	
-	7.5	-	20	J/40A	25423-30400	Bussman LPJ-40	
				J/40A	25423-20400	Littelfuse JTD-40	
				J/40A		Shawmut ATJ-40	

Table 7: Power Fuse Selection for MCC Altistart 48 with Fusible Switch Disconnect (continued)

Unit Horsepower at:				Square D Replacement		Altistart 48		
208 V	240 V	480 V	600 V	Power Fuse Class/Rating	Power Fuse Part Number	Fuse Manufacturer and Part Number	Soft Start Catalog Number	
7.5	-	20	25	J/45A	25423-30450	Bussman LPJ-45	ATS48D32Y	
				J/45A		Littelfuse JTD-45		
				J/45A		Shawmut ATJ-45		
-	10	-	-	J/50A	25423-30500	Bussman LPJ-50		
				J/50A	25423-20500	Littelfuse JTD-50		
				J/50A		Shawmut ATJ-50		
10	-	-	-	J/50A	25423-30500	Bussman LPJ-50	ATS48D38Y	
				J/50A	25423-20500	Littelfuse JTD-50		
				J/50A		Shawmut ATJ-50		
-	-	25	30	J/60A	25423-30600	Bussman LPJ-60		
				J/60A	25423-20600	Littelfuse JTD-60		
				J/60A		Shawmut ATJ-60		
-	15	30	40	J/70A	25423-30700	Bussman LPJ-70	ATS48D47Y	
				J/70A	25423-20700	Littelfuse JTD-70		
				J/70A		Shawmut ATJ-70		
15	-	-	-	J/80A	25423-30800	Bussman LPJ-80		ATS48D62Y
				J/80A	25423-20800	Littelfuse JTD-80		
				J/80A		Shawmut ATJ-80		
-	20	40	50	J/90A	25423-30900	Bussman LPJ-80		
				J/90A	25423-20900	Littelfuse JTD-80		
				J/90A		Shawmut ATJ-80		
20	-	-	-	J/100A	25423-31000	Bussman LPJ-100	ATS48D75Y	
				J/100A	25423-21000	Littelfuse JTD-100		
				J/100A		Shawmut ATJ-100		
-	-	50	60	J/110A	25423-31100	Bussman LPJ-110		
				J/110A	25423-21100	Littelfuse JTD-110		
				J/110A		Shawmut ATJ-110		
-	25	-	-	J/125A	25423-31250	Bussman LPJ-125		
				J/125A	25423-21250	Littelfuse JTD-125		
				J/125A		Shawmut ATJ-125		
25	-	60	75	J/125A	25423-31250	Bussman LPJ-125	ATS48D88Y	
				J/125A	25423-21250	Littelfuse JTD-125		
				J/125A		Shawmut ATJ-125		
-	30	-	-	J/150A	25423-31500	Bussman LPJ-150		
				J/150A	25423-21500	Littelfuse JTD-150		
				J/150A		Shawmut ATJ-150		
30	-	-	-	J/150A	25423-31500	Bussman LPJ-150	ATS48C11Y	
				J/150A	25423-21500	Littelfuse JTD-150		
				J/150A		Shawmut ATJ-150		
-	40	75	100	J/175A	25423-31750	Bussman LPJ-175		
				J/175A	25423-21750	Littelfuse JTD-175		
				J/175A		Shawmut ATJ-175		
40	-	-	-	J/200A	25423-32000	Bussman LPJ-200	ATS48C14Y	
				J/200A	25423-22000	Littelfuse JTD-200		
				J/200A		Shawmut ATJ-200		
-	50	100	125	J/225A	25423-32250	Bussman LPJ-200		
				J/225A	25423-22250	Littelfuse JTD-200		
				J/225A		Shawmut ATJ-200		

Table 7: Power Fuse Selection for MCC Altistart 48 with Fusible Switch Disconnect (continued)

Unit Horsepower at:				Square D Replacement		Altistart 48	
208 V	240 V	480 V	600 V	Power Fuse Class/Rating	Power Fuse Part Number	Fuse Manufacturer and Part Number	Soft Start Catalog Number
50	60	125	150	J/250A	25423-32500	Bussman LPJ-250	ATS48C17Y
				J/250A	25423-22500	Littelfuse JTD-250	
				J/250A		Shawmut ATJ-250	
60	-	150	-	J/300A	25423-33000	Bussman LPJ-300	ATS48C21Y
				J/300A	25423-23000	Littelfuse JTD-300	
				J/300A		Shawmut ATJ-300	
-	75	-	200	J/350A	25423-33500	Bussman LPJ-350	ATS48C21Y
				J/350A	25423-23500	Littelfuse JTD-350	
				J/350A		Shawmut ATJ-350	
75	-	-	-	J/350A	25423-33500	Bussman LPJ-350	ATS48C25Y
				J/350A	25423-23500	Littelfuse JTD-350	
				J/350A		Shawmut ATJ-350	
-	100	200	250	J/400A	25423-34000	Bussman LPJ-400	ATS48C25Y
				J/400A	25423-24000	Littelfuse JTD-400	
				J/400A		Shawmut ATJ-400	
100	-	-	-	J/450A	25423-34500	Bussman LPJ-450	ATS48C32Y
				J/450A	25423-24500	Littelfuse JTD-450	
				J/450A		Shawmut ATJ-450	
-	125	250	300	J/500A	25423-35000	Bussman LPJ-500	ATS48C32Y
				J/500A	25423-25000	Littelfuse JTD-500	
				J/500A		Shawmut ATJ-500	
125	150	300	350	J/600A	25423-36000	Bussman LPJ-600	ATS48C41Y
				J/600A	25423-26000	Littelfuse JTD-600	
				J/600A		Shawmut ATJ-600	
150	-	350	400	L/700A	25432-10700	Bussman KRP-C-700	ATS48C48Y
				L/700A		Littelfuse KLP-C-700	
				L/700A		Shawmut A4BQ-700	
-	200	400	500	L/800A	25432-10800	Bussman KRP-C-800	ATS48C59Y
				L/800A		Littelfuse KLP-C-800	
				L/800A		Shawmut A4BQ-800	
200	-	-	-	L/900A	25432-10900	Bussman KRP-C-900	ATS48C66Y
				L/900A		Littelfuse KLP-C-900	
				L/900A		Shawmut A4BQ-900	
-	250	500	600	L/1000A	25432-11000	Bussman KRP-C-1000	ATS48C66Y
				L/1000A		Littelfuse KLP-C-1000	
				L/1000A		Shawmut A4BQ-1000	

ENGLISH

ENGLISH

Instruction Bulletin
Altistart® 48 Soft Start Units in MCCs

Schneider Electric

1990 Sandifer Blvd.
Seneca, SC 29678 USA
1-888-SquareD
(1-888-778-2733)
www.SquareD.com

Electrical equipment should be installed, operated, serviced, and maintained only by qualified personnel. No responsibility is assumed by Schneider Electric for any consequences arising out of the use of this material.

80438-069-02B © 2004–2006 Schneider Electric All Rights Reserved
Replaces 80438-069-01A, 02/2004

Altistart[®] 48

Unidades de arranque suave en
centros de control de motores

1–600 hp, 600 V; 1–500 hp, 480 V;
1–250 hp, 240 V; o 1–200 hp 208 V
Clase 8998

Boletín de instrucciones

Conservar para uso futuro.



CATEGORÍAS DE RIESGOS Y SÍMBOLOS ESPECIALES



Asegúrese de leer detenidamente estas instrucciones y realice una inspección visual del equipo para familiarizarse con él antes de instalarlo, hacerlo funcionar o prestarle servicio de mantenimiento. Los siguientes mensajes especiales pueden aparecer en este boletín o en el equipo para advertirle sobre peligros potenciales o llamar su atención sobre cierta información que clarifica o simplifica un procedimiento.

La adición de cualquiera de estos símbolos a una etiqueta de seguridad de “Peligro” o “Advertencia” indica la existencia de un peligro eléctrico que podrá causar lesiones personales si no se observan las instrucciones.

Este es el símbolo de alerta de seguridad. Se usa para avisar sobre peligros potenciales de lesiones personales. Respete todos los mensajes de seguridad con este símbolo para evitar posibles lesiones o la muerte.

PELIGRO

PELIGRO indica una situación de peligro inminente que, si no se evita, **podrá** causar la muerte o lesiones serias.

ADVERTENCIA

ADVERTENCIA indica una situación potencialmente peligrosa que, si no se evita, **puede** causar la muerte o lesiones serias.

PRECAUCIÓN

PRECAUCIÓN indica una situación potencialmente peligrosa que, si no se evita, **puede** causar lesiones menores o moderadas.

PRECAUCIÓN

PRECAUCIÓN cuando se usa sin el símbolo de alerta de seguridad, indica una situación potencialmente peligrosa que, si no se evita, **puede** causar daño a la propiedad.



Proporciona información adicional para clarificar o simplificar un procedimiento.



Referencia para consultar otro documento.

OBSERVE QUE

Solamente el personal especializado deberá instalar, hacer funcionar y prestar servicios de mantenimiento al equipo eléctrico. Schneider Electric no asume responsabilidad alguna por las consecuencias emergentes de la utilización de este material.



El “Procedimiento mínimo de arranque” comienza en la en la página 18.

CONTENIDOYOU

Sección 1—Introducción	5
Excepciones en la guía de instalación 30072-450-61	5
Opciones estándar	6
Descripciones de modificaciones de fábrica del CCM	6
Sección 2—Instrucciones de seguridad	9
Sección 3—Recibo, manejo y almacenamiento	9
Sección 4—Instalación	11
Identificación de la unidad	11
Alambrado de control	12
Alambrado de carga	15
Adaptación a la entrada de línea	15
Sección 5—Funcionamiento	16
Diagramas de circuitos	16
Arrancador de derivación a tensión plena integrado	16
Ajustes de fábrica	17
Procedimiento mínimo de arranque	18
Corriente nominal del motor (In)	18
Unidades de relevador de sobrecarga del motor con arrancador de derivación a tensión plena integrado	19
Sección 6—Servicios de mantenimiento	20
Recomendaciones de fusibles de alimentación	20

LISTA DE FIGURAS

Figura 1:	Puntos de levantamiento apropiados para las unidades enchufables	10
Figura 2:	Este NO es punto de levantamiento recomendado para las unidades grandes de más de 610 mm (24 pulg)	10
Figura 3:	Etiqueta de identificación de la unidad en un CCM	11
Figura 4:	Bloque de terminales de campo desprendible	13
Figura 5:	Ubicación típica del bloque de terminales FTB, en las unidades enchufables Altistart® 48 en un CCM	13
Figura 6:	Ubicación típica del bloque de terminales de campo FTB, en las unidades Altistart® 48 en un CCM con secciones completas	14

LISTA DE TABLAS

Tabla 1:	Opciones de alimentación de la unidad Altistart 48 en un CCM	7
Tabla 2:	Variaciones del circuito de control de la unidad Altistart®	7
Tabla 3:	Variaciones de control de la unidad Altistart	7
Tabla 4:	Configuración de fábrica	17
Tabla 5:	Ajustes de fábrica de la corriente nominal del motor	19
Tabla 6:	Selección de relevador de sobrecarga para la unidad Altistart 48 en un CCM con arrancadores de derivación a tensión plena integrados que emplean contactores IEC solamente	19
Tabla 7:	Selección de fusibles de alimentación para el desconectador seccionador fusible en una unidad Altistart 48 en un CCM	21

SECCIÓN 1—INTRODUCCIÓN

Este boletín de instrucciones proporciona información adicional sobre la instalación y servicios de mantenimiento para los arrancadores suaves Altistart® 48 Square D® en centros de control de motores (CCM) clase 8998 Square D. Tanto las instrucciones contenidas en este documento como las instrucciones incluidas con las unidades estándar del CCM son necesarias para conocer las varias funciones de las unidades de arranque suave Altistart 48 en un CCM.

Los documentos de referencia incluidos con los arrancadores suaves Altistart 48 y los centros de control de motores clase 8998 incluyen:

- Boletín de instrucciones de los centros de control de motores modelo 6 (80459-641-01_). De aquí en adelante se hará referencia a este boletín como el “boletín de instrucciones del CCM”.
- Guía de instalación de los arrancadores suaves Altistart 48 gama Y (30072-450-61). De aquí en adelante se hará referencia a este boletín como la “Guía de instalación Altistart 48”.
- Dibujos específicos del pedido.



Este equipo se envía de fábrica con los documentos de instrucciones apropiados. Si desea reponer algún documento perdido, póngase en contacto con su representante local de ventas.

Las referencias en este boletín con respecto a información adicional en otros documentos puede ser obtenida del sitio web www.us.SquareD.com.

La información provista en este boletín deberá leerse así como los demás documentos adjuntos con el CCM. Cierta información contenida en este documento suplanta aquella provista en la Guía de instalación del Altistart 48. La información suplantada ha sido anotada específicamente en la sección “Excepciones en la guía de instalación 30072-450-61”.

NOTA: En este boletín de instrucciones se hace referencia a la unidad de arranque suave Altistart 48 en un CCM como la “unidad Altistart 48 en un CCM”. Al arrancador suave Altistart 48 mismo se hace referencia como “arrancador suave” o “ATS48”.

Excepciones en la guía de instalación 30072-450-61

Cuando se hace referencia a la Guía de instalación de las unidades Altistart 48 en un CCM clase 8998, observe lo siguiente:

- La información de la sección “Procedimiento mínimo de arranque” en la página 18 de este boletín suplanta aquella detallada en la sección “Procedimientos de arranque rápido” del boletín 30072-450-61.
- La información de la sección “Sección 3—Recibo, manejo y almacenamiento” en la página 9 de este boletín suplanta aquella detallada en la sección “Recibo y manejo” del boletín 30072-450-61.
- La información de la sección “Montaje” en el boletín 30072-450-61 no es aplicable para la unidad Altistart 48 un el CCM clase 8998. Consulte el boletín no. 80459-641-01_ del CCM modelo 6 para obtener instrucciones sobre la instalación de la unidad.
- Los componentes recomendados que figuran en el anexo B en el boletín no. 30072-450-61 se pueden utilizar en los ATS48 abiertos (sin gabinete) solamente. Consulte la sección “Recomendaciones de fusibles de alimentación” en la página 20 de este boletín para obtener información sobre los componentes apropiados que se pueden utilizar con las unidades Altistart 48 en un CCM clase 8998.

- Los dispositivos de protección contra sobrecorrientes (DPCS) que figuran en la tabla de dispositivos de protección contra cortocircuitos (coordinación tipo 1) en el boletín no. 30072-450-61 se pueden utilizar en los ATS48 abiertos (sin gabinete) solamente. Consulte la sección “Recomendaciones de fusibles de alimentación” en la página 20 de este boletín para obtener información sobre los componentes apropiados que se pueden utilizar con las unidades Altistart 48 en un CCM clase 8998.
- Las dimensiones y el peso que figuran en las tablas correspondientes a los ATS48D17Y-C66Y y ATS48C79Y-M12Y en el boletín no. 30072-450-61 se pueden usar en los ATS48 abiertos solamente. Consulte los dibujos de la elevación frontal del CCM provistos con el pedido para obtener el peso total del CCM.
- Los diagramas de alambrado recomendado que figuran en el Anexo A en el boletín no. 30072-450-61 son únicamente recomendaciones aplicables para los ATS48 abiertos y no necesariamente para las unidades Altistart® 48 en un CCM clase 8998. Consulte el diagrama de alambrado incluido con el CCM para conocer el alambrado exacto que deberá utilizar en el CCM.

Opciones estándar

La unidad de arranque suave Altistart 48 en un CCM proporciona un paquete pre-diseñado para el centro de control de motores con un desconectador y arrancador suave de motores asíncronos estándar de inducción de tres fases.

Cada paquete contiene:

- Opciones de limitador de corriente de cortocircuito para alcanzar la corriente nominal de cortocircuito de la unidad
- Bloques de terminales del cliente para las conexiones de control de 120 V
- Desconectador (interruptor automático o interruptor fusible) con palanca externa
- Terminal de programación y ajustes montada en la puerta para realizar diagnósticos y configuraciones al arrancador suave
- Contactor de cortocircuito que ignora al arrancador suave cuando se alcanza el nivel de la tensión plena durante el arranque.
- Es posible incluir en el paquete varias opciones de control y alimentación para el contactor; los dibujos específicos del pedido enumerarán todas las opciones incluidas.
- Terminales de carga (T1/T2/T3) para las conexiones del motor en el arrancador suave
- Protección contra sobrecarga de estado sólido incorporada en el arrancador suave



Consulte la Guía de instalación del Altistart 48 para obtener información de uso y ajustes del arrancador suave en una instalación específica.

Descripciones de modificaciones de fábrica del CCM

A continuación se proporcionan las descripciones de las modificaciones de fábrica del CCM opcionales para las unidades de arranque suave Altistart 48 en un CCM clase 8998. Las modificaciones aplicables a su unidad han sido indicadas en la Hoja de información de la unidad en el paquete de dibujos enviado con cada CCM.

Tabla 1: Opciones de alimentación de la unidad Altistart 48 en un CCM

Opción	Descripción
Arrancador de derivación a tensión plena integrado	Incluye un contactor de aislamiento de entrada. Como una opción, las unidades Altistart 48 en un CCM pueden incluir una derivación a tensión plena la cual permitirá realizar un arranque del motor de emergencia a tensión plena en caso de que no se pueda utilizar el arrancador suave. Esta opción incluye los circuitos de control y alimentación necesarios para arrancar el motor a tensión plena utilizando un interruptor selector Normal/Apagado/Derivación. El equipo incluye un relevador de sobrecarga clase 20 para proteger el motor en el modo de derivación. El contactor de derivación también funciona como un contactor de cortocircuito en el modo de arranque suave. No está disponible con funciones de inversión.
Contactores NEMA sustitutos	Sustituye los contactores estándar clasificados por IEC con los contactores clasificados por NEMA. No está disponible con funciones de inversión.
Función de inversión	Incluye un contactor de aislamiento de entrada. No está disponible con los contactores NEMA o de derivación a tensión plena.
Contactor de aislamiento de entrada	Sustituye la desconexión estándar por disparo en derivación. Esta es una opción estándar cuando se elige la función integrada de inversión o arrancador de derivación a tensión plena. Como opción, las unidades Altistart 48 en un CCM pueden incluir un contactor de entrada para aislar el arrancador suave en caso de que se produzca una falla en lugar de una desconexión por disparo en derivación. El contactor de entrada también se abre cuando el motor no se está usando. Esto proporciona protección contra sobretensiones transitorias cuando el equipo electrónico es más susceptible a daño. La alimentación de control se mantiene después de que el contactor de entrada se abre para que estén disponibles los diagnósticos de falla.

Tabla 2: Variaciones del circuito de control de la unidad Altistart®

Descripción
Sin fusible, circuito de control independiente de 120 V con desconectador de alimentación de control
Fusible, circuito de control independiente de 120 V con desconectador de alimentación de control
Enclavamiento del mecanismo de funcionamiento
Transformador de alimentación de control fusible

Tabla 3: Variaciones de control de la unidad Altistart

Descripción
Retardo de arranque de 1,5 a 30 segundos
Relevador serie D, 3 N.A./2 N.C., sin conectar
Relevador serie D, 3 N.A./2 N.C., sin conectar; temporizador de conexión con retardo de 10 a 180 segundos, 1 N.A./1 N.C.
Relevador serie D, 3 N.A./2 N.C., sin conectar; temporizador de desconexión con retardo de 10 a 180 segundos, 1 N.A./1 N.C.
Lámparas piloto
Lámpara piloto – Conexión (roja)
Lámpara piloto – Desconexión (verde)
Lámpara piloto – Alimentación conectada (azul)
Lámpara piloto – Falla (amarillo)
Lámpara piloto – Conexión (verde)
Lámpara piloto – Desconexión (roja)
Lámpara piloto – Función especial (roja)
Lámpara piloto – Función especial (verde)

Tabla 3: Variaciones de control de la unidad Altistart (cont.)

Descripción
Lámparas piloto LED
Lámpara piloto – Conexión (roja)
Lámpara piloto – Desconexión (verde)
Lámpara piloto – Falla (amarillo)
Lámpara piloto – Conexión (verde)
Lámpara piloto – Desconexión (roja)
Lámpara piloto – Función especial (roja)
Lámpara piloto – Función especial (verde)
Lámparas piloto de prueba
Lámpara piloto – Conexión (roja)
Lámpara piloto – Desconexión (verde)
Lámpara piloto – Falla (amarillo)
Lámpara piloto – Conexión (verde)
Lámpara piloto – Desconexión (roja)
Lámpara piloto – Función especial (roja)
Lámpara piloto – Función especial (verde)
Lámparas piloto LED de prueba
Lámpara piloto – Conexión (roja)
Lámpara piloto – Desconexión (verde)
Lámpara piloto – Falla (amarillo)
Lámpara piloto – Conexión (verde)
Lámpara piloto – Desconexión (roja)
Lámpara piloto – Función especial (roja)
Lámpara piloto – Función especial (verde)
Dispositivos piloto
Botones de arranque/paro
Interruptor selector Manual/Apagado/Automático
Interruptor selector Adelante/Apagado/Atrás
Interruptor selector Paro/Marcha
Interruptor selector Manual/Automático y botones de Arranque/Paro
Botón de desconexión de emergencia, contacto sostenido
Medidor de corriente: analógico, para montar en un panel de 64 mm, 0 a 200% de la corriente nominal del motor
Contador de tiempo transcurrido
Sustituto tipo K
Entrelaces eléctricos auxiliares
Contactos de marcha, 1 forma C, de 5 A en 120 V~ (c.a.)
Contactos de marcha de derivación, 1 forma C, de 5 A en 120 V~ (c.a.); se necesita un arrancador de derivación a tensión plena integrado
Contactos de modo automático, 1 forma C, de 5 A en 120 V~ (c.a.); se necesita un interruptor automático (forma C o C09)
Contactos de falla, 1 forma C, de 5 A en 120 V~ (c.a.)

SECCIÓN 2—INSTRUCCIONES DE SEGURIDAD

Esta sección describe precauciones de seguridad importantes que deben seguirse antes de intentar la instalación, servicios o mantenimiento del equipo eléctrico. Asegúrese de leer y seguir detenidamente las precauciones de seguridad delineadas a continuación.

▲ PELIGRO

PELIGRO DE DESCARGA ELÉCTRICA, EXPLOSIÓN O DESTELLO POR ARQUEO

- Utilice equipo de protección personal (EPP) apropiado y siga las prácticas de seguridad eléctrica establecidas por su Compañía, consulte la norma 70E de NFPA.
- Solamente el personal eléctrico especializado deberá instalar y prestar servicio de mantenimiento a este equipo.
- Desenergice el equipo antes de realizar cualquier trabajo en él.
- Siempre utilice un dispositivo detector de tensión nominal adecuado para confirmar la desenergización del equipo.
- Vuelva a colocar todos los dispositivos, las puertas y las cubiertas antes de energizar este equipo.

El incumplimiento de estas instrucciones podrá causar la muerte o lesiones serias.

NOTA: Todo el personal involucrado con el manejo, instalación, pruebas, funcionamiento y servicios de mantenimiento deberá estar completamente familiarizado con la información provista en este boletín de instrucciones. Consulte los documentos que se enumeran en la página 5 de este boletín antes de realizar cualquier trabajo a este equipo. El personal debe entender completamente el funcionamiento de todo el equipo eléctrico, el funcionamiento específico de este equipo y el grado de seriedad de lesiones potenciales.

SECCIÓN 3—RECIBO, MANEJO Y ALMACENAMIENTO

Observe las siguientes precauciones para las unidades Altistart® 48 en un CCM enviadas al sitio del cliente como una unidad enchufable:

- Al levantar las unidades enchufables grandes de más de 610 mm (24 pulg) se necesitan dos o más personas para levantarlas; además, se deberán tener en cuenta precauciones de manejo especiales.
- Si se usan dispositivos de levantamiento, consulte la figura 1 en la página 10 para conocer los puntos de levantamiento apropiados. (La figura 2 muestra un punto NO adecuado para levantar unidades más grandes ni para usar un dispositivo de levantamiento).

Consulte el boletín de instrucciones del CCM para obtener información acerca del recibo, manejo y almacenamiento de las unidades del CCM y gabinetes.

Antes de instalar las unidades de control del CCM, localice y vuelva a apretar cualquier conexión que pudo haberse aflojado durante su envío y manejo. Consulte los procedimientos en la sección de servicios de mantenimiento del boletín de instrucciones del CCM modelo 6.

Figura 1: Puntos de levantamiento apropiados para las unidades enchufables

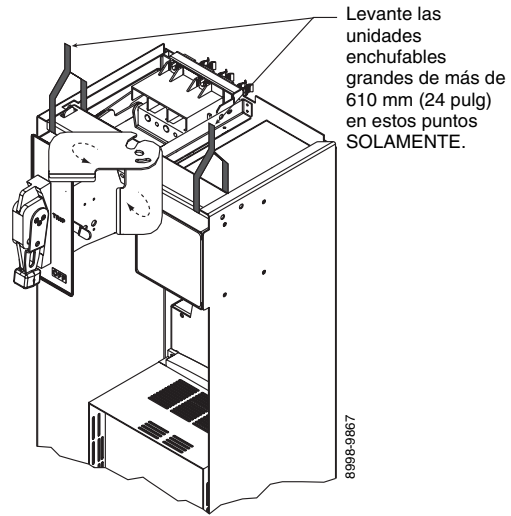
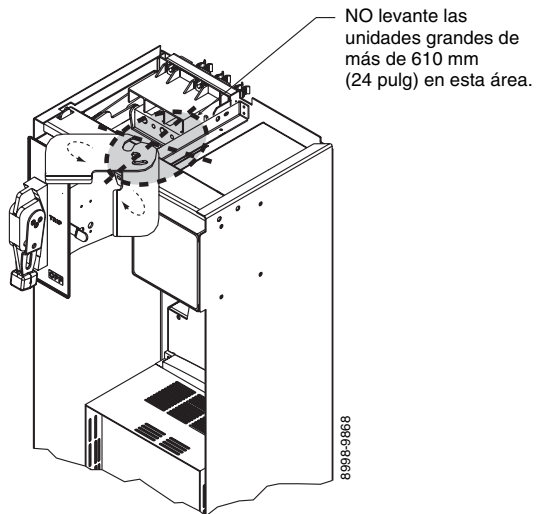


Figura 2: Este NO es punto de levantamiento recomendado para las unidades grandes de más de 610 mm (24 pulg)



SECCIÓN 4—INSTALACIÓN

⚠ PELIGRO

PELIGRO DE DESCARGA ELÉCTRICA, EXPLOSIÓN O DESTELLO POR ARQUEO

- Utilice equipo de protección personal (EPP) apropiado y siga las prácticas de seguridad eléctrica establecidas por su Compañía, consulte la norma 70E de NFPA.
- Solamente el personal eléctrico especializado deberá instalar y prestar servicio de mantenimiento a este equipo.
- Desenergice el equipo antes de realizar cualquier trabajo en él.
- Siempre utilice un dispositivo detector de tensión nominal adecuado para confirmar la desenergización del equipo.
- Vuelva a colocar todos los dispositivos, las puertas y las cubiertas antes de energizar este equipo.

El incumplimiento de estas instrucciones podrá causar la muerte o lesiones serias.

Este boletín contiene detalles específicos para la instalación de las unidades Altistart® 48 en un CCM.



Consulte el boletín de instrucciones de los centros de control de motores modelo 6 (80459-641-01_) junto con las instrucciones de instalación en esta sección.

Identificación de la unidad

La etiqueta de identificación de la unidad (que se muestra en la figura 3) se encuentra en la pared interior de la unidad Altistart 48 en un CCM. La etiqueta de identificación de la unidad contiene el número del pedido de fábrica (F.O. NO.) y la tensión nominal (VOLTS) de la unidad. Además, cada arrancador suave tiene una etiqueta con código de barras situada en la parte frontal a la derecha. La etiqueta de código de barras contiene el número de modelo para el arrancador suave (por ejemplo el ATS48D75Y).

Figura 3: Etiqueta de identificación de la unidad en un CCM

	F.O. NO.	12345678-001.001	UNIT LOC	1A	
	WIRING DIAGRAM	E12345678-001-04-1			
	3 HP	VOLTS	480 AC	PHASE	3
	AMPS	PLANT	46	ASSEMBLER	
FOR DISCONNECT ASSY. AND THERMAL NOS. SEE INSTALLATION AND MAINTENANCE MANUAL					

80438-001-02
MADE IN USA
8998-9869



Mientras lee este boletín, observe la información detallada en la etiqueta de identificación de la unidad para determinar qué elementos son aplicables para la instalación. Esta información también es necesaria y deberá estar disponible cuando llame a la fábrica.

Alambrado de control

⚠ PELIGRO

PELIGRO DE DESCARGA ELÉCTRICA, EXPLOSIÓN O DESTELLO POR ARQUEO

- Utilice equipo de protección personal (EPP) apropiado y siga las prácticas de seguridad eléctrica establecidas por su Compañía, consulte la norma 70E de NFPA.
- Solamente el personal eléctrico especializado deberá instalar y prestar servicio de mantenimiento a este equipo.
- Desenergice el equipo antes de realizar cualquier trabajo en él.
- Siempre utilice un dispositivo detector de tensión nominal adecuado para confirmar la desenergización del equipo.
- Vuelva a colocar todos los dispositivos, las puertas y las cubiertas antes de energizar este equipo.

El incumplimiento de estas instrucciones podrá causar la muerte o lesiones serias.

Las unidades Altistart® 48 en un CCM incluyen un bloque de terminales de campo (FTB), vea la figura 4 en la página 13, para las entradas de control necesarias del cliente y algunos contactos auxiliares. El FTB es un bloque de terminales desprendible típicamente situado en el piso de las unidades enchufables o en el panel posterior de las unidades de secciones completas (vea las figuras 5 y 6, en las páginas 13 y 14).

Realice las terminaciones de los cables de control de campo en la parte (superior) desmontable del bloque de terminales. Para separar o retirar la parte superior del bloque de terminales de la base, tome esta mitad y júlela hacia arriba (vea la figura 4).

En este boletín de instrucciones así como en los diagramas de alambrado que acompañan al CCM, se usan las siglas "FTB" para hacer referencia al bloque de terminales de campo.

Cada terminal acepta un cable de 1,5 mm² a 4 mm² (16 a 12 AWG) o dos cables de 1,5 mm² (16 AWG). Apriete los tornillos de terminal a 0,6 N•m (5 lbs-pulg).



Según las opciones de alimentación y control solicitadas en el pedido, los bloques de terminales de control del arrancador suave Altistart 48 tendrán disponibles varias entradas y salidas analógicas y digitales. Para obtener más información sobre la disponibilidad de E/S, consulte el diagrama de alambrado incluido con la unidad Altistart en un CCM. Para obtener más detalles sobre las especificaciones y ajustes de E/S, consulte la Guía de instalación Altistart 48.

Figura 4: Bloque de terminales de campo desprendible

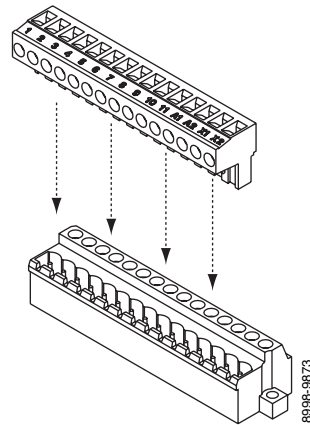
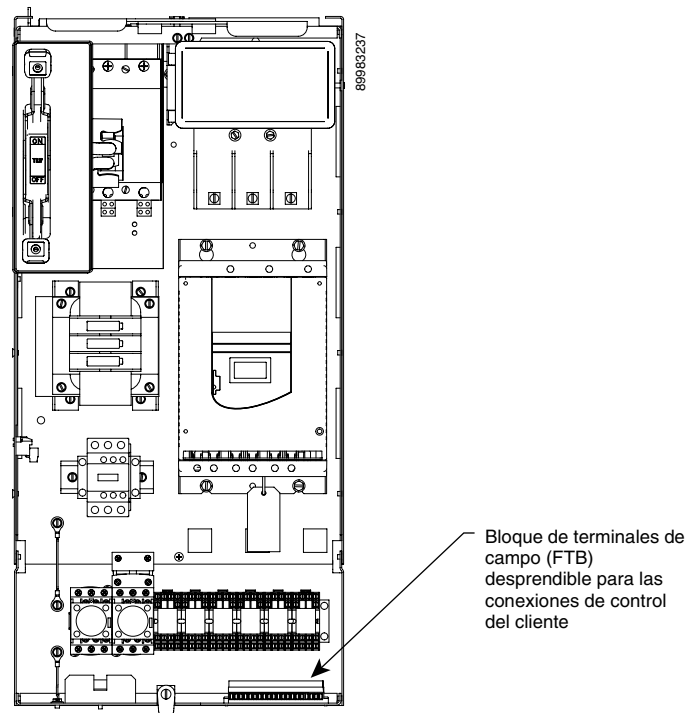
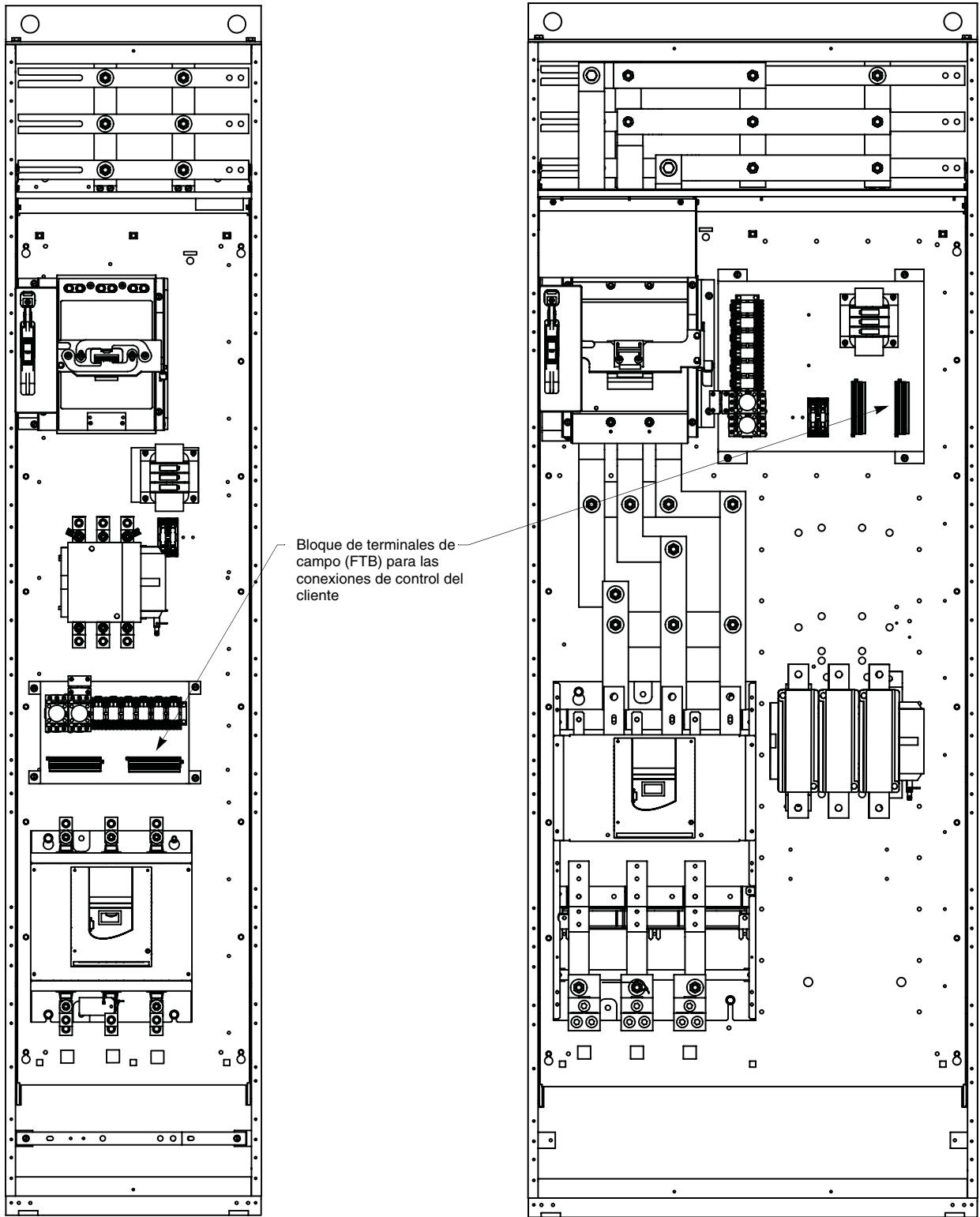


Figura 5: Ubicación típica del bloque de terminales FTB, en las unidades enchufables Altistart® 48 en un CCM



ESPAÑOL

Figura 6: Ubicación típica del bloque de terminales de campo FTB, en las unidades Altistart® 48 en un CCM con secciones completas



Alambrado de carga

⚠ PELIGRO

PELIGRO DE DESCARGA ELÉCTRICA, EXPLOSIÓN O DESTELLO POR ARQUEO

- Utilice equipo de protección personal (EPP) apropiado y siga las prácticas de seguridad eléctrica establecidas por su Compañía, consulte la norma 70E de NFPA.
- Solamente el personal eléctrico especializado deberá instalar y prestar servicio de mantenimiento a este equipo.
- Desenergice el equipo antes de realizar cualquier trabajo en él.
- Siempre utilice un dispositivo detector de tensión nominal adecuado para confirmar la desenergización del equipo.
- Vuelva a colocar todos los dispositivos, las puertas y las cubiertas antes de energizar este equipo.

El incumplimiento de estas instrucciones podrá causar la muerte o lesiones serias.

Las conexiones de carga al motor deberán terminarse en el bloque de terminales de alimentación situado en el extremo inferior del arrancador suave ATS48 (consulte la Guía de instalación Altistart 48® para conocer su ubicación). Las terminales de carga han sido identificadas como T1, T2 y T3 en el arrancador suave Altistart 48, en los diagramas de alambrado de la unidad Altistart 48 en un CCM y en la Guía de instalación Altistart 48. Consulte la etiqueta de valores de par de apriete adyacente a las terminales de carga para conocer los requisitos de cable y par de apriete de éstas

Adaptación a la entrada de línea



Este párrafo sustituye la información bajo “Adaptación a la entrada de línea” que se explica en la página 24 de la Guía de instalación del Altistart 48.

Cada unidad Altistart 48 en un CCM ha sido configurada en la fábrica para una tensión de línea particular según las especificaciones en el pedido del equipo. Los valores nominales disponibles son: 208 V~ (c.a.), 240 V~ (c.a.), 480 V~ (c.a.) y 600 V~ (c.a.) a 60 Hz. La tensión nominal configurada en la fábrica aparece en la etiqueta de identificación de la unidad. Consulte con la fábrica si el equipo requiere modificaciones diferentes a estas tensiones nominales.

SECCIÓN 5—FUNCIONAMIENTO

▲ ADVERTENCIA

OPERACIÓN INVOLUNTARIA DEL EQUIPO

- Antes de usar la terminal de programación y ajustes, asegúrese de leer y entender los procedimientos de la Guía de instalación de los arrancadores suaves Altistart 48 gama Y (30072-450-61). La modificación de los parámetros afecta el funcionamiento del arrancador. Oprima la tecla ENT para la mayoría de las modificaciones.
- Bloquee la terminal de programación y ajustes después de realizar modificaciones a los parámetros.
- No ajuste los parámetros del arrancador suave en configuraciones diferentes a las especificadas en los diagramas de alambrado provistos con la unidad Altistart 48 en un CCM. Algunos parámetros del arrancador suave, ajustados en fábrica, son críticos para las configuraciones de alimentación y control de la unidad Altistart 48 en un CCM.
- No altere la programación de los dispositivos de control instalados en la fábrica o los contactores de alimentación.

El incumplimiento de estas instrucciones puede causar la muerte o lesiones serias.



Antes de hacer funcionar la unidad Altistart 48, realice los procedimientos que se detallan en “Ajustes de fábrica” en la página 17.

Para obtener información completa con respecto al funcionamiento de la unidad Altistart 48 en un CCM, consulte la Guía de instalación del Altistart 48® y los dibujos incluidos con la unidad.

Diagramas de circuitos

La unidad Altistart 48 en un CCM es un paquete integrado que puede tener diferentes componentes y diagramas de control que los que figuran en la Guía de instalación del Altistart 48. Los documentos incluidos con las unidades Altistart 48 en un CCM sustituyen la información en las secciones “Diagramas de los circuitos de control” y “Lista de componentes recomendados” en la Guía de instalación del Altistart 48. Los diagramas de circuitos específicos para las unidades Altistart 48 en un CCM son enviados con cada unidad.

Arrancador de derivación a tensión plena integrado

Como una opción, las unidades Altistart 48 en un CCM pueden incluir una derivación a tensión plena la cual permitirá desviar el arrancador suave y poner en marcha el motor empleando un método de arranque a tensión plena en todo el sistema. Este modo de funcionamiento puede ser utilizado cuando el arrancador suave Altistart 48 está fuera de servicio debido a una falla de protección y es necesario que el proceso continúe hasta un punto práctico en que puede ser desconectado. Los sistemas eléctrico y mecánico deberán ser repasados y asegurarse que sean compatibles con un método de arranque a tensión plena antes de emplear un modo de derivación. El circuito incluye un interruptor selector “Normal/Apagado/Derivación” montado en la puerta de la unidad, lógica de control y un relevador de sobrecarga independiente.

El contactor de derivación es controlado por el interruptor selector “Normal/Apagado/Derivación”. En la posición “Normal”, el arrancador suave controla el motor. El contactor de derivación también funciona como un contactor de cortocircuito y cerrará al completar el ciclo de arranque suave, y abrirá cuando recibe un comando de paro. La protección contra

sobrecarga del motor se obtiene a través de un relevador de sobrecarga de estado sólido incorporado en el arrancador suave Altistart 48.

En la posición “Derivación”, el contactor de entrada y el contactor de derivación se abrirán y cerrarán directamente a través de la lógica de arranque-paro del cliente. El arrancador suave no controla el motor en el modo de derivación. Se emplea un relevador de sobrecarga bimetálico independiente compensada por la temperatura ambiente para proporcionar protección contra sobrecarga al motor.

Ajustes de fábrica

El arrancador suave Altistart 48 viene preajustado de fábrica para que, en muchas aplicaciones, pueda funcionar sin necesidad de ser ajustado. Los ajustes de fábrica están basados en la información provista con el pedido del equipo.

El arrancador suave Altistart 48 funciona con software y ha sido previamente programado para coincidir con las opciones de alimentación y control adquiridas con la unidad Altistart 48 en un CCM.



No cambie ninguno de los ajustes de fábrica de los parámetros de la unidad Altistart 48 en un CCM si han sido especificados en los diagramas de alambrado provistos con la unidad. Varios de estos ajustes son críticos para las configuraciones de alimentación y control de la unidad.

Para obtener información con respecto a los ajustes de fábrica del CCM, consulte las notas de los parámetros en los diagramas de alambrado de la unidad, en el paquete “Instalación/Servicio de mantenimiento” incluido con el envío del equipo.

Antes de energizar la unidad por primera vez, compare el valor de la corriente nominal especificado en la placa de datos del motor con la corriente de salida (en base al valor nominal de la tensión y la potencia en hp) en las tablas correspondientes en la sección “Características técnicas” de la Guía de instalación del Altistart® 48. Si el valor de la corriente nominal especificado en la placa de datos del motor no se encuentra dentro del 40 y 100% del valor en la tabla, se deberá utilizar un arrancador suave diferente.

Tabla 4: Configuración de fábrica

Corriente nominal del motor (I_n)	preseleccionada para que corresponda con la corriente nominal del motor de 460 V en base a los valores nominales de la tabla 430.150 del NEC y la norma 70 de NFPA.
Límite de corriente (ILt)	400% de la corriente nominal del motor I_n
Rampa de aceleración (ACC)	15 segundos
Par inicial durante el arranque ($tq0$)	20% del par nominal
Paro (StY)	Parada libre (-F-)
Protección térmica del motor (tHP)	Curva de protección contra sobrecarga térmica clase 10
Visualización	rdY (arrancador suave listo) cuando la tensión de alimentación y de control están presentes y el motor está funcionando.
Entradas lógicas	<ul style="list-style-type: none"> • L1 • L2 • L3 • L4 • STOP • RUN • Parada libre forzada (LIA) • Modo local forzado (LIL)

Tabla 4: Configuración de fábrica (cont.)

Salidas lógicas	<ul style="list-style-type: none"> • LO1 • LO2 	<ul style="list-style-type: none"> • Alarma de estado térmico del motor (tA1) • Motor energizado (ml)
Salidas de relevador	<ul style="list-style-type: none"> • R1 • R2 • R3 	<ul style="list-style-type: none"> • Relevador de falla (r1F) • Relevador de derivación al finalizar el arranque • Motor energizado (ml)
Salida analógica (AO)		Corriente del motor (OCr, 0–20 mA)
Parámetros de comunicación		<ul style="list-style-type: none"> • Cuando está conectado a través de la conexión en serie, el arrancador suave tiene una dirección lógica (Add) de 0 • Velocidad de transmisión (tbr): 19 200 bits por segundo • Formato de comunicación (FOr): 8 bits, sin paridad, 1 bit de paro (8nl)

Procedimiento mínimo de arranque

Varios parámetros en los tres niveles de menú del arrancador suave pueden ser ajustados para adaptar éste a la aplicación.

Los siguientes elementos clave deberán ser verificados y ajustados, en caso de ser necesario, antes de hacer funcionar el motor:

- Parámetro de la corriente nominal del motor (I_n), ajustable a través de la terminal de programación y ajustes.
- El relevador de sobrecarga bimetalico del motor (si se proporcionó un arrancador de derivación a tensión plena).

El parámetro de la corriente nominal del motor puede ser ajustado a través de la terminal de programación y ajustes con los parámetros programables del Altistart 48. Un interruptor de acceso en la parte posterior de la terminal de programación y ajustes permite tres niveles de acceso a los parámetros. El interruptor puede ser ajustado para evitar la modificación de los parámetros. (este es el ajuste por omisión de fábrica; esto es, los parámetros son bloqueados en la fábrica para evitar su modificación accidental).

Para ajustar los parámetros, siga los siguientes pasos:

1. Primero desconecte la unidad Altistart 48 en un CCM moviendo el desconectador seccionador de la unidad a la posición de abierto (O).
2. Desenergice el equipo y siga los procedimientos de bloqueo / etiquetado antes de realizar cualquier trabajo dentro o fuera del equipo. Siempre utilice un dispositivo detector de tensión nominal adecuado para confirmar la desenergización del equipo.
3. Abra la puerta de la unidad Altistart 48 en un CCM y localice el interruptor de acceso.



No es necesario retirar la terminal de programación y ajustes para modificar los parámetros del arrancador suave Altistart 48®.

Consulte la sección “Terminal de programación y ajustes remota”, páginas 19 y 20, de la Guía de instalación Altistart 48.

Corriente nominal del motor (I_n)

Los pre-ajustes de fábrica de la corriente nominal del motor I_n , figuran en la tabla 5 a continuación. Si la corriente nominal a plena carga del motor (en A) no se encuentra dentro del 95 y 105% del valor preseleccionado de fábrica para el arrancador suave Altistart 48, o si se usa un factor de servicio de 1,0 del motor, el arrancador deberá ser ajustado para protección y rendimiento óptimo del motor.

La protección contra sobrecarga térmica de estado sólido es una función estándar del arrancador suave Altistart 48. Para los motores de potencia

continua con un factor de servicio de 1,0 a 1,25; ajuste I_n utilizando el 100% de la corriente a plena carga que se muestra en la placa de datos del motor. Consulte “Protección y diagnóstico del motor” en las páginas 33 a 35 de la Guía de instalación Altistart 48 para obtener detalles sobre la protección contra sobrecargas.

Tabla 5: Ajustes de fábrica de la corriente nominal del motor

Altistart 48 modelo	Ajuste de fábrica de la corriente nominal del motor (I_n)
ATS48D17Y	14
ATS48D22Y	21
ATS48D32Y	27
ATS48D38Y	34
ATS48D47Y	40
ATS48D62Y	52
ATS48D75Y	65
ATS48D88Y	77
ATS48C11Y	96
ATS48C14Y	124
ATS48C17Y	156
ATS48C21Y	180
ATS48C25Y	240
ATS48C32Y	302
ATS48C41Y	361
ATS48C48Y	414
ATS48C59Y	477
ATS48C66Y	590

Unidades de relevador de sobrecarga del motor con arrancador de derivación a tensión plena integrado

Se usa un relevador de sobrecarga suplementario junto con el arrancador suave; consulte la selección de relevador de sobrecarga en la tabla 6. El relevador de sobrecarga del motor suplementario provisto con la unidad es un relevador de sobrecarga bimetálico compensado por la temperatura ambiente, clase 20. El relevador de sobrecarga deberá ser verificado para cerciorarse de que el ajuste de la corriente sea el correcto según los amperes actuales a plena carga del motor. Desenergice el equipo y siga los procedimientos de bloqueo / etiquetado antes de realizar cualquier trabajo dentro o fuera del equipo. Siempre utilice un dispositivo detector de tensión nominal adecuado para confirmar la desenergización del equipo. Todos los relevadores de sobrecarga vienen configurados de fábrica en su ajuste mínimo de disparo.

La tabla 6 enumera los números de pieza del relevador de sobrecarga del motor provisto con cada unidad Altistart 48® en un CCM cuando incluye la opción de arrancador de derivación a tensión plena integrado.

Tabla 6: Selección de relevador de sobrecarga para la unidad Altistart 48 en un CCM con arrancadores de derivación a tensión plena integrados que emplean contactores IEC solamente¹

Corriente a plena carga (en A)	No. de cat. de los relevadores de sobrecarga
9–13	LRD1516
12–18	LRD1521
17–25	LRD1522
25–32	LRD1532
30–40	LR2D3555
37–50	LR2D3557

Tabla 6: Selección de relevador de sobrecarga para la unidad Altistart 48 en un CCM con arrancadores de derivación a tensión plena integrados que emplean contactores IEC solamente¹

Corriente a plena carga (en A)	No. de cat. de los relevadores de sobrecarga
48–65	LR2D3559
55–70	LR2D3561
63–80	LR2D3563
60–100	LR9F5567
90–150	LR9F5569
132–220	LR9F5571
200–330	LR9F7575
300–500	LR9F7579
380–630	LR9F7581

¹ Las unidades con contactores NEMA y arrancador de derivación a tensión plena integrado incluyen relevadores de sobrecarga bimetálicos compensados por la temperatura clase 8536 que requieren elementos térmicos.

SECCIÓN 6—SERVICIOS DE MANTENIMIENTO

⚠ PELIGRO

PELIGRO DE DESCARGA ELÉCTRICA, EXPLOSIÓN O DESTELLO POR ARQUEO

- Utilice equipo de protección personal (EPP) apropiado y siga las prácticas de seguridad eléctrica establecidas por su Compañía, consulte la norma 70E de NFPA.
- Solamente el personal eléctrico especializado deberá instalar y prestar servicio de mantenimiento a este equipo.
- Desenergice el equipo antes de realizar cualquier trabajo en él.
- Siempre utilice un dispositivo detector de tensión nominal adecuado para confirmar la desenergización del equipo.
- Vuelva a colocar todos los dispositivos, las puertas y las cubiertas antes de energizar este equipo.

El incumplimiento de estas instrucciones podrá causar la muerte o lesiones serias.

Recomendaciones de fusibles de alimentación

Las unidades Altistart 48 en un CCM vienen con un interruptor automático termomagnético o un desconectador seccionador fusible automático, en caja moldeada con cuchilla visible.

Las unidades que vienen equipadas con desconectores seccionadores fusibles requieren que el usuario suministre e instale los fusibles de alimentación. Desenergice el equipo y siga los procedimientos de bloqueo / etiquetado antes de realizar cualquier trabajo dentro o fuera del equipo. Siempre utilice un dispositivo detector de tensión nominal adecuado para confirmar la desenergización del equipo. Los fusibles se pueden seleccionar de la tabla 7. Todas las provisiones para montar los fusibles en las unidades Altistart 48® del CCM aceptan los fusibles clase J o L de UL, según la corriente nominal a plena carga.



La información de la tabla 7 suplanta las recomendaciones de fusibles y referencias al tipo y tamaño de fusible que figuran en las tablas 8 y 33 de la Guía de instalación de los controladores Altistart 48.

Tabla 7: Selección de fusibles de alimentación para el desconectador seccionador fusible en una unidad Altistart 48 en un CCM

Potencia de la unidad en:				Repuesto Square D		Altistart 48		
208 V	240 V	480 V	600 V	Clase/valor nominal del fusible de alimentación	Fusible de alimentación Número de pieza	Fabricante y número de pieza del fusible	Número de catálogo del arrancador suave	
3	-	-	-	J/20A	25423-30200	Bussman® LPJ-20	ATS48D17Y	
				J/20A	25423-20200	Littelfuse® JTD-20		
				J/20A		Shawmut ATJ-20		
-	5	10	-	J/25A	25423-30250	Bussman LPJ-25		
				J/25A	25423-20250	Littelfuse JTD-25		
				J/25A		Shawmut ATJ-25		
-	-	-	15	J/30A	25423-30300	Bussman LPJ-30		
				J/30A	25423-20300	Littelfuse JTD-30		
				J/30A		Shawmut ATJ-30		
5	-	-	-	J/30A	25423-30300	Bussman LPJ-30	ATS48D22Y	
				J/30A	25423-20300	Littelfuse JTD-30		
				J/30A		Shawmut ATJ-30		
-	-	15	-	J/35A	25423-30350	Bussman LPJ-35		
				J/35A		Littelfuse JTD-35		
				J/35A		Shawmut ATJ-35		
-	7.5	-	20	J/40A	25423-30400	Bussman LPJ-40		
				J/40A	25423-20400	Littelfuse JTD-40		
				J/40A		Shawmut ATJ-40		
7.5	-	20	25	J/45A	25423-30450	Bussman LPJ-45	ATS48D32Y	
				J/45A		Littelfuse JTD-45		
				J/45A		Shawmut ATJ-45		
-	10	-	-	J/50A	25423-30500	Bussman LPJ-50		
				J/50A	25423-20500	Littelfuse JTD-50		
				J/50A		Shawmut ATJ-50		
10	-	-	-	J/50A	25423-30500	Bussman LPJ-50		ATS48D38Y
				J/50A	25423-20500	Littelfuse JTD-50		
				J/50A		Shawmut ATJ-50		
-	-	25	30	J/60A	25423-30600	Bussman LPJ-60		
				J/60A	25423-20600	Littelfuse JTD-60		
				J/60A		Shawmut ATJ-60		
-	15	30	40	J/70A	25423-30700	Bussman LPJ-70	ATS48D47Y	
				J/70A	25423-20700	Littelfuse JTD-70		
				J/70A		Shawmut ATJ-70		
15	-	-	-	J/80A	25423-30800	Bussman LPJ-80		ATS48D62Y
				J/80A	25423-20800	Littelfuse JTD-80		
				J/80A		Shawmut ATJ-80		
-	20	40	50	J/90A	25423-30900	Bussman LPJ-80		
				J/90A	25423-20900	Littelfuse JTD-80		
				J/90A		Shawmut ATJ-80		

ESPAÑOL

Tabla 7: Selección de fusibles de alimentación para el desconectador seccionador fusible en una unidad Altistart 48 en un CCM (cont.)

Potencia de la unidad en:				Repuesto Square D		Altistart 48		
208 V	240 V	480 V	600 V	Clase/valor nominal del fusible de alimentación	Fusible de alimentación Número de pieza	Fabricante y número de pieza del fusible	Número de catálogo del arrancador suave	
20	-	-	-	J/100A	25423-31000	Bussman LPJ-100	ATS48D75Y	
				J/100A	25423-21000	Littelfuse JTD-100		
				J/100A		Shawmut ATJ-100		
-	-	50	60	J/110A	25423-31100	Bussman LPJ-110		
				J/110A	25423-21100	Littelfuse JTD-110		
				J/110A		Shawmut ATJ-110		
-	25	-	-	J/125A	25423-31250	Bussman LPJ-125		
				J/125A	25423-21250	Littelfuse JTD-125		
				J/125A		Shawmut ATJ-125		
25	-	60	75	J/125A	25423-31250	Bussman LPJ-125	ATS48D88Y	
				J/125A	25423-21250	Littelfuse JTD-125		
				J/125A		Shawmut ATJ-125		
-	30	-	-	J/150A	25423-31500	Bussman LPJ-150		
				J/150A	25423-21500	Littelfuse JTD-150		
				J/150A		Shawmut ATJ-150		
30	-	-	-	J/150A	25423-31500	Bussman LPJ-150		ATS48C11Y
				J/150A	25423-21500	Littelfuse JTD-150		
				J/150A		Shawmut ATJ-150		
-	40	75	100	J/175A	25423-31750	Bussman LPJ-175		
				J/175A	25423-21750	Littelfuse JTD-175		
				J/175A		Shawmut ATJ-175		
40	-	-	-	J/200A	25423-32000	Bussman LPJ-200	ATS48C14Y	
				J/200A	25423-22000	Littelfuse JTD-200		
				J/200A		Shawmut ATJ-200		
-	50	100	125	J/225A	25423-32250	Bussman LPJ-200		
				J/225A	25423-22250	Littelfuse JTD-200		
				J/225A		Shawmut ATJ-200		
50	60	125	150	J/250A	25423-32500	Bussman LPJ-250		ATS48C17Y
				J/250A	25423-22500	Littelfuse JTD-250		
				J/250A		Shawmut ATJ-250		
60	-	150	-	J/300A	25423-33000	Bussman LPJ-300	ATS48C21Y	
				J/300A	25423-23000	Littelfuse JTD-300		
				J/300A		Shawmut ATJ-300		
-	75	-	200	J/350A	25423-33500	Bussman LPJ-350		
				J/350A	25423-23500	Littelfuse JTD-350		
				J/350A		Shawmut ATJ-350		
75	-	-	-	J/350A	25423-33500	Bussman LPJ-350		ATS48C25Y
				J/350A	25423-23500	Littelfuse JTD-350		
				J/350A		Shawmut ATJ-350		
-	100	200	250	J/400A	25423-34000	Bussman LPJ-400		
				J/400A	25423-24000	Littelfuse JTD-400		
				J/400A		Shawmut ATJ-400		

Tabla 7: Selección de fusibles de alimentación para el desconectador seccionador fusible en una unidad Altistart 48 en un CCM (cont.)

Potencia de la unidad en:				Repuesto Square D		Altistart 48	
208 V	240 V	480 V	600 V	Clase/valor nominal del fusible de alimentación	Fusible de alimentación Número de pieza	Fabricante y número de pieza del fusible	Número de catálogo del arrancador suave
100	-	-	-	J/450A	25423-34500	Bussman LPJ-450	ATS48C32Y
				J/450A	25423-24500	Littelfuse JTD-450	
				J/450A		Shawmut ATJ-450	
-	125	250	300	J/500A	25423-35000	Bussman LPJ-500	
				J/500A	25423-25000	Littelfuse JTD-500	
				J/500A		Shawmut ATJ-500	
125	150	300	350	J/600A	25423-36000	Bussman LPJ-600	ATS48C41Y
				J/600A	25423-26000	Littelfuse JTD-600	
				J/600A		Shawmut ATJ-600	
150	-	350	400	L/700A	25432-10700	Bussman KRP-C-700	ATS48C48Y
				L/700A		Littelfuse KLP-C-700	
				L/700A		Shawmut A4BQ-700	
-	200	400	500	L/800A	25432-10800	Bussman KRP-C-800	ATS48C59Y
				L/800A		Littelfuse KLP-C-800	
				L/800A		Shawmut A4BQ-800	
200	-	-	-	L/900A	25432-10900	Bussman KRP-C-900	ATS48C66Y
				L/900A		Littelfuse KLP-C-900	
				L/900A		Shawmut A4BQ-900	
-	250	500	600	L/1000A	25432-11000	Bussman KRP-C-1000	
				L/1000A		Littelfuse KLP-C-1000	
				L/1000A		Shawmut A4BQ-1000	

ESPAÑOL

Boletín de instrucciones
Unidades de arranque suave Altistart® 48 en CCM

Importado en México por:

Schneider Electric México
S.A. de C.V.

Calz. J. Rojo Gómez 1121-A
Col. Gpe. del Moral 09300
México, D.F.
Tel. 55-5804-5000
www.schneider-electric.com.mx

Solamente el personal especializado deberá instalar, hacer funcionar y prestar servicios de mantenimiento al equipo eléctrico. Schneider Electric no asume responsabilidad alguna por las consecuencias emergentes de la utilización de este material.

80438-069-02B © 2004–2006 Schneider Electric Reservados todos los derechos
Reemplaza 80438-069-01A, 02/2004

Altistart[®] 48

Unités de démarrage progressif dans
les centres de commande de moteurs
1 à 600 HP, 600 V; 1 à 500 HP, 480 V;
1 à 250 HP, 240 V; ou 1 à 200 HP 208 V
Classe 8998

Directives d'utilisation
À conserver pour usage ultérieur.



CATÉGORIES DE DANGERS ET SYMBOLES SPÉCIAUX



Lisez attentivement ces directives et examinez l'appareillage pour vous familiariser avec son fonctionnement avant de faire son installation ou son entretien. Les messages spéciaux suivants peuvent apparaître dans les présentes directives ou sur l'appareil pour avertir l'utilisateur de dangers potentiels ou pour attirer l'attention sur des informations qui clarifient ou simplifient une procédure.

L'ajout d'un de ces deux symboles à une étiquette de sécurité de « Danger » ou d'« Avertissement » indique qu'un danger électrique existe et qu'il peut entraîner des blessures corporelles si les directives ne sont pas respectées.

Ceci est le symbole d'alerte de sécurité. Il est utilisé pour vous alerter de dangers de blessures corporelles potentielles. Veuillez vous conformer à tous les messages de sécurité qui suivent ce symbole pour éviter une blessure ou la mort.

DANGER

DANGER indique une situation de danger imminent qui, si elle n'est pas évitée **entraînera** la mort ou des blessures graves.

AVERTISSEMENT

AVERTISSEMENT indique une situation de danger potentiel qui, si elle n'est pas évitée, **peut entraîner** la mort ou des blessures graves.

ATTENTION

ATTENTION indique une situation de danger potentiel qui, si elle n'est pas évitée, **peut entraîner** des blessures mineures ou modérées.

ATTENTION

ATTENTION, utilisé sans le symbole d'alerte de sécurité, indique une situation de danger potentiel qui, si elle n'est pas évitée, **peut entraîner** des dommages matériels.



Fournit des renseignements complémentaires pour clarifier ou simplifier une procédure.



Signale une référence à un autre document ou section.

VEUILLEZ NOTER

Seul un personnel qualifié doit effectuer l'installation, l'utilisation, l'entretien et la maintenance du matériel électrique. Schneider Electric n'assume aucune responsabilité des conséquences éventuelles découlant de l'utilisation de cette documentation.



La « Procédure minimale de mise en service » commence à la page 18.

TABLE DES MATIÈRES

Section 1—Introduction	5
Caractéristiques standard	6
Descriptions des modifications à l'usine du CCM	6
Section 2—Mesures de sécurité	9
Section 3—Réception, manutention et entreposage	9
Section 4—Installation	11
Identification de l'unité	11
Câblage de contrôle	12
Câblage de charge	15
Adaptation à la tension du réseau	15
Section 5—Fonctionnement	16
Schémas des circuits	16
Démarreur de contournement pleine tension intégré	16
Réglages d'usine	17
Procédure minimale de mise en service	18
Courant nominal du moteur (In).....	18
Unités de relais de surcharge de moteur avec démarreur de contournement pleine tension intégré	19
Section 6—Entretien	20
Recommandation des fusibles de puissance	20

LISTE DE FIGURES

Figure 1 :	Points de levage appropriés pour les unités enfichables	10
Figure 2 :	Point de levage NON recommandé pour les unités d'une hauteur de plus de 610 mm (24 po)	10
Figure 3 :	Étiquette d'identification de l'unité pour CCM	11
Figure 4 :	Bornier de connexions sur place détachable	12
Figure 5 :	Emplacement typique du bornier FTB pour les unités enfichables Altistart 48 pour CCM	13
Figure 6 :	Emplacement typique du bornier FTB pour les unités Altistart® 48 pour CCM en section complète	14

LISTE DES TABLEAUX

Tableau 1 :	Options d'alimentation pour l'unité Altistart 48 pour CCM	7
Tableau 2 :	Variante du circuit de contrôle de l'unité Altistart	7
Tableau 3 :	Variante de contrôle de l'unité Altistart	7
Tableau 4 :	Configuration d'usine	17
Tableau 5 :	Réglages d'usine du courant nominal du moteur	19
Tableau 6 :	Sélection du relais de surcharge pour l'unité Altistart 48 pour CCM avec un démarreur de contournement pleine tension intégré utilisant des contacteurs IEC uniquement ...	19
Tableau 7 :	Sélection des fusibles de puissance pour l'unité Altistart 48 pour CCM avec sectionneur à fusibles.....	21

SECTION 1—INTRODUCTION

Ces directives d'utilisation fournissent des informations supplémentaires d'installation et d'entretien pour les démarreurs-ralentisseurs progressifs Altistart® 48 Square D® dans les centres de commande de moteurs (CCM) classe 8998 Square D. Plusieurs caractéristiques des unités de démarrage progressif Altistart 48 pour CCM nécessitent les directives contenues dans ce document, en plus de celles relatives aux unités standards pour CCM.

Les documents de référence expédiés avec les démarreurs progressifs Altistart 48 et les centres de commande de moteurs classe 8998 comprennent :

- Directives d'utilisation des centres de commande de moteurs Modèle 6 (80459-641-01_). Ces directives sont intitulées dans ce document : « Directives d'utilisation des CCM ».
- Guide d'installation des démarreurs progressifs Altistart 48, gamme Y (30072-450-61). Ces directives sont intitulées dans ce document : « Guide d'installation de l'Altistart 48 ».
- Schémas spécifiques à la commande.



Cet appareil est expédié avec les directives appropriées. Pour remplacer des documents manquants, contacter votre représentant des ventes local.

Les références dans ce bulletin à d'autres renseignements publiés dans d'autres documents peuvent être obtenues à www.us.SquareD.com.

Les informations fournies dans ces directives doivent être lues en plus de tous les autres documents expédiés avec le CCM. Certaines informations contenues ici remplacent les informations fournies dans le guide d'installation de l'Altistart 48. Les informations de remplacement sont notées de façon spécifique dans la section « Exceptions au guide d'installation 30072-450-61 » ci-après.

REMARQUE : Dans ces directives d'utilisation, l'unité de démarrage progressif Altistart 48 pour CCM est appelée « Unité Altistart 48 pour CCM ». Le démarreur progressif Altistart 48 lui-même est appelé « démarreur progressif » ou « ATS48 ».

Exceptions au guide d'installation 30072-450-61

Lorsqu'il est fait référence au guide d'installation de l'Altistart 48 pour les unités Altistart 48 pour CCM, classe 8998, veuillez noter ce qui suit :

- La section « Procédure minimale de mise en service » à la page 18 de ces directives remplace la section « Procédures de démarrage rapide » du document n° 30072-450-61.
- La « Section 3—Réception, manutention et entreposage » à la page 9 de ces directives remplace la section « Réception et manutention » du document n° 30072-450-61.
- La section « Montage » du document n° 30072-450-61 ne s'applique pas à l'unité Altistart 48 pour CCM classe 8998. Consulter les directives d'utilisation des CCM Modèle 6 (n° 80459-641-01_) pour installer l'unité.
- Les composants recommandés indiqués dans l'annexe B du document n° 30072-450-61 concernent seulement les démarreurs progressifs ATS48 non en coffret. Se reporter à la section Recommandation des fusibles de puissance à la page 20 des présentes directives pour connaître les composants réels utilisés avec les unités Altistart 48 pour CCM classe 8998.
- Les dispositifs de protection contre les surintensités (OCPD) recommandés dans le tableau Dispositif de protection contre les courts-circuits (coordination type 1) dans le document n° 30072-450-61 ne

concernent que les démarreurs progressifs ATS48 non en coffret. Se reporter à la section « Recommandation des fusibles de puissance » à la page 20 des présentes directives pour connaître les composants réels utilisés avec les unités Altistart 48 pour CCM classe 8998.

- Les dimensions et poids indiqués aux tableaux Dimensions ATS48D17Y–C66Y et Dimensions ATS48C79Y–M12Y dans le document n° 30072-450-61 ne concernent que les démarreurs progressifs ATS48 non en coffret. Voir les plans d'élévation frontale fournis avec la commande de CCM pour le poids hors-tout des CCM.
- Les schémas de câblage recommandés dans l'annexe A du document n° 30072-450-61 sont fournis à titre de recommandations s'appliquant aux démarreurs progressifs ATS48 non en coffret et ne concernent pas nécessairement les unités Altistart® 48 pour CCM classe 8998. Consulter le schéma de câblage expédié avec le CCM pour le câblage exact incorporé dans celui-ci.

Caractéristiques standard

L'unité Altistart 48 pour CCM offre un ensemble centre de commande de moteurs préfabriqué muni d'un sectionneur et d'un démarreur progressif de moteurs à induction standard, triphasés, asynchrones.

Chaque ensemble contient :

- Des dispositifs à limitation de courant de court-circuit pour obtenir le courant nominal de court-circuit de l'unité
- Borniers du client pour les raccordements de contrôle de 120 V
- Un sectionneur (disjoncteur ou interrupteur à fusible) à manette externe
- Un terminal d'exploitation monté sur la porte pour les diagnostics et la configuration du démarreur progressif
- Un contacteur de court-circuit qui contourne le démarreur progressif lorsque la pleine tension est atteinte au démarrage.
- Diverses options de contacteurs de contrôle et d'alimentation peuvent être incorporées dans l'ensemble; les plans spécifiques à la commande indiqueront les options fournies.
- Des bornes de charge (T1/T2/T3) pour le raccordement de moteurs au démarreur progressif
- Protection transistorisée contre les surcharges intégrée au démarreur progressif.



Voir le guide d'installation de l'Altistart 48 pour l'application et le réglage du démarreur progressif pour une installation particulière.

Descriptions des modifications à l'usine du CCM

Les modifications en option à l'usine du CCM pour les unités Altistart 48 pour CMM classe 8998 sont indiqués ci-dessous. Les modifications applicables à votre unité sont indiquées sur la fiche d'informations de l'unité fournie avec l'ensemble des plans et schémas livrés avec chaque CCM.

Tableau 1 : Options d'alimentation pour l'unité Altistart 48 pour CCM

Option	Description
Démarrateur de contournement pleine tension intégré	Comprend un contacteur d'isolement d'entrée. En option, les unités Altistart 48 pour CCM peuvent comprendre un contournement pleine tension pour permettre un démarrage pleine tension de secours du moteur au cas où le démarreur progressif serait inutilisable. Cette caractéristique comporte les circuits nécessaires de contrôle et d'alimentation pour démarrer le moteur avec pleine tension à l'aide d'un sélecteur normal/arrêt/contournement. Un relais de surcharge classe 20 est fourni pour protéger le moteur en mode de contournement. Le contacteur de contournement agit en outre comme contacteur de court-circuit en mode de démarrage progressif. Non disponible avec la capacité d'inversion.
Substitut avec des contacteurs NEMA	Remplace les contacteurs standard classés IEC par des contacteurs classés NEMA. Non disponible avec la capacité d'inversion.
Capacité d'inversion	Comprend un contacteur d'isolement d'entrée. Non disponible avec les contacteurs NEMA ou contournement pleine tension.
Contacteur d'isolement d'entrée	Remplace le sectionneur avec déclencheur shunt standard. C'est une caractéristique standard si la capacité d'inversion ou un démarreur de contournement pleine tension intégré est choisi. En option, les unités Altistart 48 pour CCM peuvent comprendre un contacteur d'entrée pour isoler le démarreur progressif en cas de condition de défaut au lieu d'un sectionneur avec déclencheur shunt. Le contacteur d'entrée s'ouvre également quand le moteur n'est pas utilisé. Cela procure une protection contre les transitoires de tension lorsque les dispositifs électroniques sont plus susceptibles d'être endommagés. L'alimentation de contrôle est maintenue après l'ouverture du contacteur d'entrée de sorte que les diagnostics de défauts sont disponibles.

Tableau 2 : Variantes du circuit de contrôle de l'unité Altistart

Description
Sans fusible, circuit de contrôle de 120 V séparé avec sectionneur d'alimentation de contrôle
Avec fusible, circuit de contrôle de 120 V séparé avec sectionneur d'alimentation de contrôle
Interverrouillage du mécanisme de fonctionnement
Transformateur d'alimentation de contrôle avec fusible

Tableau 3 : Variantes de contrôle de l'unité Altistart

Description
Délai au démarrage de 1 à 30 s.
Relais Série D non câblé 3 N.O./2 N.F.
Relais Série D non câblé 3 N.O./2 N.F.; temporisateur de retard à l'activation 10 à 180 s, 1 N.O./1 N.F.
Relais Série D non câblé 3 N.O./2 N.F.; temporisateur de retard à la désactivation 10 à 180 s, 1 N.O./1 N.F.
Voyants lumineux
Voyant lumineux « Marche » (rouge)
Voyant lumineux « Arrêt » (vert)
Voyant lumineux « Sous tension » (bleu)
Voyant lumineux « Défaut » (jaune)
Voyant lumineux « Marche » (vert)
Voyant lumineux « Arrêt » (rouge)
Voyant lumineux pour fonctions spéciales (rouge)
Voyant lumineux pour fonctions spéciales (vert)

Tableau 3 : Variantes de contrôle de l'unité Altistart (suite)

Description
Voyant lumineux DÉL
Voyant lumineux « Marche » (rouge)
Voyant lumineux « Arrêt » (vert)
Voyant lumineux « Défaut » (jaune)
Voyant lumineux « Marche » (vert)
Voyant lumineux « Arrêt » (rouge)
Voyant lumineux pour fonctions spéciales (rouge)
Voyant lumineux pour fonctions spéciales (vert)
Voyants lumineux pousser-pour-vérifier
Voyant lumineux « Marche » (rouge)
Voyant lumineux « Arrêt » (vert)
Voyant lumineux « Défaut » (jaune)
Voyant lumineux « Marche » (vert)
Voyant lumineux « Arrêt » (rouge)
Voyant lumineux pour fonctions spéciales (rouge)
Voyant lumineux pour fonctions spéciales (vert)
Voyants lumineux DÉL pousser-pour-vérifier
Voyant lumineux « Marche » (rouge)
Voyant lumineux « Arrêt » (vert)
Voyant lumineux « Défaut » (jaune)
Voyant lumineux « Marche » (vert)
Voyant lumineux « Arrêt » (rouge)
Voyant lumineux pour fonctions spéciales (rouge)
Voyant lumineux pour fonctions spéciales (vert)
Dispositifs de commande
Boutons-poussoirs marche/arrêt
Sélecteur manuel/arrêt/automatique
Sélecteur avant/arrêt/arrière
Sélecteur arrêt/marche
Sélecteur manuel/automatique et boutons-poussoirs marche/arrêt
Bouton-poussoir d'arrêt d'urgence, contact maintenu
Ampèremètre : analogique, pour monter sur panneau 64 mm (2,5 po), 0 à 200 % de courant nominal du moteur
Compteur horaire
Substitution avec interface opérateur de type K
Interverrouillages électriques auxiliaires
Contacts de marche, 1 de type C, 5 A à 120 Vca
Contacts de marche de contournement, 1 de type C, 5 A à 120 Vca; nécessite un démarreur de contournement pleine tension intégré
Contacts pour mode automatique, 1 de type C, 5 A à 120 Vca ; nécessite un interrupteur automatique (type C ou C09)
Contacts de défaut, 1 de type C, 5 A à 120 Vca

SECTION 2—MESURES DE SÉCURITÉ

Cette section contient des mesures de sécurité importantes qui doivent être observées avant d'installer, de réparer ou d'entretenir le matériel électrique. Lire et observer attentivement les mesures de sécurité décrites ci-après.

⚠ DANGER

RISQUE D'ÉLECTROCUTION, D'EXPLOSION OU D'ÉCLAIR D'ARC

- Portez un équipement de protection personnelle (ÉPP) approprié et observez les méthodes de travail électrique sécuritaire. Voir NFPA 70E.
- Seul un personnel qualifié doit effectuer l'installation et l'entretien de cet appareil.
- Coupez toutes les alimentations à cet appareil avant d'y travailler.
- Utilisez toujours un dispositif de détection de tension ayant une valeur nominale appropriée pour vous assurer que l'alimentation est coupée.
- Remplacez tous les dispositifs, les portes et les couvercles avant de mettre l'appareil sous tension.

Si ces directives ne sont pas respectées, cela entraînera la mort ou des blessures graves.

REMARQUE : Tout le personnel impliqué dans la manutention, l'installation, les essais, le fonctionnement et l'entretien doit être parfaitement au courant des informations contenues dans ces directives d'utilisation. Se reporter aux documents de référence cités à la page 5 de ces directives avant de travailler sur cet appareil. Le personnel doit avoir une connaissance approfondie du matériel électrique en général, du fonctionnement spécifique de cet appareil particulier et du degré de sévérité des blessures possibles.

SECTION 3—RÉCEPTION, MANUTENTION ET ENTREPOSAGE

Observer les précautions suivantes concernant les unités Altistart® 48 pour CCM expédiées sur le site en tant qu'unités enfichables :

- Le levage des unités enfichables d'une taille dépassant 610 mm (24 po) nécessite deux ou plusieurs personnes prenant des précautions de manutention et utilisant des dispositifs de levage spéciaux.
- Si des dispositifs de levage sont utilisés, se reporter à la figure 1 pour les points de levage appropriés. (La figure 2 montre un point de levage qui N'est PAS recommandé pour les unités plus grandes ou en cas d'utilisation de dispositifs de levage.)

Consulter les directives d'utilisation du CCM Modèle 6 pour y trouver les informations sur la réception, la manutention et l'entreposage d'unités CCM et d'armoires.

Avant d'installer des unités de contrôle de CCM, trouver et resserrer ou remettre au couple approprié toutes connexions qui ont pu se relâcher en cours d'expédition et de manutention. Consulter les procédures à la section d'entretien des directives d'utilisation du CCM Modèle 6.

Figure 1 : Points de levage appropriés pour les unités enfichables

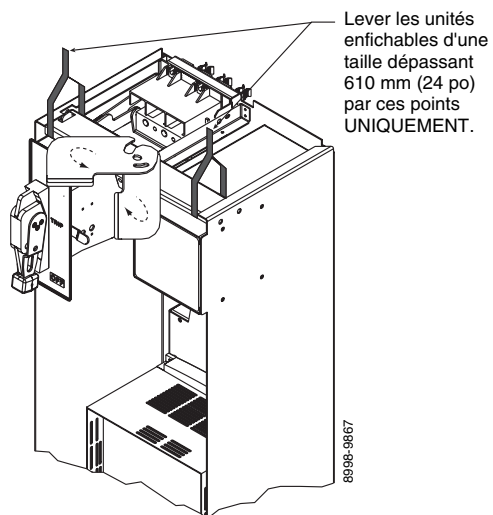
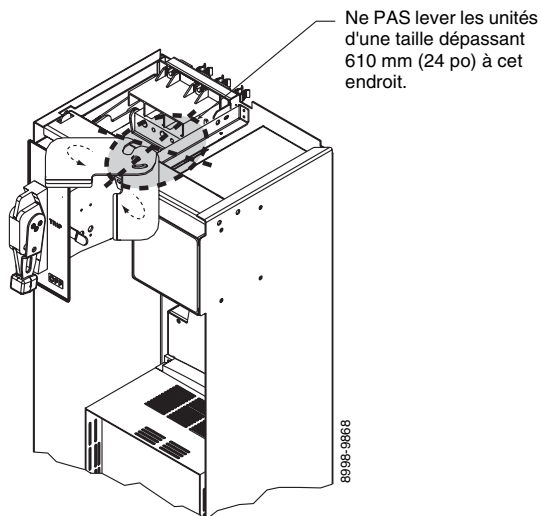


Figure 2 : Point de levage NON recommandé pour les unités d'une hauteur de plus de 610 mm (24 po)



SECTION 4—INSTALLATION

⚠ DANGER

RISQUE D'ÉLECTROCUTION, D'EXPLOSION OU D'ÉCLAIR D'ARC

- Portez un équipement de protection personnelle (ÉPP) approprié et observez les méthodes de travail électrique sécuritaire. Voir NFPA 70E.
- Seul un personnel qualifié doit effectuer l'installation et l'entretien de cet appareil.
- Coupez toutes les alimentations à cet appareil avant d'y travailler.
- Utilisez toujours un dispositif de détection de tension ayant une valeur nominale appropriée pour vous assurer que l'alimentation est coupée.
- Remplacez tous les dispositifs, les portes et les couvercles avant de mettre l'appareil sous tension.

Si ces directives ne sont pas respectées, cela entraînera la mort ou des blessures graves.

Ces directives contiennent des détails spécifiques à l'installation des unités Altistart® 48 pour CCM.



Se reporter aux directives d'utilisation des centres de commande de moteurs Modèle 6 (80459-641-01_) et les directives d'installation dans cette section.

Identification de l'unité

L'étiquette d'identification de l'unité (représentée à la figure 3) est située sur la paroi interne de l'unité Altistart 48 pour CCM. L'étiquette d'identification de l'unité contient le numéro de commande de l'usine (F.O. NO.) et la tension nominale de l'unité (VOLTS). De plus, chaque démarreur progressif est muni d'une étiquette avec code à barres placée sur sa face avant, du côté droit. L'étiquette du code à barres contient le numéro de modèle du démarreur progressif (par exemple, ATS48D75Y).

Figure 3 : Étiquette d'identification de l'unité pour CCM

	F.O. NO.	12345678-001.001	UNIT LOC	1A
	WIRING DIAGRAM	E12345678-001-04-1		
	3 HP	VOLTS	480 AC	PHASE
	AMPS		PLANT	46
			ASSEMBLER	
FOR DISCONNECT ASSY. AND THERMAL NOS. SEE INSTALLATION AND MAINTENANCE MANUAL				
				80438-001-02 MADE IN USA 8996-9869



Noter les informations de l'étiquette d'identification de l'unité pendant la lecture de ces directives afin de déterminer les articles qui s'appliquent à l'installation. Ces informations sont également nécessaires lors de communications avec l'usine.

Câblage de contrôle

⚠ DANGER

RISQUE D'ÉLECTROCUTION, D'EXPLOSION OU D'ÉCLAIR D'ARC

- Portez un équipement de protection personnelle (ÉPP) approprié et observez les méthodes de travail électrique sécuritaire. Voir NFPA 70E.
- Seul un personnel qualifié doit effectuer l'installation et l'entretien de cet appareil.
- Coupez toutes les alimentations à cet appareil avant d'y travailler.
- Utilisez toujours un dispositif de détection de tension ayant une valeur nominale appropriée pour vous assurer que l'alimentation est coupée.
- Remplacez tous les dispositifs, les portes et les couvercles avant de mettre l'appareil sous tension.

Si ces directives ne sont pas respectées, cela entraînera la mort ou des blessures graves.

Les unités Altistart® 48 pour CCM comprennent un bornier de connexions sur place (FTB) (voir la figure 4) pour les entrées de commande des contrôles nécessaires du client et de certains contacts auxiliaires. Le FTB consiste en un bornier détachable typiquement situé sur le panneau inférieur des unités enfichables ou sur le panneau arrière des unités en section complète (voir les figures 5 et 6 aux pages 13 et 14).

Terminer le câblage de contrôle sur place à la partie amovible (supérieure) du bornier. Pour séparer ou retirer la partie supérieure du bornier de la base, saisir la moitié supérieure et tirer vers le haut (voir la figure 4).

Le bornier de connexions sur place est appelé « FTB » dans les figures de ces directives et sur les schémas de câblage livrés avec le CCM.

Chaque borne est homologuée pour un fil de calibre 16 à 12 AWG ou deux fils de calibre 16 AWG. Serrer les vis des bornes au couple de serrage de 0,6 N•m (5 lb-po).



En fonction des options de contrôle et d'alimentation commandées, plusieurs entrées et sorties analogiques ou numériques peuvent être disponibles aux borniers de contrôle situés sur le démarreur progressif Altistart® 48. Pour la disponibilité des E/S, se reporter au schéma de câblage livré avec l'unité Altistart 48 pour CCM. Pour les caractéristiques et les réglages des E/S, consulter le guide d'installation de l'Altistart 48.

Figure 4 : Bornier de connexions sur place détachable

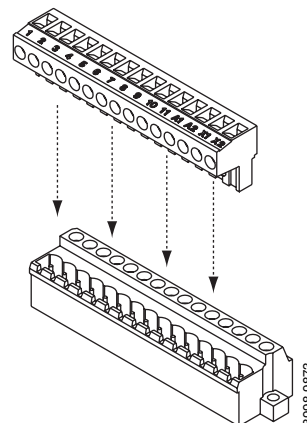


Figure 5 : Emplacement typique du bornier FTB pour les unités enfilables Altistart 48 pour CCM

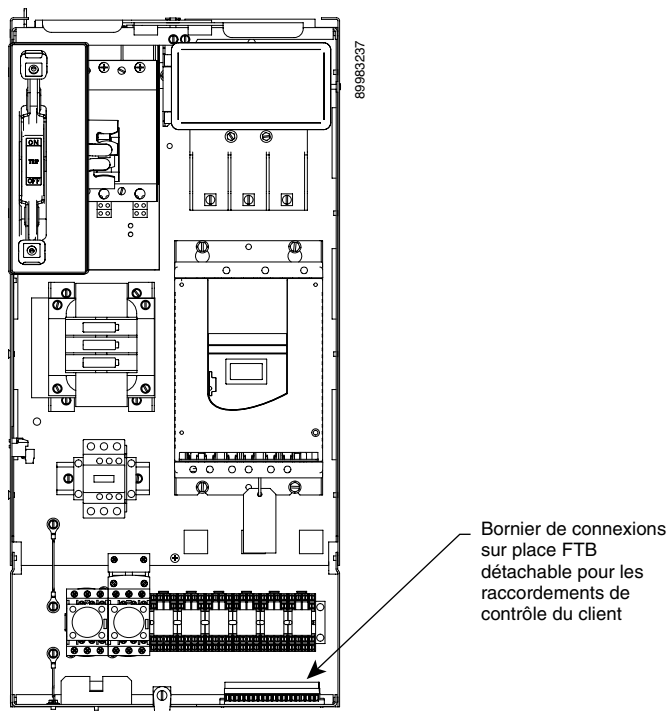
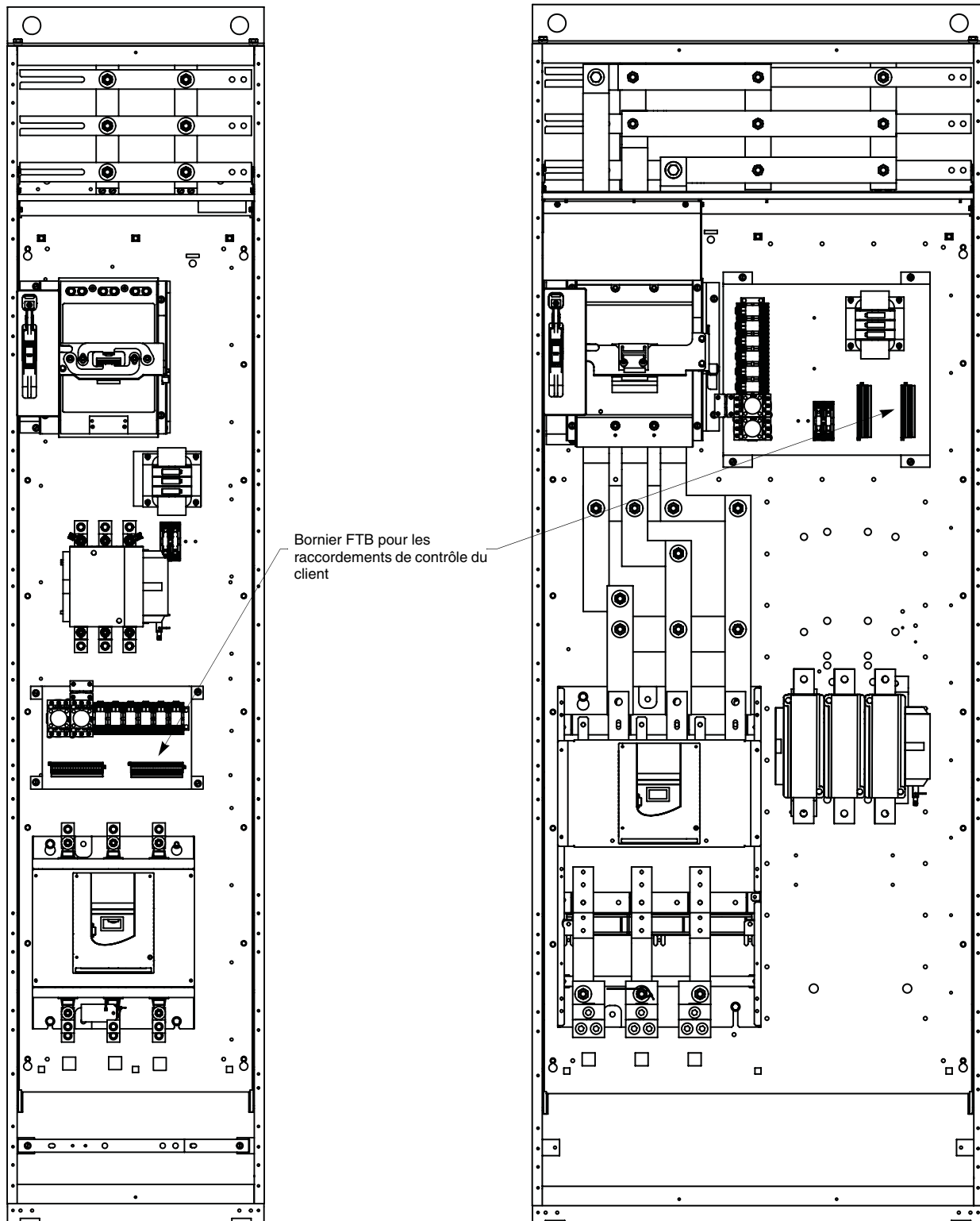


Figure 6 : Emplacement typique du bornier FTB pour les unités Altistart® 48 pour CCM en section complète



Câblage de charge

⚠ DANGER

RISQUE D'ÉLECTROCUTION, D'EXPLOSION OU D'ÉCLAIR D'ARC

- Portez un équipement de protection personnelle (ÉPP) approprié et observez les méthodes de travail électrique sécuritaire. Voir NFPA 70E.
- Seul un personnel qualifié doit effectuer l'installation et l'entretien de cet appareil.
- Coupez toutes les alimentations à cet appareil avant d'y travailler.
- Utilisez toujours un dispositif de détection de tension ayant une valeur nominale appropriée pour vous assurer que l'alimentation est coupée.
- Remplacez tous les dispositifs, les portes et les couvercles avant de mettre l'appareil sous tension.

Si ces directives ne sont pas respectées, cela entraînera la mort ou des blessures graves.

Les raccordements de charge vers le moteur doivent être terminés au bornier puissance se trouvant à la partie inférieure du démarreur progressif ATS48 (consulter le guide d'installation de l'Altistart® 48 pour leur emplacement). Les bornes de charge sont dénommées T1, T2 et T3 sur le démarreur progressif Altistart 48, sur les schémas de câblage de l'unité Altistart 48 pour CCM et dans le guide d'installation de l'Altistart 48. Voir l'étiquette de couple de serrage située près des bornes de charge pour le calibre des fils des bornes de charge et les exigences de couple de serrage.

Adaptation à la tension du réseau



Ce paragraphe remplace les informations incorporées dans la section Adaptation à la tension du réseau expliquée à la page 24 du guide d'installation de l'Altistart 48.

Chaque unité Altistart 48 pour CCM a été configurée à l'usine pour une certaine tension de réseau particulière comme spécifié avec la commande de l'appareil. Les tensions nominales disponibles sont 208 Vca, 240 Vca, 480 Vca et 600 Vca à 60 Hz. La tension nominale configurée à l'usine est indiquée sur l'étiquette d'identification de l'unité. Consulter l'usine si le matériel nécessite une modification de cette tension nominale.

SECTION 5—FONCTIONNEMENT

⚠ AVERTISSEMENT

FONCTIONNEMENT INATTENDU DE L'APPAREIL

- Lisez et comprenez bien le guide d'installation des démarreurs progressifs Altistart 48 de la gamme Y (30072-450-61) avant d'utiliser le terminal d'exploitation. La modification des paramètres affecte le fonctionnement du démarreur. La plupart des modifications de paramètre demande d'appuyer sur ENT.
- Verrouillez le terminal d'exploitation après avoir effectué le réglage des paramètres.
- Ne remettez pas les paramètres du démarreur progressif à des configurations autres que celles spécifiées sur les schémas de câblage livrés avec l'unité Altistart 48 pour CCM. Certains paramètres du démarreur réglés à l'usine sont essentiels pour les configurations d'alimentation et de contrôle de l'unité Altistart 48 pour CCM.
- Ne modifiez pas la programmation des dispositifs de contrôle ou contacteurs d'alimentation installés à l'usine.

Si ces directives ne sont pas respectées, cela peut entraîner la mort ou des blessures graves.



Avant d'utiliser l'unité Altistart 48, effectuer les procédures indiquées dans « Réglages d'usine » à la page 17.

Pour avoir des informations complètes concernant le fonctionnement d'une unité Altistart® 48 pour CCM, se reporter au guide d'installation de l'Altistart 48 et à tous schémas ou plans livrés avec l'unité.

Schémas des circuits

L'unité Altistart 48 pour CCM est un ensemble intégré qui peut avoir des schémas de contrôle et des composants différents de ceux indiqués dans le guide d'installation de l'Altistart 48. Les sections « Schémas des circuits de contrôle » et « Liste des composants recommandés » dans le guide d'installation de l'Altistart 48 sont remplacés par les documents fournis avec les unités Altistart 48 pour CCM. Les schémas des circuits spécifiques aux unités Altistart 48 pour CCM sont expédiés avec chaque unité.

Démarreur de contournement pleine tension intégré

En option, les unités Altistart 48 pour CCM peuvent comprendre un démarreur de contournement pleine tension qui offre la possibilité de contourner le démarreur progressif et de faire fonctionner le moteur en utilisant une méthode de démarrage pleine tension, à travers le réseau. Ce mode de fonctionnement peut être utilisé dans les cas où le démarreur progressif Altistart 48 est hors service par suite d'un défaut de protection alors que le procédé doit fonctionner jusqu'à ce qu'un arrêt pratique soit possible. La compatibilité des systèmes électriques et mécaniques pour une méthode de démarrage pleine tension doit être examinée avant d'utiliser ce mode de contournement. Le circuit comprend un sélecteur normal/arrêt/contournement monté sur la porte de l'unité, une logique de contrôle et un relais de surcharge séparé.

Le contacteur de contournement (by-pass) est contrôlé par le sélecteur normal/arrêt/contournement. En position « normal », le démarreur progressif contrôle le moteur. Le contacteur de contournement fonctionne également comme contacteur de court-circuit; il se fermera à la fin du cycle de démarrage progressif et s'ouvrira quand une commande d'arrêt sera donnée. La protection du moteur contre les surcharges est fournie par un

relais de surcharge transistorisé intégré dans le démarreur progressif Altistart 48.

En position de contournement, le contacteur d'entrée et le contacteur de contournement seront directement ouverts et fermés via la logique marche-arrêt du client. Le démarreur progressif ne contrôle pas le moteur en mode de contournement. Un relais de surcharge bimétallique séparé, compensé pour la température ambiante, est utilisé pour fournir la protection du moteur contre les surcharges.

Réglages d'usine

Le démarreur progressif Altistart 48 est pré-réglé à l'usine de sorte que, pour de nombreuses applications, il peut être utilisé sans aucun réglage. Les réglages d'usine sont basés sur les informations fournies avec la commande du matériel.

Le démarreur progressif Altistart 48 est géré par logiciel et a été pré-programmé afin de correspondre aux options d'alimentation et de contrôle achetées avec l'unité Altistart 48 pour CCM.



Ne modifier aucun réglage de paramètres de l'Altistart 48 pour CCM effectué à l'usine si de tels réglages sont indiqués sur les schémas de câblage fournis avec l'unité Altistart 48 pour CCM. Plusieurs réglages sont essentiels aux configurations d'alimentation et de contrôle de l'unité.

Pour obtenir des informations sur les réglages d'usine des CCM, consulter les informations concernant les paramètres sur le schéma de câblage de l'unité, lequel se trouve dans la documentation « Installation/entretien » comprise avec l'appareil expédié.

Avant de mettre l'unité sous tension pour la première fois, comparer le courant nominal figurant sur la plaque signalétique du moteur avec le courant de sortie dans les tableaux appropriés (en fonction de la puissance et de la tension nominale) à la section des caractéristiques techniques du guide d'installation de l'Altistart® 48. Si le courant nominal de la plaque signalétique du moteur ne se trouve pas dans les 40 à 100 % de la valeur indiquée dans le tableau, un démarreur progressif différent doit être utilisé.

Tableau 4 : Configuration d'usine

Courant nominal du moteur (I_n)	Pré-réglé pour correspondre au courant nominal du moteur à 460 V basé sur les valeurs nominales NFPA 70/NEC (É.-U.) tableau 430.150
Limitation de courant (ILt)	400 % du courant nominal du moteur I_n
Rampe d'accélération (ACC)	15 secondes
Couple initial au démarrage (tq_0)	20 % du couple nominal
Arrêt (StY)	Arrêt roue libre (-F-)
Protection thermique du moteur (tHP)	Courbe de protection thermique contre les surcharges, classe 10
Afficheur	rdY (démarreur progressif prêt) lorsque la tension d'alimentation et de contrôle est présente et que le moteur fonctionne.
Entrées logiques	<ul style="list-style-type: none"> • L11 • L12 • L13 • L14 <ul style="list-style-type: none"> • STOP (ARRÊT) • RUN (MARCHE) • Arrêt roue libre forcé (LIA) • Mode Forçage local (LIL)

Tableau 4 : Configuration d'usine (suite)

Sorties logiques <ul style="list-style-type: none"> • LO1 • LO2 	<ul style="list-style-type: none"> • Alarme thermique du moteur (tA1) • Moteur alimenté (rnl)
Sorties à relais <ul style="list-style-type: none"> • R1 • R2 • R3 	<ul style="list-style-type: none"> • Relais de défaut (r1F) • Relais de contournement à la fin du démarrage • Moteur alimenté (rnl)
Sortie analogique (AO)	Courant du moteur (OCr, 0 à 20 mA)
Paramètres de communication	<ul style="list-style-type: none"> • Lorsqu'il est raccordé au moyen d'une liaison en série, le démarreur progressif a une adresse logique (Add) de 0 • Vitesse de transmission (tbr) : 19 200 bits par seconde • Format de communication (FOr) : 8 bits, sans parité, 1 bit d'arrêt (8nl)

Procédure minimale de mise en service

Plusieurs paramètres des trois niveaux de menus du démarreur progressif peuvent être réglés afin de personnaliser le démarreur progressif pour l'application.

Les articles clés suivants doivent être vérifiés et réglés, si nécessaire, avant de faire fonctionner le moteur :

- Paramètre du courant nominal pour le moteur (I_n) (réglable au moyen du terminal d'exploitation)
- Le relais de surcharge bimétallique du moteur (si un démarreur de contournement pleine tension, est fourni)

Le paramètre du courant nominal du moteur peut être réglé au moyen du terminal d'exploitation ainsi que tous les paramètres programmables de l'Altistart 48. Un interrupteur d'accès à l'arrière du terminal d'exploitation fournit trois niveaux d'accès aux paramètres. L'interrupteur peut être réglé afin d'empêcher tout réglage des paramètres. (C'est le réglage par défaut lorsqu'il est expédié de l'usine; autrement dit, les paramètres sont verrouillés à l'usine pour empêcher une modification accidentelle.)

Pour régler les paramètres, suivre les points ci-après.

1. Mettre l'unité Altistart 48 pour CCM hors tension en plaçant le sectionneur sur la position d'arrêt (O).
2. Couper toutes les alimentations à cet appareil avant d'y travailler et observer toutes les procédures d'interverrouillage et d'étiquetage. Toujours utiliser un dispositif de détection de tension ayant une valeur nominale appropriée pour s'assurer que l'alimentation est coupée.
3. Ouvrir la porte de l'unité Altistart 48 pour CCM et trouver l'interrupteur d'accès.



Le terminal d'exploitation n'a pas besoin d'être retiré pour régler les paramètres du démarreur progressif Altistart® 48.

Se reporter à la section sur le terminal d'exploitation à distance aux pages 19 et 20 du guide d'installation de l'Altistart 48.

Courant nominal du moteur (I_n)

Les pré-réglages de l'usine pour le courant nominal du moteur, I_n , sont indiqués dans le tableau 5 ci-après. Si le courant nominal à pleine charge du moteur ne se trouve pas entre 95 et 105 % de la valeur pré-réglée à l'usine du démarreur progressif Altistart 48, ou si un moteur à facteur de service de 1,0 est utilisé, le démarreur doit être réglé pour obtenir une protection et une performance optimales du moteur.

La protection thermique transistorisée contre les surcharges est une fonction standard fournie par le démarreur progressif Altistart 48. Pour les moteurs à service continu ayant des facteurs de service de 1,0 à 1,25, régler I_n en utilisant 100 % du courant de pleine charge indiqué sur la plaque signalétique du moteur. Se reporter à la protection du moteur et aux diagnostics, pages 33 à 35 du guide d'installation de l'Altistart 48 pour les détails sur la protection contre les surcharges.

Tableau 5 : Réglages d'usine du courant nominal du moteur

Modèle Altistart 48	Réglage d'usine du courant nominal du moteur (I_n)
ATS48D17Y	14
ATS48D22Y	21
ATS48D32Y	27
ATS48D38Y	34
ATS48D47Y	40
ATS48D62Y	52
ATS48D75Y	65
ATS48D88Y	77
ATS48C11Y	96
ATS48C14Y	124
ATS48C17Y	156
ATS48C21Y	180
ATS48C25Y	240
ATS48C32Y	302
ATS48C41Y	361
ATS48C48Y	414
ATS48C59Y	477
ATS48C66Y	590

Unités de relais de surcharge de moteur avec démarreur de contournement pleine tension intégré

Un relais de surcharge supplémentaire est utilisé conjointement avec le démarreur progressif; voir la sélection des relais de surcharge dans le tableau 6. Le relais de surcharge supplémentaire du moteur fourni avec l'unité est un relais de surcharge bimétallique classe 20 compensé pour la température ambiante. Le relais de surcharge doit être vérifié afin de s'assurer que le réglage du courant est correct en fonction de courant réel de pleine charge du moteur. Couper toutes les alimentations à cet appareil avant d'y travailler et observer toutes les procédures d'interverrouillage et d'étiquetage. Toujours utiliser un dispositif de détection de tension ayant une valeur nominale appropriée pour s'assurer que l'alimentation est coupée. Tous les relais de surcharge réglables sont configurés à l'usine pour le réglage de déclenchement minimum.

Le tableau 6 indique le numéro de pièce du relais de surcharge du moteur fourni avec chaque unité Altistart® 48 pour CCM lorsque l'option de démarreur de contournement pleine tension intégré est fournie.

Tableau 6 : Sélection du relais de surcharge pour l'unité Altistart 48 pour CCM avec un démarreur de contournement pleine tension intégré utilisant des contacteurs IEC uniquement¹

Courant de pleine charge en ampères	N° de cat. du relais de surcharge
9–13	LRD1516
12–18	LRD1521
17–25	LRD1522
25–32	LRD1532
30–40	LR2D3555
37–50	LR2D3557
48–65	LR2D3559
55–70	LR2D3561
63–80	LR2D3563
60–100	LR9F5567
90–150	LR9F5569
132–220	LR9F5571
200–330	LR9F7575
300–500	LR9F7579
380–630	LR9F7581

¹ Les unités avec contacteurs NEMA et un démarreur de contournement pleine tension intégré comprennent des relais de surcharge biméalliques classe 8536 compensés pour la température ambiante qui exigent des unités thermiques.

SECTION 6—ENTRETIEN

⚠ DANGER

RISQUE D'ÉLECTROCUTION, D'EXPLOSION OU D'ÉCLAIR D'ARC

- Portez un équipement de protection personnelle (ÉPP) approprié et observez les méthodes de travail électrique sécuritaire. Voir NFPA 70E.
- Seul un personnel qualifié doit effectuer l'installation et l'entretien de cet appareil.
- Coupez toutes les alimentations à cet appareil avant d'y travailler.
- Utilisez toujours un dispositif de détection de tension ayant une valeur nominale appropriée pour vous assurer que l'alimentation est coupée.
- Remplacez tous les dispositifs, les portes et les couvercles avant de mettre l'appareil sous tension.

Si ces directives ne sont pas respectées, cela entraînera la mort ou des blessures graves.

Recommandation des fusibles de puissance

Les unités Altistart 48 pour CCM sont fournies avec soit un disjoncteur thermomagnétique, soit un sectionneur automatique à boîtier moulé à lames visibles à fusibles.

Les unités fournies avec des sectionneurs à fusibles exigent que l'utilisateur fournisse et installe les fusibles de puissance. Couper toutes les alimentations à cet appareil avant d'y travailler et observer toutes les procédures d'interverrouillage et d'étiquetage. Toujours utiliser un dispositif de détection de tension ayant une valeur nominale appropriée pour s'assurer que l'alimentation est coupée. Les fusibles peuvent être choisis à partir du tableau 7 ci-après. Toutes les dispositifs de montage de fusibles dans les unités Altistart® 48 pour CCM acceptent les fusibles UL classe J ou L, selon le courant nominal de pleine charge.



Le tableau 7 remplace les recommandations et références des fusibles de type et de taille indiqués dans les tableaux 8 et 33 du guide d'installation de l'Altistart 48.

Tableau 7 : Sélection des fusibles de puissance pour l'unité Altistart 48 pour CCM avec sectionneur à fusibles

Puissance de l'unité à				Remplacement Square D		Altistart 48		
208 V	240 V	480 V	600 V	Classe/valeur nominale des fusibles de puissance	Numéro de pièce des fusibles de puissance	Fabricant et n° de pièce des fusibles	N° de catalogue des démarreurs progressifs	
3	-	-	-	J/20A	25423-30200	Bussman® LPJ-20	ATS48D17Y	
				J/20A	25423-20200	Littelfuse® JTD-20		
				J/20A		Shawmut ATJ-20		
-	5	10	-	J/25A	25423-30250	Bussman LPJ-25		
				J/25A	25423-20250	Littelfuse JTD-25		
				J/25A		Shawmut ATJ-25		
-	-	-	15	J/30A	25423-30300	Bussman LPJ-30		
				J/30A	25423-20300	Littelfuse JTD-30		
				J/30A		Shawmut ATJ-30		
5	-	-	-	J/30A	25423-30300	Bussman LPJ-30	ATS48D22Y	
				J/30A	25423-20300	Littelfuse JTD-30		
				J/30A		Shawmut ATJ-30		
-	-	15	-	J/35A	25423-30350	Bussman LPJ-35		
				J/35A		Littelfuse JTD-35		
				J/35A		Shawmut ATJ-35		
-	7.5	-	20	J/40A	25423-30400	Bussman LPJ-40		
				J/40A	25423-20400	Littelfuse JTD-40		
				J/40A		Shawmut ATJ-40		
7.5	-	20	25	J/45A	25423-30450	Bussman LPJ-45	ATS48D32Y	
				J/45A		Littelfuse JTD-45		
				J/45A		Shawmut ATJ-45		
-	10	-	-	J/50A	25423-30500	Bussman LPJ-50		
				J/50A	25423-20500	Littelfuse JTD-50		
				J/50A		Shawmut ATJ-50		
10	-	-	-	J/50A	25423-30500	Bussman LPJ-50		ATS48D38Y
				J/50A	25423-20500	Littelfuse JTD-50		
				J/50A		Shawmut ATJ-50		
-	-	25	30	J/60A	25423-30600	Bussman LPJ-60		
				J/60A	25423-20600	Littelfuse JTD-60		
				J/60A		Shawmut ATJ-60		
-	15	30	40	J/70A	25423-30700	Bussman LPJ-70	ATS48D47Y	
				J/70A	25423-20700	Littelfuse JTD-70		
				J/70A		Shawmut ATJ-70		
15	-	-	-	J/80A	25423-30800	Bussman LPJ-80		ATS48D62Y
				J/80A	25423-20800	Littelfuse JTD-80		
				J/80A		Shawmut ATJ-80		
-	20	40	50	J/90A	25423-30900	Bussman LPJ-80		
				J/90A	25423-20900	Littelfuse JTD-80		
				J/90A		Shawmut ATJ-80		

Tableau 7 : Sélection des fusibles de puissance pour l'unité Altistart 48 pour CCM avec sectionneur à fusibles (suite)

Puissance de l'unité à				Remplacement Square D		Altistart 48		
208 V	240 V	480 V	600 V	Classe/valeur nominale des fusibles de puissance	Numéro de pièce des fusibles de puissance	Fabricant et n° de pièce des fusibles	N° de catalogue des démarreurs progressifs	
20	-	-	-	J/100A	25423-31000	Bussman LPJ-100	ATS48D75Y	
				J/100A	25423-21000	Littelfuse JTD-100		
				J/100A		Shawmut ATJ-100		
-	-	50	60	J/110A	25423-31100	Bussman LPJ-110		
				J/110A	25423-21100	Littelfuse JTD-110		
				J/110A		Shawmut ATJ-110		
-	25	-	-	J/125A	25423-31250	Bussman LPJ-125		
				J/125A	25423-21250	Littelfuse JTD-125		
				J/125A		Shawmut ATJ-125		
25	-	60	75	J/125A	25423-31250	Bussman LPJ-125	ATS48D88Y	
				J/125A	25423-21250	Littelfuse JTD-125		
				J/125A		Shawmut ATJ-125		
-	30	-	-	J/150A	25423-31500	Bussman LPJ-150		
				J/150A	25423-21500	Littelfuse JTD-150		
				J/150A		Shawmut ATJ-150		
30	-	-	-	J/150A	25423-31500	Bussman LPJ-150		ATS48C11Y
				J/150A	25423-21500	Littelfuse JTD-150		
				J/150A		Shawmut ATJ-150		
-	40	75	100	J/175A	25423-31750	Bussman LPJ-175		
				J/175A	25423-21750	Littelfuse JTD-175		
				J/175A		Shawmut ATJ-175		
40	-	-	-	J/200A	25423-32000	Bussman LPJ-200	ATS48C14Y	
				J/200A	25423-22000	Littelfuse JTD-200		
				J/200A		Shawmut ATJ-200		
-	50	100	125	J/225A	25423-32250	Bussman LPJ-200		
				J/225A	25423-22250	Littelfuse JTD-200		
				J/225A		Shawmut ATJ-200		
50	60	125	150	J/250A	25423-32500	Bussman LPJ-250		ATS48C17Y
				J/250A	25423-22500	Littelfuse JTD-250		
				J/250A		Shawmut ATJ-250		
60	-	150	-	J/300A	25423-33000	Bussman LPJ-300	ATS48C21Y	
				J/300A	25423-23000	Littelfuse JTD-300		
				J/300A		Shawmut ATJ-300		
-	75	-	200	J/350A	25423-33500	Bussman LPJ-350		
				J/350A	25423-23500	Littelfuse JTD-350		
				J/350A		Shawmut ATJ-350		
75	-	-	-	J/350A	25423-33500	Bussman LPJ-350		ATS48C25Y
				J/350A	25423-23500	Littelfuse JTD-350		
				J/350A		Shawmut ATJ-350		
-	100	200	250	J/400A	25423-34000	Bussman LPJ-400		
				J/400A	25423-24000	Littelfuse JTD-400		
				J/400A		Shawmut ATJ-400		

Tableau 7 : Sélection des fusibles de puissance pour l'unité Altistart 48 pour CCM avec sectionneur à fusibles (suite)

Puissance de l'unité à				Remplacement Square D		Altistart 48	
208 V	240 V	480 V	600 V	Classe/valeur nominale des fusibles de puissance	Numéro de pièce des fusibles de puissance	Fabricant et n° de pièce des fusibles	N° de catalogue des démarreurs progressifs
100	-	-	-	J/450A	25423-34500	Bussman LPJ-450	ATS48C32Y
				J/450A	25423-24500	Littelfuse JTD-450	
				J/450A		Shawmut ATJ-450	
-	125	250	300	J/500A	25423-35000	Bussman LPJ-500	
				J/500A	25423-25000	Littelfuse JTD-500	
				J/500A		Shawmut ATJ-500	
125	150	300	350	J/600A	25423-36000	Bussman LPJ-600	ATS48C41Y
				J/600A	25423-26000	Littelfuse JTD-600	
				J/600A		Shawmut ATJ-600	
150	-	350	400	L/700A	25432-10700	Bussman KRP-C-700	ATS48C48Y
				L/700A		Littelfuse KLP-C-700	
				L/700A		Shawmut A4BQ-700	
-	200	400	500	L/800A	25432-10800	Bussman KRP-C-800	ATS48C59Y
				L/800A		Littelfuse KLP-C-800	
				L/800A		Shawmut A4BQ-800	
200	-	-	-	L/900A	25432-10900	Bussman KRP-C-900	ATS48C66Y
				L/900A		Littelfuse KLP-C-900	
				L/900A		Shawmut A4BQ-900	
-	250	500	600	L/1000A	25432-11000	Bussman KRP-C-1000	ATS48C66Y
				L/1000A		Littelfuse KLP-C-1000	
				L/1000A		Shawmut A4BQ-1000	

FRANÇAIS

Directives d'utilisation
Unités de démarrage progressif Altistart® 48 dans les CCM

Schneider Electric Canada

19 Waterman Avenue,
M4B 1 Y2
Toronto, Ontario
1-800-565-6699
www.schneider-electric.ca

Seul un personnel qualifié doit effectuer l'installation, l'utilisation, l'entretien et la maintenance du matériel électrique. Schneider Electric n'assume aucune responsabilité des conséquences éventuelles découlant de l'utilisation de cette documentation.

80438-069-02B © 2004–2006 Schneider Electric Tous droits réservés
Remplace 80438-069-01A, 02/2004

Altistart® 48 Soft Start Units in MCCs
Unidades de arranque suave Altistart® 48 en CCM
Unités de démarrage progressif Altistart® 48 dans les CCM

Electrical equipment should be installed, operated, serviced, and maintained only by qualified personnel. No responsibility is assumed by Schneider Electric for any consequences arising out of the use of this material.

Schneider Electric USA

1990 Sandifer Blvd.
Seneca, SC 29678 USA
1-888-SquareD (1-888-778-2733)
www.us.SquareD.com

80438-069-02B
Replaces 80438-069-02A, 02/2004
© 2004–2006 Schneider Electric
All Rights Reserved

Solamente el personal especializado deberá instalar, hacer funcionar y prestar servicios de mantenimiento al equipo eléctrico. Schneider Electric no asume responsabilidad alguna por las consecuencias emergentes de la utilización de este material.

Importado en México por:
Schneider Electric México, S.A. de C.V.

Calz. J. Rojo Gómez 1121-A
Col. Gpe. del Moral 09300 México, D.F.
Tel. 55-5804-5000
www.schneider-electric.com.mx

80438-069-02B
Reemplaza 80438-069-02A, 02/2004
© 2004–2006 Schneider Electric
Reservados todos los derechos

Seul un personnel qualifié doit effectuer l'installation, l'utilisation, l'entretien et la maintenance du matériel électrique. Schneider Electric n'assume aucune responsabilité des conséquences éventuelles découlant de l'utilisation de cette documentation.

Schneider Electric Canada

19 Waterman Avenue, M4B 1 Y2
Toronto, Ontario
1-800-565-6699
www.schneider-electric.ca

80438-069-02B
Remplace 80438-069-02A, 02/2004
© 2004–2006 Schneider Electric
Tous droits réservés



California Proposition 65 Warning—Nickel Compounds and Bisphenol A (BPA)

Advertencia de la Proposición 65 de California— compuestos de níquel y Bisfenol A (BPA)

Avertissement concernant la Proposition 65 de Californie— composés de nickel et Bisphénol A (BPA)

⚠ WARNING: This product can expose you to chemicals including Nickel compounds, which are known to the State of California to cause cancer, and Bisphenol A (BPA), which is known to the State of California to cause birth defects or other reproductive harm. For more information go to www.P65Warnings.ca.gov.

⚠ ADVERTENCIA: Este producto puede exponerle a químicos incluyendo compuestos de níquel, que son conocidos por el Estado de California como causantes de cáncer, y Bisfenol A (BPA), que es conocido por el Estado de California como causante de defectos de nacimiento u otros daños reproductivos. Para mayor información, visite www.P65Warnings.ca.gov.

⚠ AVERTISSEMENT: Ce produit peut vous exposer à des agents chimiques, y compris composés de nickel, identifiés par l'État de Californie comme pouvant causer le cancer, et Bisphénol A (BPA) reconnu par l'État de Californie comme pouvant causer des malformations congénitales ou autres troubles de l'appareil reproducteur. Pour de plus amples informations, prière de consulter www.P65Warnings.ca.gov.

All trademarks are the property of Schneider Electric SE, its subsidiaries, and affiliated companies.

Schneider Electric USA, Inc.
800 Federal Street
Andover, MA 01810 USA
888-778-2733
www.schneider-electric.us

Todas las marcas comerciales son propiedad de Schneider Electric SE, sus filiales y compañías afiliadas.

Importado en México por:
Schneider Electric México, S.A. de C.V.
Av. Ejercito Nacional No. 904
Col. Palmas, Polanco 11560 México, D.F.
55-5804-5000
www.schneider-electric.com.mx

Toutes les marques commerciales sont la propriété de Schneider Electric SE, ses filiales et compagnies affiliées.

Schneider Electric Canada, Inc.
5985 McLaughlin Road
Mississauga, ON L5R 1B8 Canada
800-565-6699
www.schneider-electric.ca