



**Product Datasheet**


**ANDERSON FARGO**

**CFS139105N -- Suspension Clamp**



Suspension Clamp, Aluminum, EHV or Std Voltage, for use with conductors 1.18 - 1.39 with fitting: None

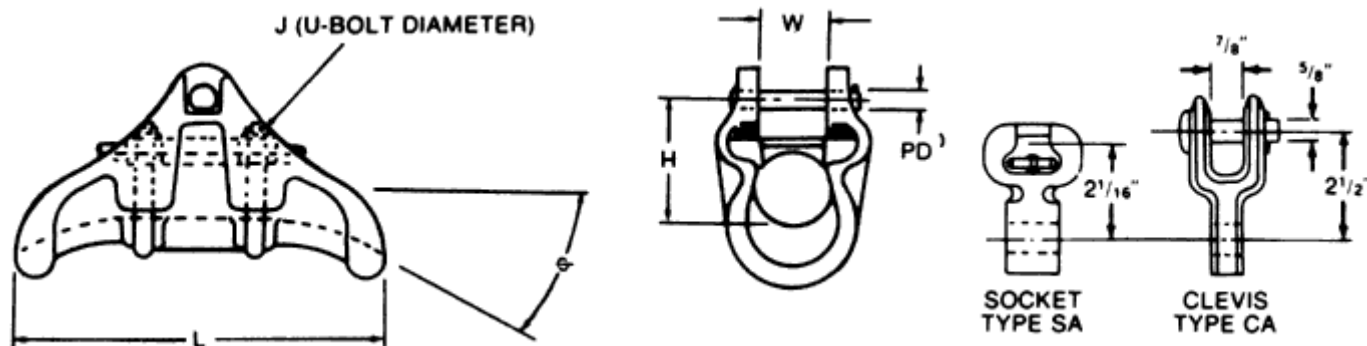
**Product Specifications**

|                                  |                                                                                                                                                                                                                                                                 |
|----------------------------------|-----------------------------------------------------------------------------------------------------------------------------------------------------------------------------------------------------------------------------------------------------------------|
| Series                           |  <p>CFS-L series<br/>EHV or Standard Voltage<br/>Aluminum<br/>for use w/o armor rods</p>                                                                                     |
| PDF Catalog Page                 | <a href="#">Click HERE to view the web page.</a>                                                                                                                                                                                                                |
| Fitting                          | None                                                                                                                                                                                                                                                            |
| Clamp Material                   | Aluminum                                                                                                                                                                                                                                                        |
| Fitting Catalog No.              | -                                                                                                                                                                                                                                                               |
| Ultimate Body Strength           | 25,000 lbs (11,340 kgs)                                                                                                                                                                                                                                         |
| Maximum Take-off Angle 0         | 17.5                                                                                                                                                                                                                                                            |
| Dimension H                      | 2.88 in (73.0 mm)                                                                                                                                                                                                                                               |
| Dimension J                      | 0.500 in (12.7 mm)                                                                                                                                                                                                                                              |
| Dimension L                      | 10.5 in (267 mm)                                                                                                                                                                                                                                                |
| Dimension W                      | 1.53 in (38.9 mm)                                                                                                                                                                                                                                               |
| Dimension PD                     | 0.625 in (15.9 mm)                                                                                                                                                                                                                                              |
| Hardware Material                | Galvanized Steel                                                                                                                                                                                                                                                |
| Minimum - Maximum Conductor Size | AAC 1100 kcmil (91) Thru AAC 556.5 kcmil (37) w/Armor Rods<br>AAAC 466.3 kcmil str (19) w/Armor Rods Thru AAAC 559.6 kcmil str (19) w/Armor Rods<br>ACSR 1033.5 kcmil (36/1) Thru ACSR 477.0 kcmil (30/7) w/Armor Rods<br>ACAR 1080.6 kcmil (24/13) Thru ACAR 5 |
| Clamping Range                   | 1.18 - 1.39 in (29.97 - 35.31 mm)                                                                                                                                                                                                                               |
| Voltage Application              | EHV                                                                                                                                                                                                                                                             |

|                              |              |
|------------------------------|--------------|
| <b>Material Type</b>         | Non-Standard |
| <b>UPC Code</b>              | 09635929875  |
| <b>Standard Package</b>      | 9            |
| <b>Standard Package Unit</b> | Each         |
| <b>Min Order Qty</b>         | 1            |
| <b>Weight / Ea.</b>          | 4.606 lbs    |

### Compressed Product Number

CFS13910.5N



[Catalog Home](#)



[Warranty Info](#) | [Trademarks](#) | [Terms of Use](#)

All contents Copyright © 2007 Hubbell Power Systems, Inc. All rights reserved.

NOTE: Because Hubbell has a policy of continuous product improvement, we reserve the right to change design and specifications without notice.