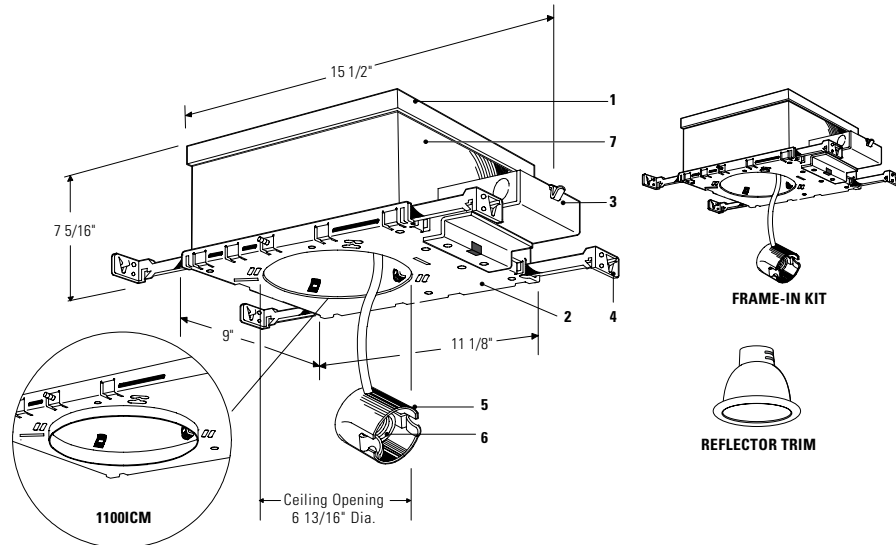


| | | |
|-----------|---------------|--------|
| Project: | Catalog No: | Mfg: |
| Location: | Fixture Type: | Qty: |
| Notes: | | Lamps: |



Complete Fixture consists of Reflector Trim & Frame-In Kit. Select each separately.

| Frame-In Kit | Reflector Trims — See Individual Reflector Trim Specification Sheets | | | | | | | | | | | |
|---|--|---|----------------|---|--|---------------|---------------------|--|------------------------------|--|---------------|-------------|
| | Open Downlight | | | | | | | Adjustable | | Enclosed Diffuser | Open Wet | Wall Washer |
| Reflector | Cone | Satin Cone | Sloped Ceiling | Baffles | Basic White | Cross Blade | Recessed Line Volt. | Eyeball | | | | |
| 1100IC | 1143 | 1112 | 1108† | 1131 | 1105 | 1170M1 | 1132 | 1129* | 1122 | 1121 | 1184WH | 1185 |
| 1100ICM 3/8" Integral Plaster Lip | 1144 1144CD | 1113* 1113BK* 1113CD* 1113WH | 1110† | 1131WH 1131CL 1175 1131BK 1176 1133 1176WH 1133WH 1133CL 1133BK 1154 | 1105WH 1175 1176 1176WH | 1171 | | 1129CD* 1129WH 1129CL* 1129BK | 1122WH 1182 | 1124 1126 1128 1177SH 1178SH 1190 | 1184CD | |

* Add NM to catalog number for Natural Metal flange finish.

Features

- Housing:** 0.026" (#20 ga.) galvanized steel. U.L. listed for direct contact with thermal insulation. Access door for inspection of junction box.
- Mounting Frame:** 0.036" (#20 ga.) galvanized steel. Accommodates all ceilings up to 1" thick. ICM version has 3/8" deep integral lip. Four slots are positioned 90° apart to simplify alignment. Push-in/twist-out rotoclips hold reflector flush to ceiling.
- Junction Box:** 2" x 4" x 4", 0.063" (#14 ga.) galvanized steel. U.L. listed for, maximum of 6 No. 12 ga., 90°C through branch circuit conductors. Quick release "L" shaped cover for outside access to wiring. Access door inside of housing allows easy inspection of wiring without removal of housing. Integral cable clamps permit attachment of nonmetallic Romex® or armored cable without the need for additional connectors.
- Mounting Bars:** 0.059" (#16 ga.) galvanized steel. 13" long bars extend to 27", rotatable and lockable, with integral T-bar tabs. Attach to wood joist or T-bar ceilings without need of accessories.
- Socket Housing:** Impact extruded aluminum or galvanized steel.
- Socket:** Porcelain medium base; nickel plated screw shell. Pre-wired with #18 ga. SF1 leads to junction box.
- Thermal Protector:** Meets NEC and U.L. requirements. Located inside housing.

Options & Accessories

- Mounting Bars:** 1976 - 13" set of (4)
- Plaster Ceiling Ring:** 1961 - 7/8" depth for wet plaster ceilings. Not for use with ICM housing.
- Extra-Thick Ceiling Mounting Ring:** 1967A - up to 2" thick ceilings.

Labels

UL (Type I.C., Suitable for Damp Locations), I.B.E.W.

Romex® is a registered trademark of General Cable Industries Inc.