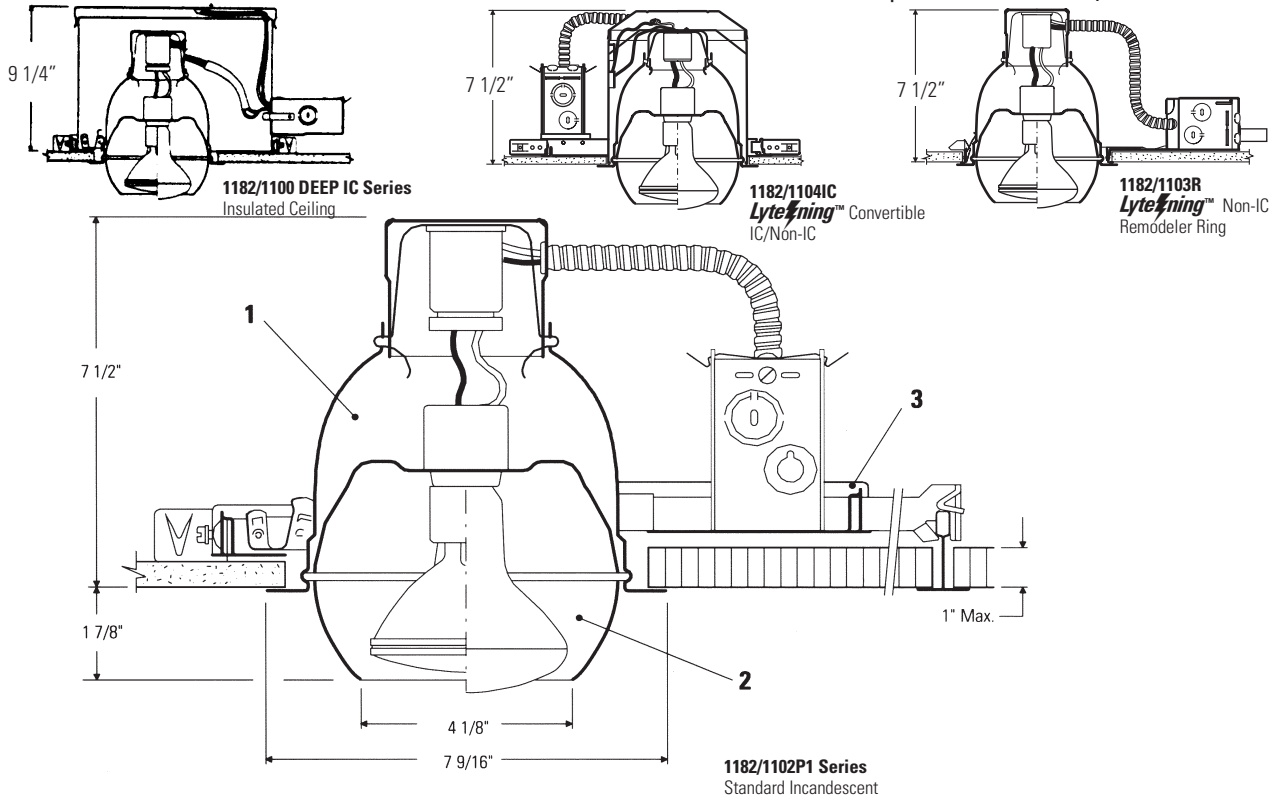




Lytecaster® Recessed Downlighting **1182**

Page 1 of 2

6 3/4" Aperture Basic Eyeball Reflector Trim ^{40°}



Complete Fixture consists of Reflector Trim & Frame-In Kit. Select each separately.

Reflector Trim	Frame-In Kit — See Individual Frame-In Kit Specification Sheets			
	Incandescent			
	Frame-In Kit	Installation Type	Lamping	Height
1182 Gloss White	1102P1	Non-IC	75W, PAR30*	7 1/2"
	1103R	Non-IC Remodeler	85W BR30	7 1/2"
	1100IC	IC		7 5/16"
	1100AICM	AirSeal®IC		7 5/16"
	1100DICM	Deep IC	75W PAR30*	9 1/4"
	1100DAICM	Deep AirSeal®IC	85W BR30	9 1/4"
	1104IC/N	AirSeal®IC		7 1/2"
	1104ICR	IC Remodeler		7 1/2"
	1104ICX/N	AirSeal®IC		7 1/4"
	1104IC/N	Non-IC	75W PAR30	7 1/2"
	1104ICR	Non-IC Remodeler	85W BR30	7 1/2"

* Use socket extender 1968 for short neck PAR30 lamp.

Features

- Housing:** Hydroformed aluminum, .040" thick (18 ga.); Perma white or polished brass trim flange.
- Eyeball Housing:** Die-formed, one piece, aluminum, .040" thick (18 ga.); provides 358° horizontal rotation and 0° to 40° vertical adjustment, non-yellowing, scuff-resistant Perma-White.
- Frame-In Kit:** (1102P1 standard frame shown). Other frames listed above and shown on the right. See Frame-In Kit specification sheets for more details.

Options & Accessories

Medium Base Socket Extender: 1968 - For short neck PAR30

Labels

UL (Suitable for Damp Locations), I.B.E.W.

Job Information

Type:

Job Name:

Cat. No.:

Lamp(s):

Notes:

Lightolier a Genlyte company www.lightolier.com
 631 Airport Road, Fall River, MA 02720 • (508) 679-8131 • Fax (508) 674-4710
 We reserve the right to change details of design, materials and finish.
 © 2012 Genlyte Group LLC • G0212

LIGHTOLIER®



Lighting Performance Data

	Narrow				Medium																			
	50W PAR30 NSP (T-H)		75W PAR30 NSP (T-H)		50W PAR30 NFL (T-H)		75W R30 SP		75W PAR30 NFL (T-H)															
DISTANCE																								
FOOTCANDLES (On Beam Center At 6')	181		291		49		43		83															
BEAM SPREAD (To 50% Max. CP)	12°		12°		32°		26°		32°															
MAX. CANDLEPOWER (Candelas)	6,500		10,500		1,750		1,540		3,000															
RATED LIFE (Hours)	2,000		2,000		2,000		2,000		2,000															
0° AIMING ANGLE Illumination on Horizontal Plane																								
	D	FC	L	W	D	FC	L	W	D	FC	L	W	D	FC	L	W	D	FC	L	W				
	6'	181	1.3'	1.3'	8'	164	1.7'	1.7'	4'	109	2.3'	2.3'	4'	96	1.8'	1.8'	6'	83	3.4'	3.4'	8'	47	4.6'	4.6'
	10'	65	2.1'	2.1'	16'	41	3.4'	3.4'	8'	27	4.6'	4.6'	8'	24	3.7'	3.7'	10'	30	5.7'	5.7'	12'	21	6.9'	6.9'
30° AIMING ANGLE Illumination on Horizontal Plane																								
	D	FC	L	W	D	FC	L	W	D	FC	L	W	D	FC	L	W	D	FC	L	W				
	5'	169	1.4'	1.2'	7'	139	2.0'	1.7'	3'	126	2.4'	2.0'	3'	111	1.9'	1.6'	5'	78	3.9'	3.3'	7'	40	5.5'	4.6'
	11'	35	3.1'	2.7'	16'	27	4.5'	3.9'	9'	14	7.1'	6.0'	9'	12	5.6'	4.8'	11'	16	8.6'	7.3'				
30° AIMING ANGLE Illumination on Vertical Plane																								
	D	FC	L	W	D	FC	L	W	D	FC	L	W	D	FC	L	W	D	FC	L	W				
	2'	203	1.7'	0.8'	3'	146	2.6'	1.3'	1'	219	3.0'	1.1'	1'	193	2.2'	0.9'	2'	94	6.1'	2.3'	3'	42	9.1'	3.4'
	5'	33	4.3'	2.1'	6'	36	5.2'	2.5'	4'	14	12.2'	4.6'	4'	12	8.8'	3.7'	5'	15	15.2'	5.7'				

	Wide															
	50W PAR30 FL (T-H)		75W R30 FL		75W PAR30 FL (T-H)		100W R30 FL									
DISTANCE																
FOOTCANDLES (On Beam Center At 6')	31		11		50		18									
BEAM SPREAD (To 50% Max. CP)	42°		81°		42°		60°									
MAX. CANDLEPOWER (Candelas)	1,100		400		1,800		680									
RATED LIFE (Hours)	2,000		2,000		2,000		2,000									
0° AIMING ANGLE Illumination on Horizontal Plane																
	D	FC	L	W	D	FC	L	W	D	FC	L	W	D	FC	L	W
	3'	122	2.3'	2.3'	2'	100	3.4'	3.4'	4'	113	3.1'	3.1'	2'	170	2.3'	2.3'
	9'	14	6.9'	6.9'	8'	6	13.7'	13.7'	10'	18	7.7'	7.7'	8'	11	9.2'	9.2'
30° AIMING ANGLE Illumination on Horizontal Plane																
	D	FC	L	W	D	FC	L	W	D	FC	L	W	D	FC	L	W
	3'	79	3.2'	2.7'	2'	65	6.0'	3.9'	3'	130	3.2'	2.7'	2'	110	3.5'	2.7'
	9'	9	9.7'	8.0'	8'	4	24.1'	15.8'	9'	14	9.7'	8.0'	8'	7	13.9'	10.7'
30° AIMING ANGLE Illumination on Vertical Plane																
	D	FC	L	W	D	FC	L	W	D	FC	L	W	D	FC	L	W
	1'	138	5.5'	1.5'	1'	50	†	1.3'	1'	255	5.5'	1.5'	1'	85	†	2.3'
	4'	9	22.0'	6.1'	4'	3	†	2.5'	4'	14	22.0'	6.1'	4'	5	†	9.2'

† Exceeds useable limits.

Data are based on bare lamp photometrics.
FC is initial footcandles at center of beam. **L** and **W** are to the point that the candlepower drops 50% of maximum

Beam Center Location	
Distance D (ft.)	1 2 3 4 5 6 7 8 9 10
Distance C (ft.)	1.7 3.5 5.2 6.9 8.7 10.4 12.1 13.8 15.6 17.3
This chart locates the distance (C) to the center of the light beam for various distances (D) when the lamp is aimed 30° from vertical, the preferred aiming angle for lighting pictures on a wall	

Job Information Type:

Lightolier a Genlyte company www.lightolier.com
 631 Airport Road, Fall River, MA 02720 • (508) 679-8131 • Fax (508) 674-4710
 We reserve the right to change details of design, materials and finish.
 © 2012 Genlyte Group LLC • G0212