

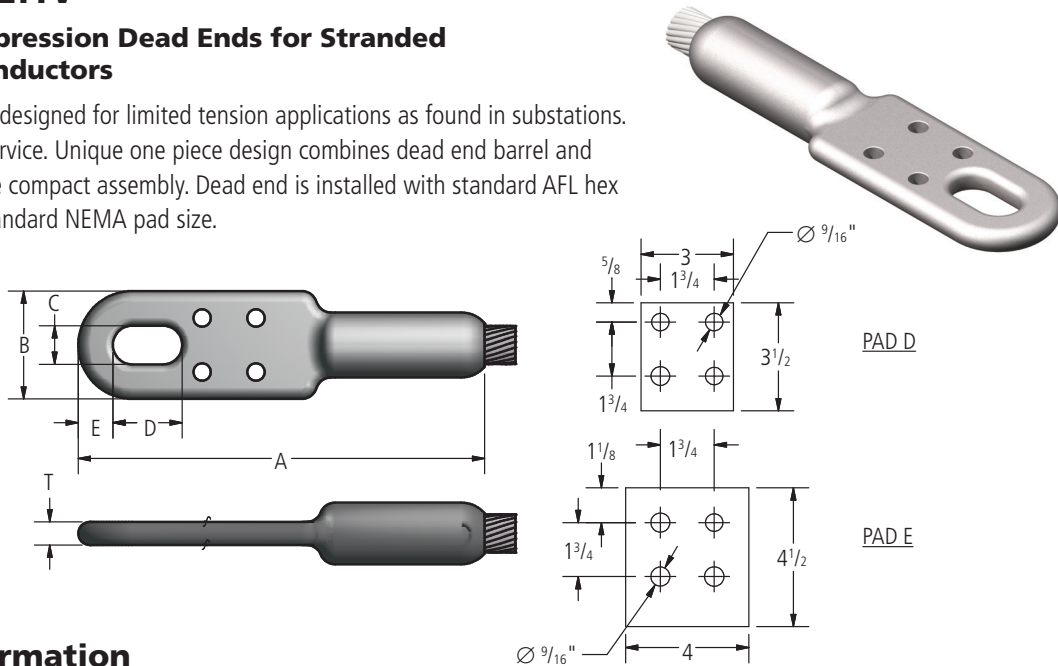
## DOSSERT® TYPE 2500-EHV

### Substation Compression Dead Ends for Stranded EC and ACSR Conductors

Substation dead end is designed for limited tension applications as found in substations. Designed for 500 kV service. Unique one piece design combines dead end barrel and terminal pad into single compact assembly. Dead end is installed with standard AFL hex dies. Terminal pad is standard NEMA pad size.

#### Material

Aluminum Alloy



### Ordering Information

CATALOG NUMBER	CONDUCTOR DIAMETER RANGE IN INCHES	AAC RANGE	ACSR RANGE	PAD SIZE	DIE SIZE	RATED STRENGTH	NOMINAL WEIGHT
						LBS	
2530.1-EHV	1.026 - 1.196	795 - 1033.5	715.5(24/7) - 954(54/7)	D	30 AH	6800	2.8
2534.1-EHV	1.186 - 1.313	1113-1272	1033.5(36/1)-1192.5(45/7)	D	34 AH	6800	3.3
2536.1-EHV	1.314 - 1.399	1300-1431	1192.5(54/19) - 1351.5(45/7)	D	36 AH	9000	3.8
2538.1-EHV	1.399 - 1.500	1351.5-1590	1351.5(45/7) - 1510.5(45/7)	D	38 AH	9000	3.7
2540.1-EHV	1.501 - 1.630	1750 - 2000	1510.5(54/19) - 1780(84/19)	D	40 AH	9000	4.3
2544.1-EHV	1.630 - 1.681	2000	2034(72/7)	E	44 AH	10000	6.9
2544.2-EHV	1.669 - 1.823	2250 - 2500	2034(72/7) - 2312(76/19)	E	44 AH	10000	6.7
2548.1-EHV	1.823 - 1.996	2500 - 2750	2515(76/19)	E	48 AH	10000	7.3
2548.2-EHV	1.996 - 2.158	3000-3500	-	E	48 AH	10000	6.9

CATALOG NUMBER	DIMENSION IN INCHES					
	A	B	C	D	E	T
2530.1-EHV	13.20	3.50	1.25	2.25	1.50	.75
2534.1-EHV	13.81	3.50	1.25	2.25	1.50	.75
2536.1-EHV	14.21	3.50	1.25	2.25	1.50	1.00
2538.1-EHV	14.53	3.50	1.25	2.25	1.50	1.00
2540.1-EHV	14.75	3.50	1.25	2.25	1.50	1.00
2544.1-EHV	17.45	4.12	1.35	2.50	1.63	1.13
2544.2-EHV	17.45	4.12	1.35	2.50	1.63	1.13
2548.1-EHV	17.68	4.12	1.35	2.50	1.63	1.13
2548.2-EHV	17.68	4.12	1.35	2.50	1.63	1.13

## DOSSERT®

### Type 2700-EHV, 2600-EHV

Substation straight terminals are designed for limited space applications as found in substations. Terminals are shorter than conventional terminals which saves space and allows for faster installation. Terminals are installed with standard AFL hex dies. Terminals can be supplied pre-filled if required.

#### Material

Aluminum Alloy

#### Notes

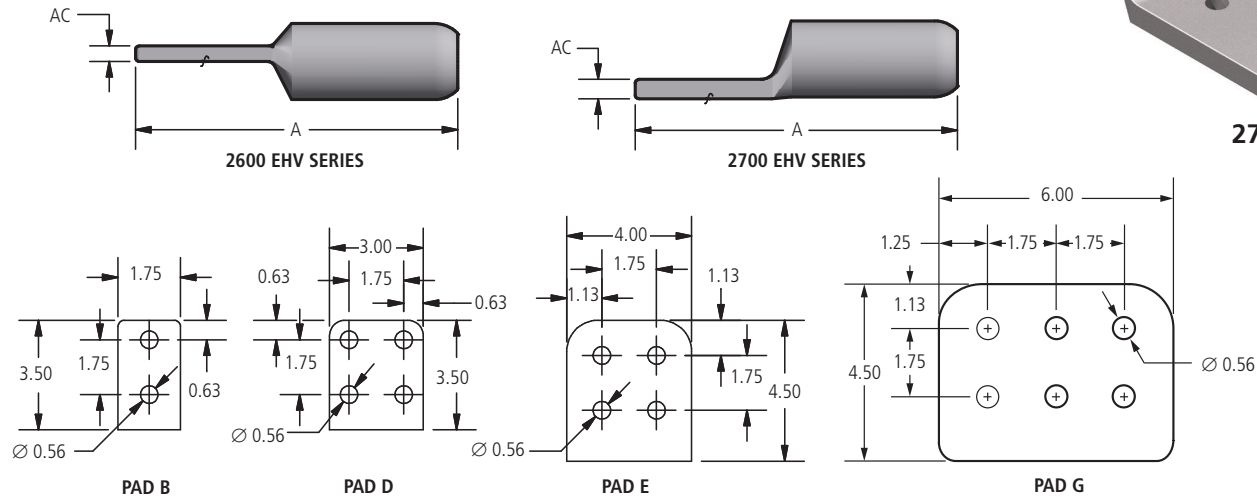
- For Pre-filled Terminals, add "P" to catalog number. EX: 2734.1EHVP
- For Electro Tin Plate, add "-SN" to catalog number. EX: 2734.1EHV-SN
- Other pad sizes can be custom ordered.



2600-EHV



2700-EHV



### Ordering Information

CATALOG NUMBER		CONDUCTOR RANGE			PAD SIZE	DIE SIZE	DIMENSIONS IN INCHES		NOMINAL WEIGHT LBS
OFFSET PAD	CENTER FORMED PAD	DIAMETER	AAC	ACSR			A	AC	
2730.1EHV	2630.1EHV	1.026 - 1.196	795 - 1033.5	715.5(24/7) - 954(54/7)	D	30AH	8.92	0.62	1.6
2734.1EHV	2634.1EHV	1.186 - 1.313	1113 - 1272	954(54/7) - 1192.5(45/7)	D	34AH	9.28	0.62	1.9
2734.1EEHV	2634.1EEHV	1.186 - 1.313	1113 - 1272	954(54/7) - 1192.5(45/7)	E	34AH	10.28	0.75	2.1
2736.1EHV	2636.1EHV	1.314 - 1.399	1300 - 1431	1192.5(54/19) - 1351.5(45/7)	D	36AH	9.54	0.62	2.1
2736.1EEHV	2636.1EEHV	1.314 - 1.399	1300 - 1431	1192.5(54/19) - 1351.5(45/7)	E	36AH	10.54	0.63	2.5
2738.1EHV	2638.1EHV	1.399 - 1.500	1500 - 1590	1351.5(54/19) - 1510.5(45/7)	D	38AH	9.69	0.62	2.3
2738.1GEHV	2638.1GEHV	1.399 - 1.500	1500 - 1590	1351.5(54/19) - 1510.5(45/7)	G	38AH	10.38	0.63	3.1
2740.1EHV	2640.1EHV	1.501 - 1.630	1750 - 2000	1510.5(54/19) - 1780(84/19)	D	40AH	10.27	0.62	2.6
2744.1EHV	2644.1EHV	1.630 - 1.681	2000	2034(72/7)	E	44AH	11.61	0.75	4.0
2744.2EHV	2644.2EHV	1.669 - 1.823	2250 - 2500	2034(72/7) - 2312(76/19)	E	44AH	12.00	0.88	4.0
2748.1EHV	2648.1EHV	1.823 - 1.996	2500 - 2750	2515(76/19)	E	48AH	12.64	0.75	4.6
2748.2EHV	2648.2EHV	1.996 - 2.158	3000-3500	—	E	48AH	12.64	0.75	4.0

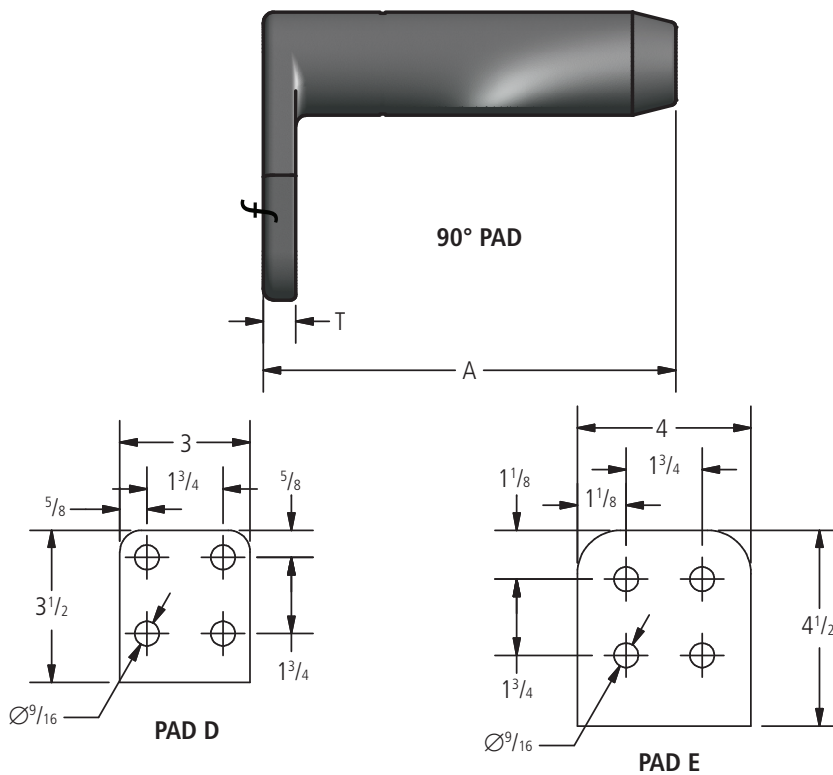
## DOSSERT® Type 3400-EHV

Substation 90° terminals are designed for limited space applications as found in substations. Designed for 500 kV service. Terminals are shorter than conventional terminals which saves space and allows for faster installation. Terminals are installed with standard AFL hex dies. Terminals can be supplied pre filled if required.



### Material

Aluminum Alloy



### Ordering Information

CATALOG NUMBER	CONDUCTOR RANGE			PAD SIZE	DIE SIZE	DIMENSIONS IN INCHES		NOMINAL WEIGHT LBS
	DIAMETER	AAC	ACSR			A	T	
3430.1-EHV	1.026 - 1.196	795 - 900	715.5(26/7) - 954(54/7)	D	30AH	6.03	0.62	1.3
3434.1-EHV	1.186 - 1.313	954 - 1272	954(54/7) - 1192.5(45/7)	D	34AH	6.44	0.62	1.6
3436.1-EHV	1.314 - 1.399	1351 - 1431	1192.5(54/19) - 1351.5(45/7)	D	36AH	6.72	0.62	1.7
3438.1-EHV	1.399 - 1.500	1500 - 1590	1351.5(45/7) - 1510.5(45/7)	D	38AH	6.94	0.62	2.0
3440.1-EHV	1.501 - 1.630	1750 - 2000	1510.5(54/19) - 1780(84/19)	D	40AH	7.38	0.62	2.2
3444.1-EHV	1.630 - 1.681	2000	2034(72/7)	E	44AH	8.22	0.75	3.4
3444.2-EHV	1.669 - 1.823	2250 - 2500	2034(72/7) - 2312(76/19)	E	44AH	8.22	0.75	3.3
3448.1-EHV	1.823 - 1.996	2500 - 2750	2515(76/19)	E	48AH	9.22	0.75	4.5
3448.2-EHV	1.996 - 2.158	2500 - 2750	2515(76/19)	E	48AH	9.22	0.75	4.0

## DOSSERT® TYPE S5600-EHV, S5100-EHV

### Terminal Connectors

The S5600-EHV, S5100-EHV Series Terminal Connector is designed for ACSR and AAC conductors. Designed for 500 kV service. The terminal is fabricated from AFL seamless drawn aluminum.

#### Material

Aluminum Alloy

#### Notes

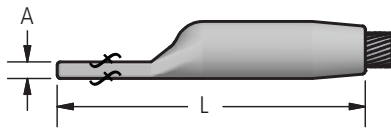
Other pad sizes can be custom ordered.



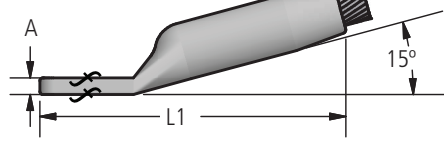
S5600-EHV



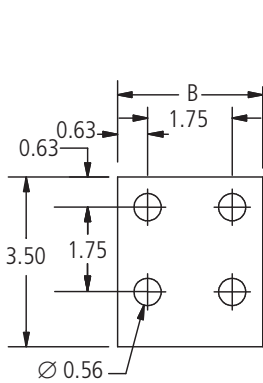
S5100-EHV



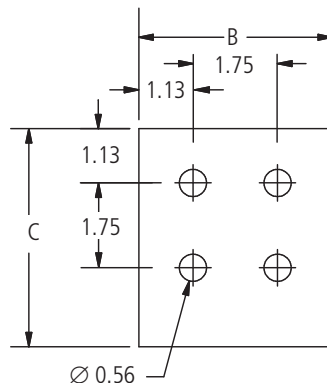
S5600-EHV



S5100-EHV



PAD D



PAD E

### Ordering Information

CATALOG NUMBER		CONDUCTOR					DIE SIZE ALUMINUM HEX DIE	DIMENSIONS IN INCHES					PAD SIZE
STRAIGHT	15 DEGREE	ACSR OR AAC	CODE WORD	SIZE KCMIL	STRANDING AL/ST	DIAMETER IN INCHES		A	B	C	L	L1	
S5624.938DEHV	S5124.938DEHV	ACSR	Flicker	477	24/7	0.846	24AH	0.50	3.00	—	9.25	10.25	D
		ACSR	Hawk	477	26/7	0.858							
		ACSR	Hen	477	30/7	0.883							
		ACSR	Osprey	556.5	18/1	0.879							
		AAC	Dahlia	556.5	19	0.856							
		AAC	Mistletoe	556.5	37	0.858							
AAC	Meadowsweet	600	37	0.891									
S5630.109EHV	S5130.109EHV	ACSR	Stilt	715.5	24/7	1.036	30AH	0.50	3.00	—	9.67	11.27	D
		ACSR	Starling	715.5	26/7	1.051							
		ACSR	Coot	795	36/1	1.040							
		AAC	Arbutus	795	37	1.026							
		AAC	Lilac	795	61	1.028							
		AAC	Heliotrope	800	37	1.031							
AAC	Heliotrope	800	61	1.031									
S5630.116EHV	S5130.116EHV	ACSR	Redwing	715.5	30/19	1.081	30AH	0.50	3.00	—	12.50	11.27	D
		ACSR	Tern	795	45/7	1.063							
		ACSR	Condor	795	54/7	1.093							
		ACSR	Drake	795	26/7	1.108							
		ACSR	Cuckoo	795	24/7	1.092							
		AAC	Snapdragon	900	61	1.094							

## DOSSERT®

### TYPE S5600-EHV, S5100-EHV (cont.)

#### Terminal Connectors

#### Ordering Information

CATALOG NUMBER		CONDUCTOR					DIE SIZE ALUMINUM HEX DIE	DIMENSIONS IN INCHES					PAD SIZE
STRAIGHT	15 DEGREE	ACSR OR AAC	CODE WORD	SIZE KCMIL	STRANDING AL/ST	DIAMETER IN INCHES		A	B	C	L	L1	
S5630.116EEHV	S5130.116EEHV	ACSR	Redwing	715.5	30/19	1.081	30AH	1.00	4.00	4.50	12.50	11.29	E
		ACSR	Tern	795	45/7	1.063							
		ACSR	Condor	795	54/7	1.093							
		ACSR	Drake	795	26/7	1.108							
		ACSR	Cuckoo	795	24/7	1.092							
		AAC	Snapdragon	900	61	1.094							
S5630.122EHV	S5130.122EHV	ACSR	Mallard	795	30/19	1.140	30AH	0.40	3.00	—	12.50	11.27	D
		ACSR	Ruddy	900	45/7	1.131							
		ACSR	Canary	900	54/7	1.162							
		ACSR	Catbird	954	36/1	1.140							
		ACSR	Rail	954	45/7	1.165							
		AAC	Magnolia	954	37	1.124							
		AAC	Goldenrod	954	61	1.126							
		AAC	Camellia	1000	61	1.152							
		AAC	Bluebell	1033.5	37	1.170							
		AAC	Larkspur	1033.5	61	1.172							
S5630.122EEHV	—	ACSR	Mallard	795	30/19	1.140	30AH	0.50	4.00	4.50	10.05	—	E
		ACSR	Ruddy	900	45/7	1.131							
		ACSR	Canary	900	54/7	1.162							
		ACSR	Catbird	954	36/1	1.140							
		ACSR	Rail	954	45/7	1.165							
		AAC	Magnolia	954	37	1.124							
		AAC	Goldenrod	954	61	1.126							
		AAC	Camellia	1000	61	1.152							
		AAC	Bluebell	1033.5	37	1.170							
		AAC	Larkspur	1033.5	61	1.172							
—	S5130.122EEHV	ACSR	Mallard	795	30/19	1.140	30AH	1.00	4.00	4.50	—	11.27	E
		ACSR	Ruddy	900	45/7	1.131							
		ACSR	Canary	900	54/7	1.162							
		ACSR	Catbird	954	36/1	1.140							
		ACSR	Rail	954	45/7	1.165							
		AAC	Magnolia	954	37	1.124							
		AAC	Goldenrod	954	61	1.126							
		AAC	Camellia	1000	61	1.152							
		AAC	Bluebell	1033.5	37	1.170							
		AAC	Larkspur	1033.5	61	1.172							
S5630.125EHV	S5130.125EHV	ACSR	Cardinal	954	54/7	1.196	30AH	0.40	3.00	—	12.50	11.27	D
S5630.125EEHV	—	ACSR	Tanager	1033.5	36/1	1.186	30AH	0.50	4.00	4.00	10.03	—	E
		ACSR	Cardinal	954	54/7	1.196							
—	S5130.125EEHV	ACSR	Tanager	1033.5	36/1	1.186	30AH	1.00	4.00	4.50	—	11.25	E
		ACSR	Cardinal	954	54/7	1.196							
S5634.128EHV	S5134.128EHV	ACSR	Ortolan	1033.5	45/7	1.212	34AH	0.60	3.00	—	12.20	12.44	D
		AAC	Marigold	1113	61	1.216							
		ACSR	Curlew	1033.5	54/7	1.244							
S5634.134EHV	S5134.134EHV	ACSR	Bluejay	1113	45/7	1.259	34AH	0.60	3.00	—	12.20	12.44	D
		AAC	Hawthorn	1192.5	61	1.258							
		AAC	Narcissus	1272	61	1.300							
S5634.138EHV	S5134.138EHV	ACSR	Bunting	1192.5	45/7	1.302	34AH	0.60	3.00	—	12.20	12.44	D
		ACSR	Finch	1113	54/19	1.293							
S5636.144EHV	S5136.144EHV	ACSR	Bittern	1272	45/7	1.345	36AH	0.60	3.00	—	13.76	12.50	D
		ACSR	Grackle	1192.5	54/19	1.333							
		AAC	Columbine	1351	61	1.340							
		AAC	Carnation	1431	61	1.379							
S5636.144EEHV	S5136.144EEHV	ACSR	Bittern	1272	45/7	1.345	36AH	1.00	4.00	4.50	10.85	10.73	E
		ACSR	Grackle	1192.5	54/19	1.333							
		AAC	Columbine	1351	61	1.340							
		AAC	Carnation	1431	61	1.379							
S5636.147EHV	S5136.147EHV	ACSR	Pheasant	1272	54/19	1.382	36AH	0.60	3.00	—	13.76	12.50	D
		ACSR	Dipper	1351.5	45/7	1.386							
		ACSR		1500	91	1.412							
		AAC	Gladiolus	1510.5	61	1.187							

500 kV Compression Connectors

## DOSSERT®

### TYPE S5600-EHV, S5100-EHV (cont.)

#### Terminal Connectors

#### Ordering Information

CATALOG NUMBER		CONDUCTOR					DIE SIZE ALUMINUM HEX DIE	DIMENSIONS IN INCHES					PAD SIZE
STRAIGHT	15 DEGREE	ACSR OR AAC	CODE WORD	SIZE KCMIL	STRANDING AL/ST	DIAMETER IN INCHES		A	B	C	L	L1	
S5638.150EHV	S5138.150EHV	ACSR	Martin	1351.5	54/19	1.424	38AH	0.80	3.00	—	13.94	13.69	D
		ACSR	Bobolink	1431	45/7	1.427							
S5638.150EEHV	S5138.150EEHV	ACSR	Martin	1351.5	54/19	1.424	38AH	1.00	4.00	4.50	11.44	13.69	E
		ACSR	Bobolink	1431	45/7	1.427							
S5638.156EHV	S5138.156EHV	ACSR	Plover	1431	54/19	1.465	38AH	0.70	3.00	—	13.69	13.69	D
		ACSR	Nuthatch	1510.5	45/7	1.466							
		AAC	Coreopsis	1590	61	1.250							
		AAC	Dogwood	1590	91	1.454							
S5638.156EEHV	S5138.156EEHV	ACSR	Plover	1431	54/19	1.465	38AH	1.00	4.00	4.50	11.41	13.94	E
		ACSR	Nuthatch	1510.5	45/7	1.466							
		AAC	Coreopsis	1590	61	1.250							
		AAC	Dogwood	1590	91	1.454							
S5640.162EHV	S5140.162EHV	ACSR	Parrot	1510.5	54/19	1.506	40AH	0.70	4.00	4.50	15.58	14.88	E
		ACSR	Lapwing	1590	45/7	1.504							
		ACSR	Falcon	1590	54/19	1.545							
		AAC	Jessamine	1750	61	1.525							
S5640.162EEHV	S5140.162EEHV	ACSR	Parrot	1510.5	54/19	1.506	40AH	1.00	4.00	4.50	11.83	11.92	E
		ACSR	Lapwing	1590	45/7	1.504							
		ACSR	Falcon	1590	54/19	1.545							
		AAC	Jessamine	1750	61	1.525							
S5642.178EHV	S5142.178EHV	ACSR	Chukar	1780	84/19	1.602	42AH	0.70	4.00	4.50	15.91	15.50	E
		ACSR		2034	72/7	1.681							
		AAC	Cowslip	2000	91	1.630							
S5644.181EHV	S5144.181EHV	ACSR	Kiwi	2167	72/7	1.737	44AH	0.70	4.00	4.50	17.84	16.00	E
		AAC	Sagebrush	2250	91	1.729							
		AAC		2300	61	1.750							
		AAC		2300	91	1.750							
S5644.184EHV	S5144.184EHV	ACSR	Bluebird	2156	84/19	1.762	44AH	0.70	4.00	4.50	17.84	16.00	E
S5644.188EHV	S5144.188EHV	ACSR	Thrasher	2312	76/19	1.802	44AH	0.70	4.00	4.50	17.84	16.00	E
		AAC	Lupine	2500	91	1.823							
S5648.197EHV	S5148.197EHV	ACSR	Joree	2515	76/19	1.880	48AH	0.80	4.00	4.50	17.84	17.06	E
		AAC	Bitterroot	2750	91	1.912							

## DOSSERT® TYPE S5600-45EHV, S5800EHV

### Terminal Connectors

The S5600-45EHV, S5800EHV Series Terminal Connector is designed for ACSR and AAC conductors. Designed for 500 kV service. The terminal is fabricated from AFL seamless drawn aluminum.

#### Material

Aluminum Alloy

#### Notes

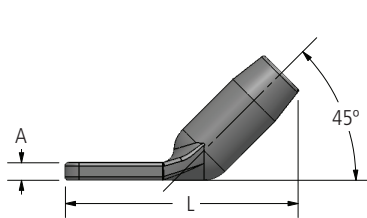
Other pad sizes can be custom ordered.



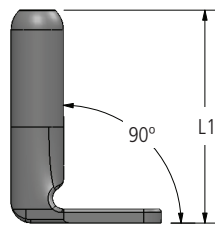
S5600-45EHV



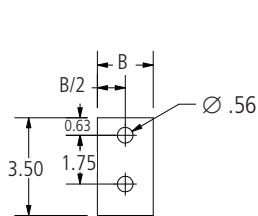
S5800EHV



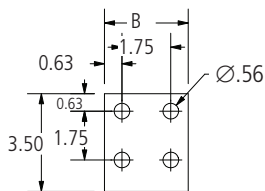
S5600-45EHV



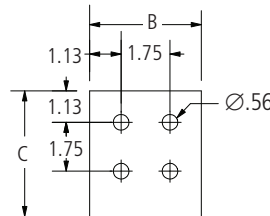
S5800EHV



PAD B



PAD D



PAD E

### Ordering Information

CATALOG NUMBER		CONDUCTOR					DIE SIZE ALUMINUM HEX DIE	DIMENSIONS IN INCHES					PAD SIZE
45 DEGREE	90 DEGREE	AAC OR ACSR	CODE WORD	SIZE KCMIL	STRANDING AL/ST	DIAMETER IN INCHES		A	B	C	L	L1	
S5673.391-45EHV	S5873.391EHV	AAC	Poppy	1/0	7	0.368	73AH	0.20	1.00	—	5.04	5.04	B
S5674.438-45EHV	S5874.438EHV	ACSR	Raven	1/0	6/1	0.398	74AH	0.30	1.00	—	5.28	5.28	B
		AAC	Aster	2/0	7	0.414							
S5674.484-45EHV	S5874.484EHV	ACSR	Quail	2/0	6/1	0.447	74AH	0.30	1.00	—	5.28	5.28	B
		ACSR	Phlox	3/0	7	0.464							
S5675.547-45EHV	S5875.547EHV	ACSR	Pigeon	3/0	6/1	0.502	75AH	0.50	1.00	—	5.71	5.71	B
		AAC	Oxlip	4/0	7	0.522							
S5675.609-45EHV	S5875.609EHV	ACSR	Penguin	4/0	6/1	0.563	75AH	0.50	1.00	—	5.71	5.71	B
		AAC	Valerian	250	19	0.575							
		AAC	Laurel	266.8	19	0.593							
S5676.656-45EHV	S5876.656EHV	ACSR	Waxwing	266.8	18/1	0.609	76AH	0.60	1.30	—	5.35	5.35	B
		AAC	Peony	300	19	0.629							

## DOSSERT®

### TYPE S5600-45EHV, S5800EHV (cont.)

#### Terminal Connectors

#### Ordering Information (cont.)

CATALOG NUMBER		CONDUCTOR					DIE SIZE ALUMINUM HEX DIE	DIMENSIONS IN INCHES					PAD SIZE
45 DEGREE	90 DEGREE	AAC OR ACSR	CODE WORD	SIZE KCMIL	STRANDING AL/ST	DIAMETER IN INCHES		A	B	C	L	L1	
S5676.688-45EHV	S5876.688EHV	ACSR	Owl	266.8	6/7	0.633	76AH	0.60	1.30	—	5.35	5.35	B
		ACSR	Partridge	266.8	26/7	0.642							
		AAC	Tulip	336.4	19	0.666							
S5620.719-45EHV	S5820.719EHV	AAC	Daffodil	350	19	0.679	20AH	0.50	1.30	—	6.13	6.13	B
S5676.719-45EHV	S5876.719EHV	ACSR	Ostrich	300	26/7	0.680	76AH	0.50	1.30	—	5.35	5.35	B
		ACSR	Merlin	336.4	18/1	0.684							
S5676.750-45EHV	S5876.750EHV	AAC	Canna	397.5	19	0.724	76AH	0.50	1.30	—	5.35	5.35	B
S5620.781-45EHV	S5820.781EHV	ACSR	Linnet	336.4	26/7	0.720	20AH	0.50	1.30	—	6.13	6.13	B
		ACSR	Oriole	336.4	30/7	0.741							
		ACSR	Chickadee	397.5	18/1	0.743							
S5676.781-45EHV	S5876.781EHV	ACSR	Linnet	336.4	26/7	0.720	76AH	0.50	1.30	—	5.35	5.35	B
			Chickdee	397.5	18/7	0.743							
S5620.812-45EHV	S5820.812EHV	ACSR	Brant	397.5	24/7	0.772	20AH	0.50	1.30	—	6.13	6.16	B
		AAC	Goldentuft	450	19	0.770							
		AAC	Yarrow	450	37	0.772							
		AAC	Cosmos	477	19	0.793							
		AAC	Syringa	477	37	0.795							
S5620.844-45EHV	S5820.844EHV	ACSR	Ibis	397.5	26/7	0.783	20AH	0.50	1.30	—	6.13	6.13	B
		ACSR	Lark		30/7	0.806							
S5624.875-45EHV	S5824.875EHV	ACSR	Pelican	477	18/1	0.814	24AH	0.60	1.50	—	7.58	7.58	B
		AAC	Cosmos		19	0.793							
		AAC	Syringa		37	0.795							
		AAC	Zinnia	500	19	0.811							
		AAC	Hyacinth		37	0.813							
S5624.938-45EHV	S5824.938EHV	ACSR	Flicker	477	24/7	0.846	24AH	0.60	1.50	—	7.58	7.58	B
			Hawk		26/7	0.858							
			Hen		30/7	0.883							
			Osprey		18/1	0.879							
		AAC	Dahlia	556.5	19	0.856							
			Mistletoe		37	0.858							
			Meadow-sweet		600	37							
S5624.969-45EHV	S5824.969EHV	ACSR	Parakeet	556.5	24/7	0.914	24AH	0.60	1.50	—	7.58	7.58	B
			Dove		26/7	0.927							
		AAC	Orchid	636	37	0.918							
			Heuchera	650		0.928							



## DOSSERT®

### TYPE S5600-45EHV, S5800EHV (cont.)

#### Terminal Connectors

#### Ordering Information (cont.)

CATALOG NUMBER		CONDUCTOR					DIE SIZE ALUMINUM HEX DIE	DIMENSIONS IN INCHES					PAD SIZE
45 DEGREE	90 DEGREE	AAC OR ACSR	CODE WORD	SIZE KCMIL	STRANDING AL/ST	DIAMETER IN INCHES		A	B	C	L	L1	
S5630.109-45EHV	S5830.109EHV	ACSR	Stilt	715.5	24/7	1.036	30AH	0.50	3.00	—	7.63	7.63	D
		ACSR	Starling	715.5	26/7	1.051							
		ACSR	Coot	795	36/1	1.040							
		AAC	Arbutus	795	37	1.026							
		AAC	Lilac	795	61	1.028							
		AAC	—	800	37	1.031							
		AAC	Heliotrope	800	61	1.031							
S5630.116-45EHV	S5830.116EHV	ACSR	Redwing	715.5	30/19	1.081	30AH	0.50	3.00	—	7.63	7.63	D
		ACSR	Tern	795	45/7	1.063							
		ACSR	Condor	795	54/7	1.093							
		ACSR	Drake	795	26/7	1.108							
		ACSR	Cuckoo	795	24/7	1.092							
		AAC	Snapdragon	900	61	1.094							
S5630.122-45EHV	S5830.122EHV	ACSR	Mallard	795	30/19	1.140	30AH	0.40	3.00	—	7.63	7.63	D
		ACSR	Ruddy	900	45/7	1.131							
		ACSR	Canary	900	54/7	1.162							
		ACSR	Catbird	954	36/1	1.140							
		ACSR	Rail	954	45/7	1.165							
		AAC	Magnolia	954	37	1.124							
		AAC	Goldenrod	954	61	1.126							
		AAC	Camellia	1000	61	1.152							
		AAC	Bluebell	1033.5	37	1.170							
		AAC	Larkspur	1033.5	61	1.172							
S5630.125-45EHV	S5830.125EHV	ACSR	Cardinal	954	54/7	1.196	30AH	0.40	3.00	—	7.63	7.63	D
		ACSR	Tanager	1033.5	36/1	1.186							
S5634.128-45EHV	S5834.128EHV	ACSR	Ortolan	1033.5	45/7	1.212	34AH	0.60	3.00	—	8.20	8.20	D
		AAC	Marigold	1113	61	1.216							
S5634.134-45EHV	S5834.134EHV	ACSR	Curlew	1033.5	54/7	1.244	34AH	0.60	3.00	—	8.20	8.20	D
		ACSR	Bluejay	1113	45/7	1.259							
		AAC	Hawthorn	1192.5	61	1.258							
S5634.138-45EHV	S5834.1238EHV	AAC	Narcissus	1272	61	1.300	34AH	0.60	3.00	—	8.20	8.20	D
		ACSR	Bunting	1192.5	45/7	1.302							
		ACSR	Finch	1113	54/19	1.293							

## DOSSERT®

### TYPE S5600-45EHV, S5800EHV (cont.)

#### Terminal Connectors

#### Ordering Information (cont.)

CATALOG NUMBER		CONDUCTOR					DIE SIZE ALUMINUM HEX DIE	DIMENSIONS IN INCHES					PAD SIZE
45 DEGREE	90 DEGREE	AAC OR ACSR	CODE WORD	SIZE KCMIL	STRANDING AL/ST	DIAMETER IN INCHES		A	B	C	L	L1	
S5636.144-45EHV	S5836.144EHV	ACSR	Bittern	1272	45/7	1.345	36AH	0.60	3.00	—	8.23	8.23	D
		ACSR	Grackle	1192.5	54/19	1.333							
		AAC	Columbine	1351	61	1.340							
		AAC	Carnation	1431	61	1.379							
S5636.147-45EHV	S5836.147EHV	ACSR	Pheasant	1272	54/19	1.382	36AH	0.60	3.00	—	8.23	8.23	D
		ACSR	Dipper	1351.5	45/7	1.386							
		ACSR	—	1500	91	1.412							
		AAC	Gladiolus	1510.5	61	1.187							
S5638.150-45EHV	S5838.150EHV	ACSR	Martin	1351.5	54/19	1.424	38AH	0.80	3.00	—	8.85	8.85	D
		ACSR	Bobolink	1431	45/7	1.427							
S5638.156-45EHV	S5838.156EHV	ACSR	Plover	1431	54/19	1.465	38AH	0.70	3.00	—	8.85	8.85	D
		ACSR	Nuthatch	1510.5	45/7	1.466							
		AAC	Coreopsis	1590	61	1.250							
		AAC	Dogwood	1590	91	1.454							
S5638.156-45EEHV	—	ACSR	Plover	1431	54/19	1.465	38AH	1.00	4.00	4.50	7.31	7.31	E
		ACSR	Nuthatch	1510.5	45/7	1.466							
		AAC	Coreopsis	1590	61	1.250							
		AAC	Dogwood	1590	91	1.454							
—	S5838.156EEHV	ACSR	Plover	1431	54/19	1.465	38AH	0.50	4.00	4.00	7.31	7.31	E
		ACSR	Nuthatch	1510.5	45/7	1.466							
		AAC	Coreopsis	1590	61	1.250							
		AAC	Dogwood	1590	91	1.454							
S5640.162-45EHV	S5840.162EHV	ACSR	Parrot	1510.5	54/19	1.506	40AH	0.70	3.00	—	9.95	9.95	D
		ACSR	Lapwing	1590	45/7	1.504							
		ACSR	Falcon	1590	54/19	1.545							
		AAC	Jessamine	1750	61	1.525							
S5642.178-45EHV	S5842.178EHV	ACSR	Chukar	1780	84/19	1.602	42AH	0.70	4.00	4.50	10.28	10.28	E
		ACSR	—	2034	72/7	1.681							
		AAC	Cowslip	2000	91	1.630							
S5644.181-45EHV	S5844.181EHV	ACSR	Kiwi	2167	72/7	1.737	44AH	0.70	4.00	4.50	10.72	10.72	E
		AAC	Sagebrush	2250	91	1.729							
		AAC	—	2300	61	1.750							
		AAC	—	2300	91	1.750							

500 kV Compression Connectors

## DOSSERT®

### TYPE S5600-45EHV, S5800EHV (cont.)

#### Terminal Connectors

#### Ordering Information (cont.)

CATALOG NUMBER		CONDUCTOR					DIE SIZE ALUMINUM HEX DIE	DIMENSIONS IN INCHES					PAD SIZE
45 DEGREE	90 DEGREE	AAC OR ACSR	CODE WORD	SIZE KCMIL	STRANDING AL/ST	DIAMETER IN INCHES		A	B	C	L	L1	
S5644.184-45EHV	S5844.184EHV	ACSR	Bluebird	2156	84/19	1.762	44AH	0.70	4.00	4.50	10.72	10.72	E
S5644.188-45EHV	S5844.188EHV	ACSR	Thrasher	2312	76/19	1.802	44AH	0.70	4.00	4.50	10.72	10.72	E
		AAC	Lupine	2500	91	1.823							
S5648.197-45EHV	S5848.197EHV	ACSR	Joree	2515	76/19	1.880	48AH	0.80	4.00	4.50	11.35	11.35	E
		AAC	Bitterroot	2750	91	1.912							

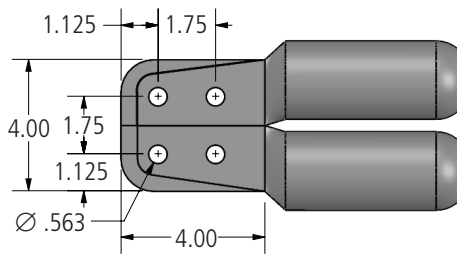
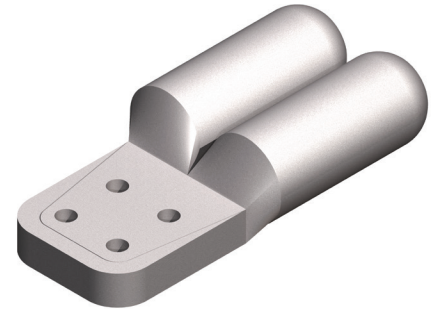
## DOSSERT® TYPE DP2L-V-EC

### Substation Compression Terminal

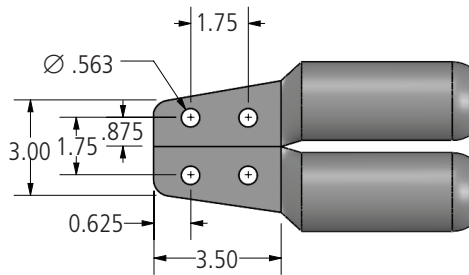
Use for cable to terminal application. Designed for 500 kV service.

#### Material

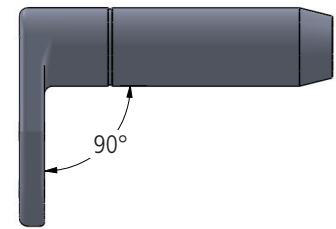
Aluminum Alloy



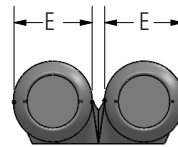
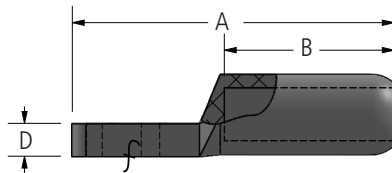
DP2L-4N4-V-EC SERIES



DP2L-4N-V-EC SERIES



DP2LA-N-90-V-EC SERIES



### Ordering Information

CATALOG NUMBER	CONDUCTOR RANGE			DIMENSIONS IN INCHES				DIE SIZE
	IN	AAC	ACSR	A	B	D	E	
DP2L100-4N-V-EC	1.026 - 1.196	795 - 1033.5	715.5(24/7) - 954(54/7)	8.84	4.09	1.00	1.88	30AH
DP2L100-4N4-V-EC				9.46				
DP2L127-4N-V-EC	1.186 - 1.313	1113 - 1272	954(54/7) - 1192.5(45/7)	9.19	4.44	1.00	2.12	34AH
DP2L127-4N4-V-EC				9.82				
DP2L151-4N4-V-EC	1.314 - 1.399	1300 - 1431	1192.5(54/19) - 1351.5(45/7)	10.53	4.95	1.00	2.25	36AH
DP2LA151-4N4-90-V-EC				—	4.70			
DP2L160-4N-V-EC	1.399 - 1.500	1500 - 1590	1351.5(54/19) - 1510.5(45/7)	9.69	4.94	1.00	2.38	38AH
DP2L160-4N4-V-EC				10.32				
DP2L180-4N-V-EC	1.501 - 1.630	1750 - 2000	1510.5(54/19) - 1780(84/19)	10.14	—	1.00	2.50	40AH
DP2L180-4N4-V-EC				11.14				
DP2L250-4N4-V-EC	1.802 - 1.857	2500	2300(96/19) - 2312(76/19)	11.77	6.34	1.00	2.75	44AH
DP2LA250-4N4-90-V-EC				—				