



Product Datasheet

CHANCE

C3MW24ML -- BRACKET, XFRM, RACK TYPE, AL



Bracket, Transformer, Wing-Rack Type

Product Specifications

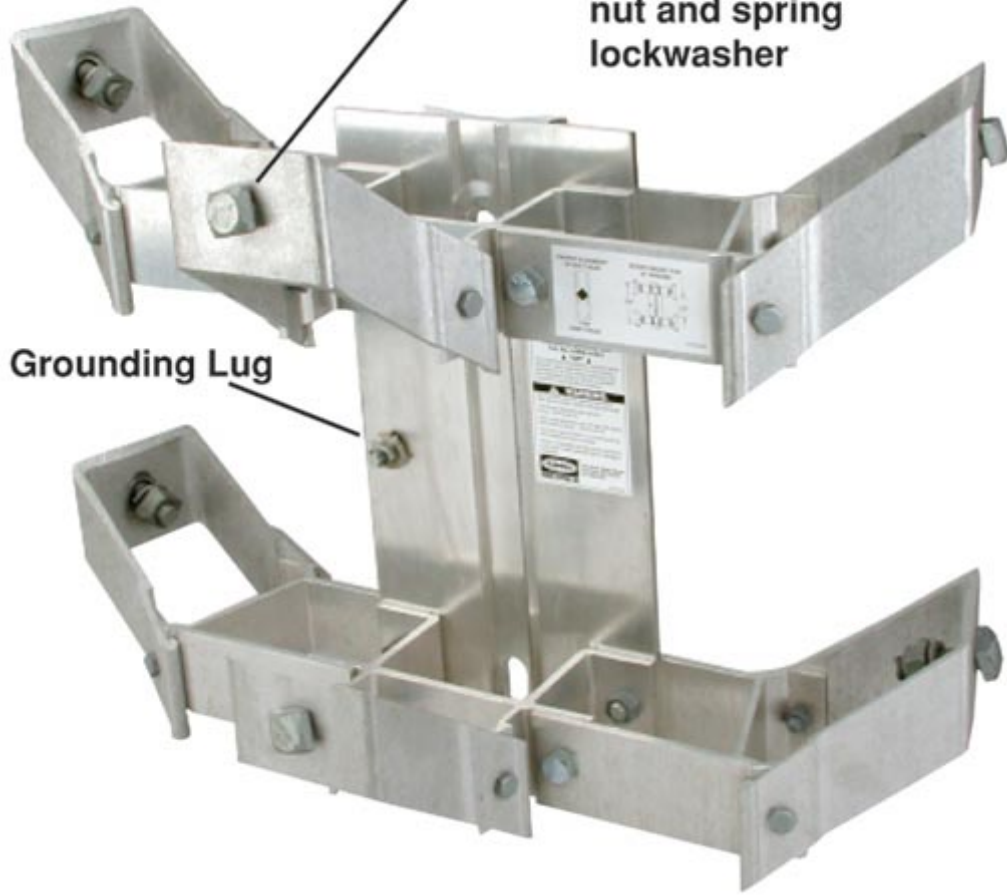
Product Categories	Equipment Mounting Brackets
Product Group	Bracket, Transformer, Aluminum
Product Type	Bolted
Size	Not Applicable for Bolted Type
Diameter	Not Applicable for Bolted Type
Transformer Lug Configuration	NEMA A, 12" Vertical Spacing
Material	6061-T6 Aluminum
Return Type	Standard
UPC Code	096359355144
Standard Package	1
Unit of Measure	EA
Min Order Qty	1
Pallet Quantity	8
Weight / Ea.	29.4 lbs
Webpage	Click HERE to view webpage
Drawing	Click HERE to view drawing.

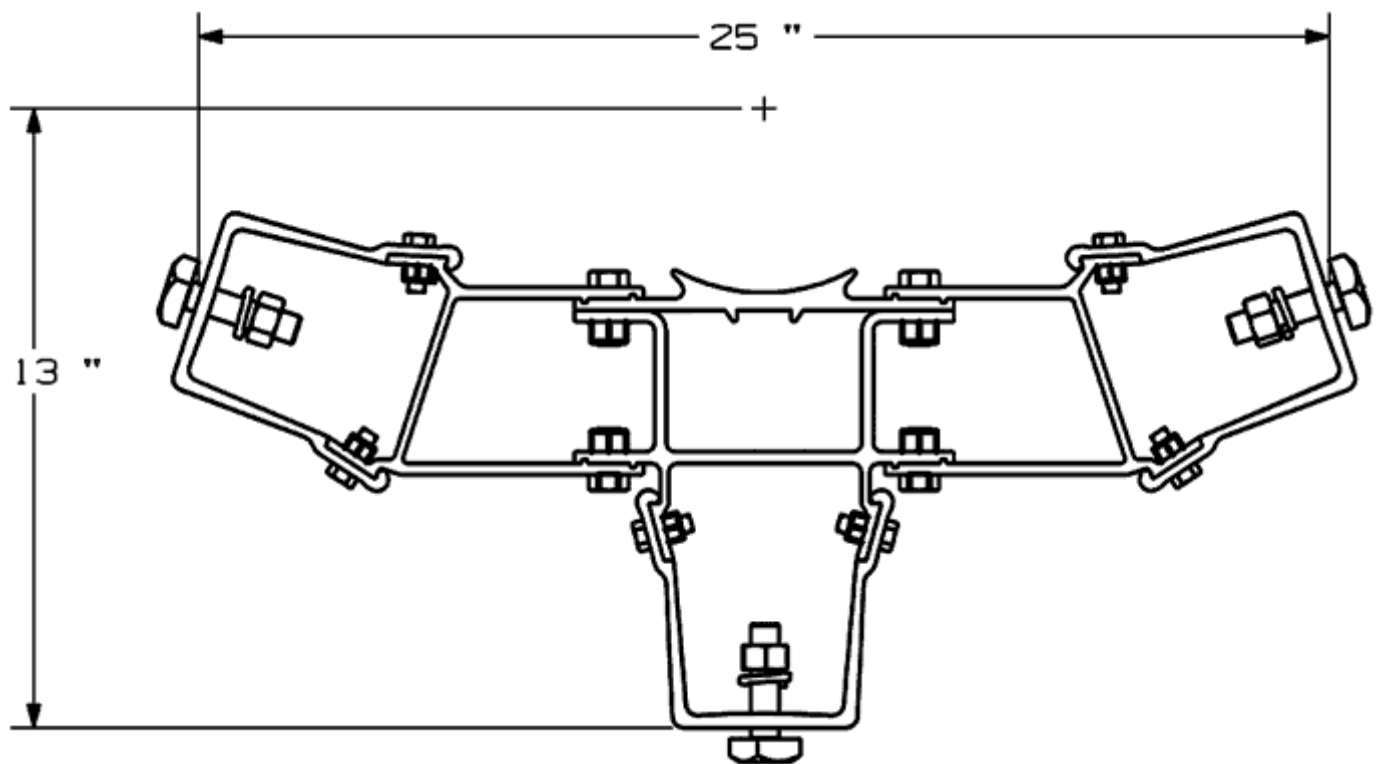
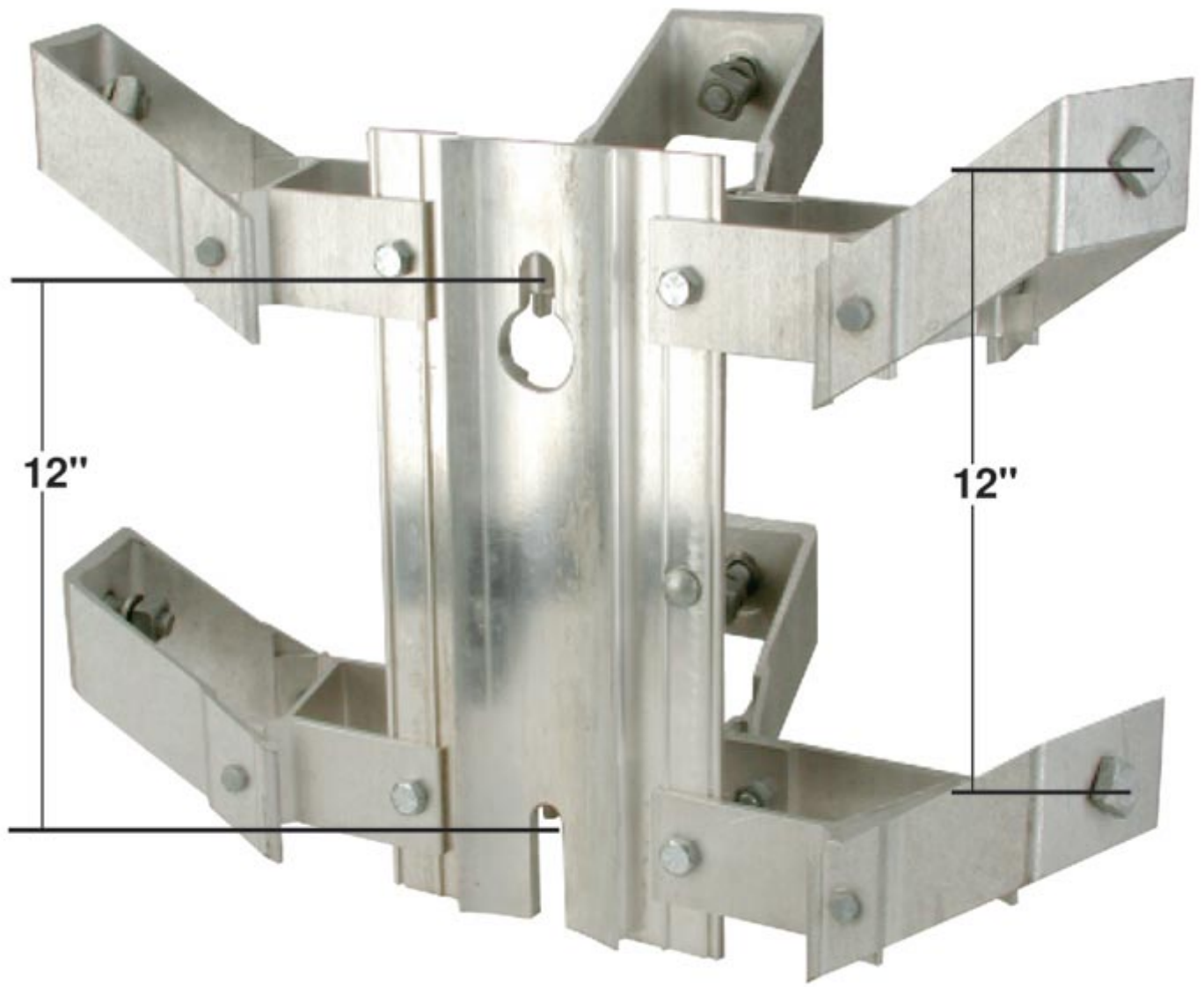
Compressed Product Number

C3MW24ML

**Galvanized-Steel
Mounting Hardware
(6 each included):
5/8" x 2 1/2" square head
machine bolt with hex
nut and spring
lockwasher**

Grounding Lug







[Warranty Info](#) | [Trademarks](#) | [Terms of Use](#)

All contents Copyright © 2007 Hubbell Power Systems, Inc. All rights reserved.

NOTE: Because Hubbell has a policy of continuous product improvement, we reserve the right to change design and specifications without notice.