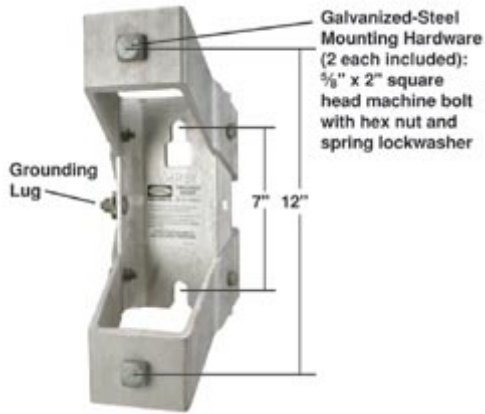




**Product Datasheet**

**CHANCE**

**CTB2M16 -- BRACKET, XFMR, RACK TYPE, AL**



Bracket, Transformer, Wing-Rack Type

**Product Specifications**

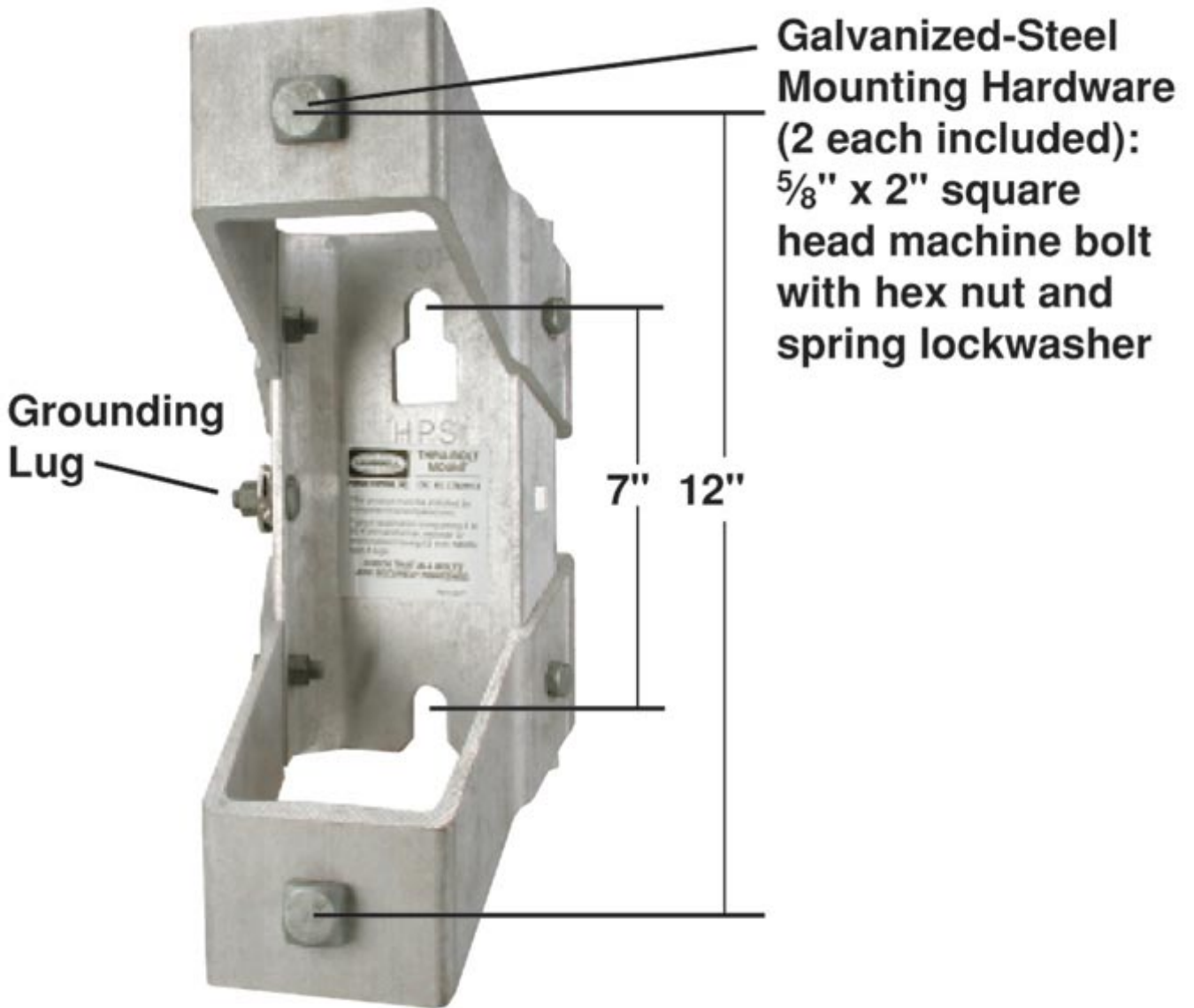
<b>Product Categories</b>	Equipment Mounting Brackets
<b>Product Group</b>	Bracket, Transformer, Aluminum
<b>Product Type</b>	Bolted
<b>Size</b>	Not Applicable for Bolted Type
<b>Diameter</b>	Not Applicable for Bolted Type
<b>Transformer Lug Configuration</b>	NEMA A, 12" Vertical Spacing
<b>Material</b>	6061-T6 Aluminum
<b>Return Type</b>	Non-Standard
<b>UPC Code</b>	096359354871
<b>Standard Package</b>	4
<b>Unit of Measure</b>	EA
<b>Min Order Qty</b>	4
<b>Weight / Ea.</b>	7.07 lbs
<b>Webpage</b>	Click <a href="#">HERE</a> to view webpage
<b>Drawing</b>	Click <a href="#">HERE</a> to view drawing.

**Notes**

Maximum capacity is 2000 lb. Mounts to pole with two 5/8" thru-bolts.

**Compressed Product Number**

CTB2M16



[Catalog Home](#)



[Warranty Info](#) | [Trademarks](#) | [Terms of Use](#)

*All contents Copyright © 2007 Hubbell Power Systems, Inc. All rights reserved.*

NOTE: Because Hubbell has a policy of continuous product improvement, we reserve the right to change design and specifications without notice.