



**Product Datasheet**


**ANDERSON FARGO**

**TSCT2150 -- Suspension Clamp**

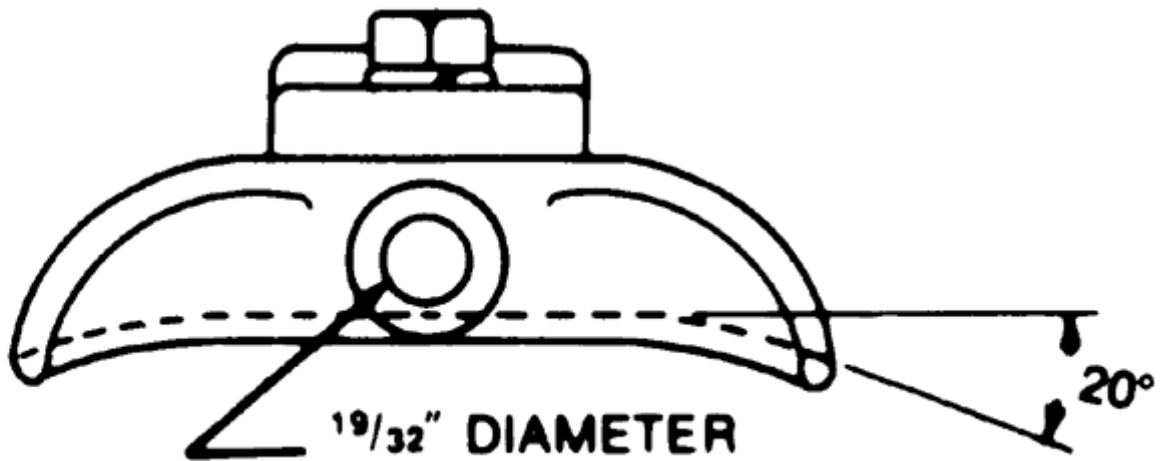
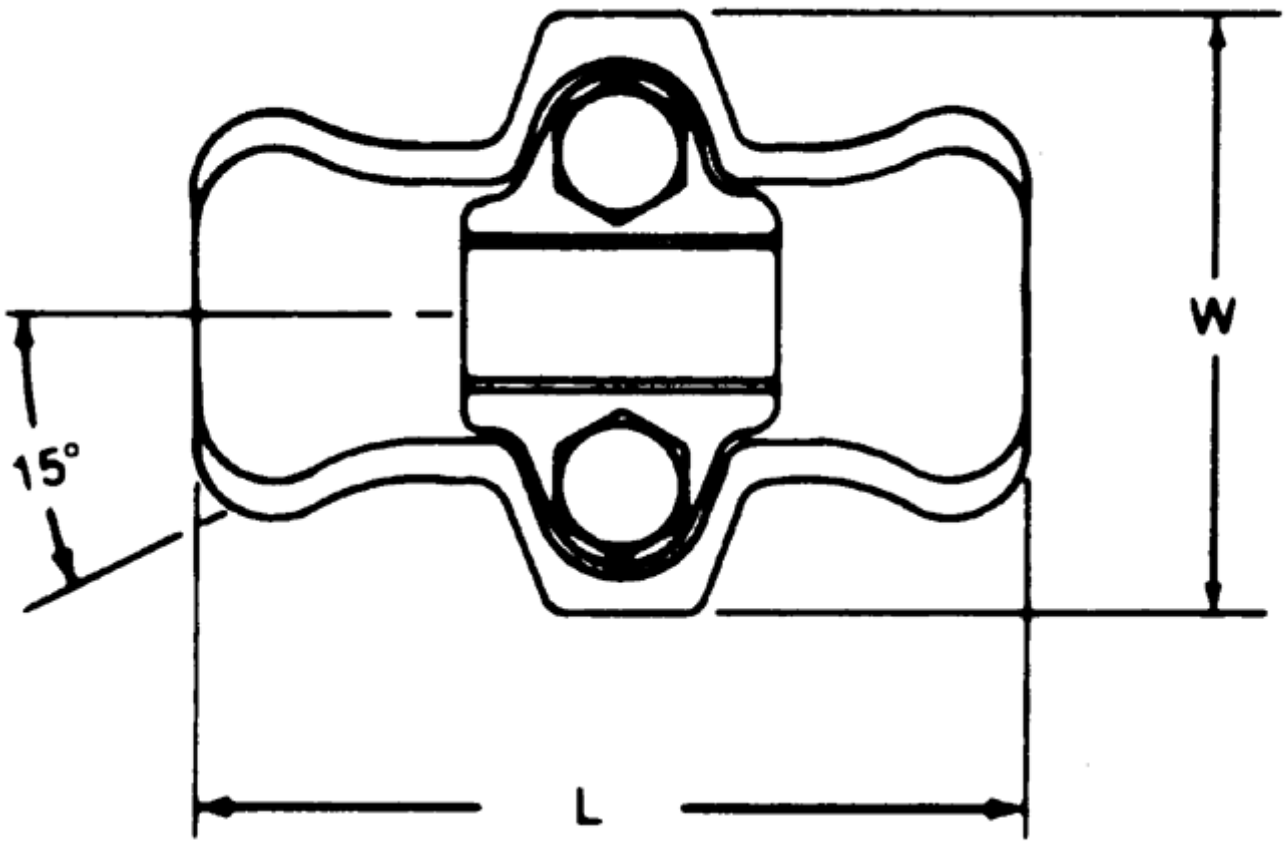


Suspension Clamp, Aluminum, Trunnion Style, for use with conductors 0.316 - 0.563

**Product Specifications**

<b>Series</b>	 <p>TSCT2 series Standard Voltage Trunnion Aluminum for use on T2 conductor</p>
<b>PDF Catalog Page</b>	<a href="#">Click HERE to view the web page.</a>
<b>With Anti-Static Springs</b>	No
<b>Clamp Material</b>	Aluminum
<b>Ultimate Body Strength</b>	2,800 lbs (1,270 kgs)
<b>Maximum Take-off Angle 0</b>	20
<b>Dimension J</b>	0.500 in (12.7 mm)
<b>Dimension L</b>	5.25 in (133.3 mm)
<b>Dimension W</b>	3.88 in (98.4 mm)
<b>Hardware Material</b>	Galvanized Steel
<b>Minimum - Maximum Conductor Size</b>	AAC 1 str (7) Thru AAC 3 str (7) w/Armor Rods AAAC 1 str(7) Thru AAAC 4 str(7) w/Armor Rods ACSR 2 (6/1) Thru ACSR 4 (7/1) w/Armor Rods
<b>Clamping Range</b>	0.32 - 0.56 in (8.03 - 14.30 mm)
<b>Voltage Application</b>	Standard
<b>Material Type</b>	Non-Standard
<b>UPC Code</b>	09635933217
<b>Standard Package</b>	30
<b>Standard Package Unit</b>	Each
<b>Min Order Qty</b>	1
<b>Weight / Ea.</b>	1.343 lbs

**Compressed Product Number**



[Catalog Home](#)



NOTE: Because Hubbell has a policy of continuous product improvement, we reserve the right to change design and specifications without notice.