

# Product End-of-Life Instructions

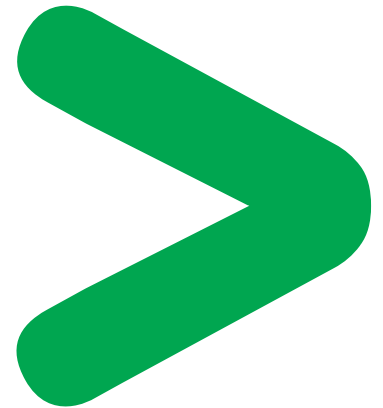
## QUANTUM Single Slot Units

### Product Range

QUANTUM Single Slot Units

### Marketing Model

140CPU43412AC



### Size in mm:

W x L x D: 41 x 99 x 250

### Weight in kg (or g):

Between 250 and 800 without battery

Between 280 and 830 with batteries

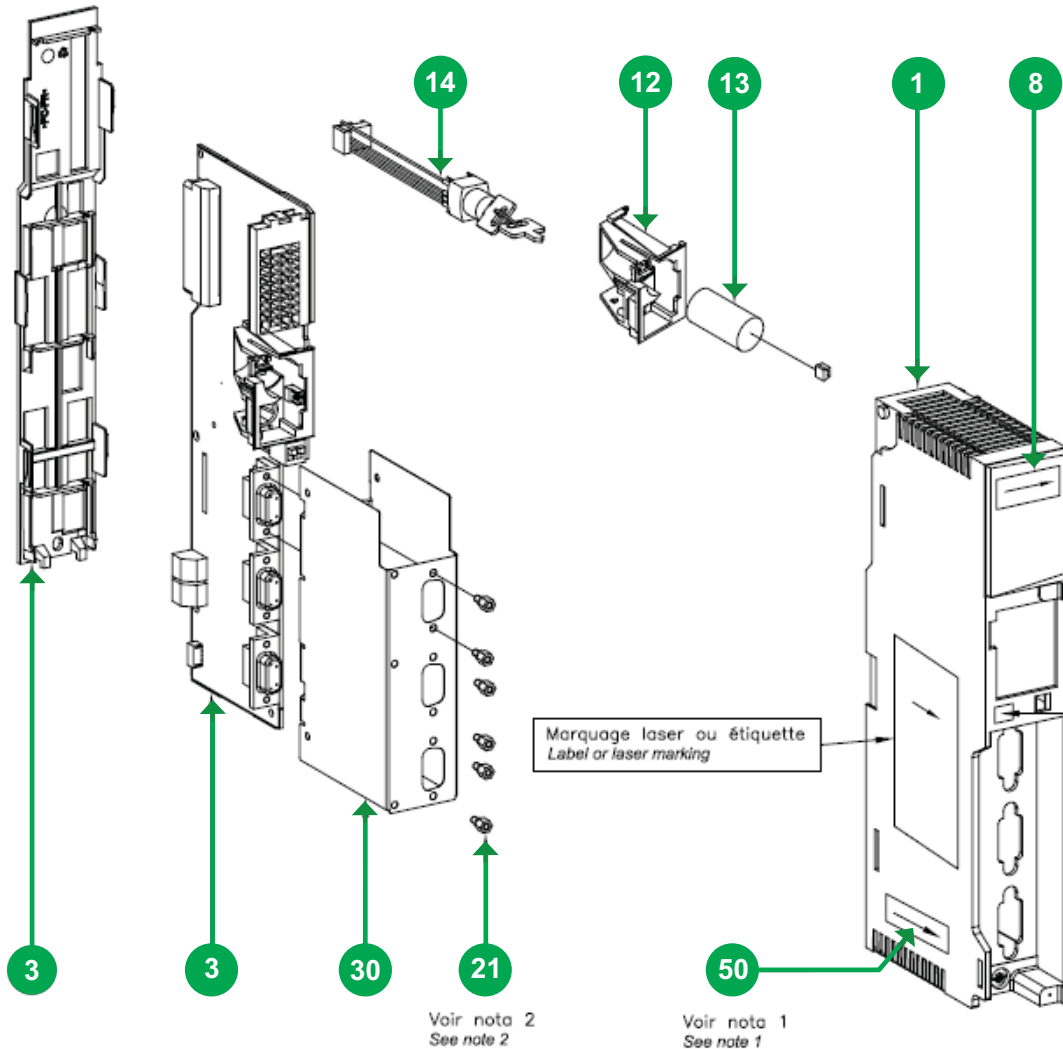


## Operations recommended for the end of life treatment

There are several steps to process the products at the end of life so as to recover components, materials or energy:

**Reuse** ⇒ **Separation for special treatment** ⇒ **Other dismantling** ⇒ **Shredding**

The components of the products that optimize the recycling performances are listed, identified and located hereunder.



Recommendation	Number on drawing	Component	Weight (g)	Comment
Special treatment	13	Battery	30	Remove battery
	2	PCBA	150	–
Other dismantling	–	Polycarbonate Plastic (PC)	177	(Valorisation)
	30	Stainless Steel	30	(Valorisation)

### Schneider Electric Industries SAS

35, rue Joseph Monier  
CS30323  
F - 92506 Rueil Malmaison Cedex

RCS Nanterre 954 503 439  
Capital social 896 313 776 €  
www.schneider-electric.com

The version of the Guide used to create the document: End of Life Instruction Drafting Guide of Schneider Electric version V0.

Publication: Schneider Electric