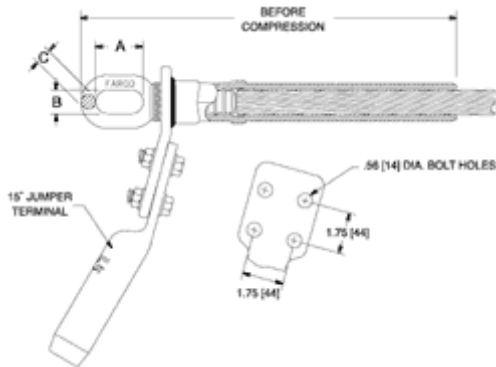




Product Datasheet

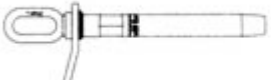
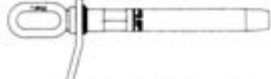
ANDERSON FARGO

C012020 -- Compression Deadend



Compression Deadend, Uni-Grip, Single Tongue, Vertical Eye, for AAC, Dia. Range 1.806 - 1.9, With Terminals

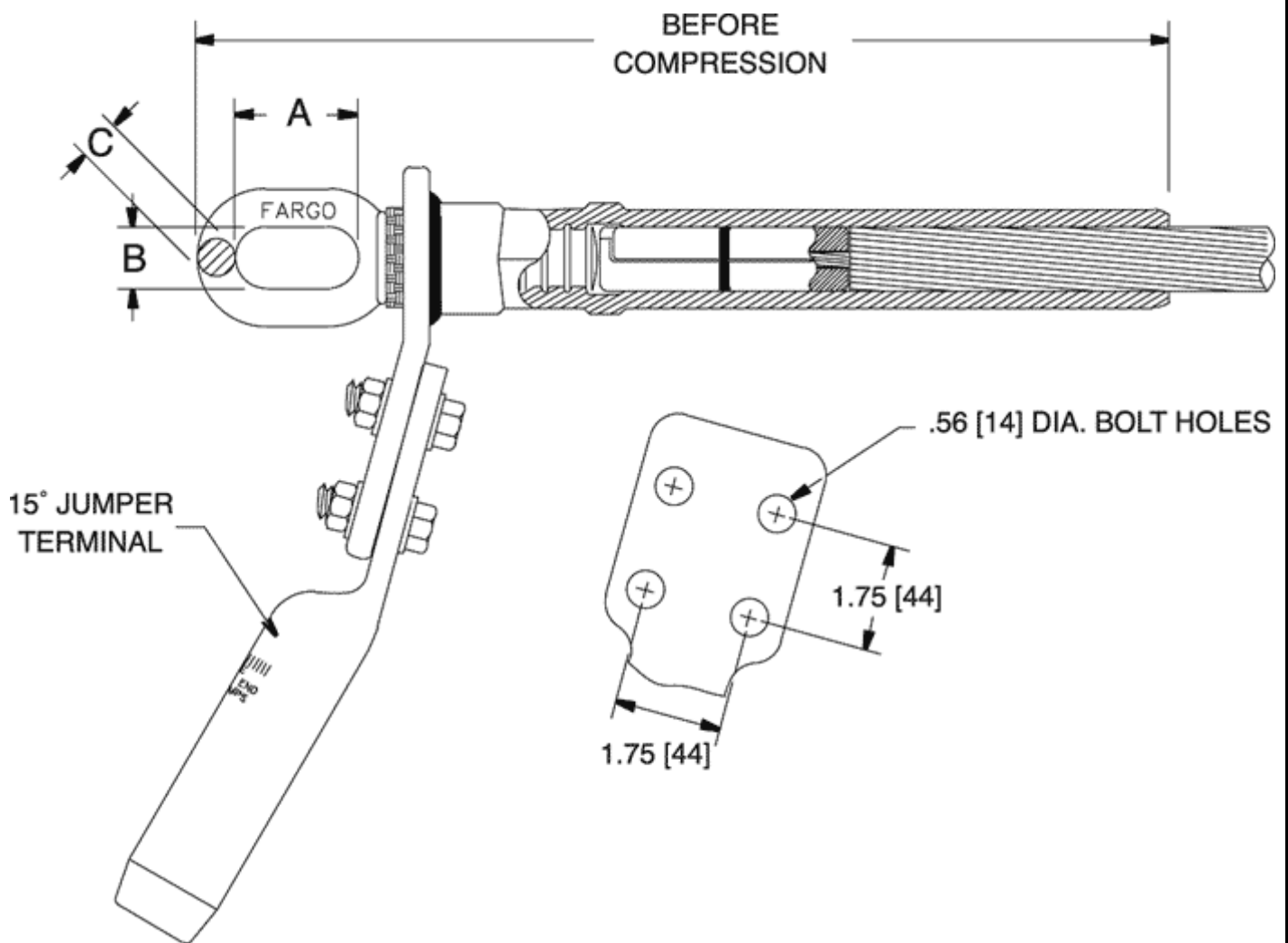
Product Specifications

<p>Category Image</p>	 <p>Compression Deadends</p> <p>Eye Type Aluminum UniGrip® (One Die) AAC, AAAC, ACAR & ACSR Conductor</p>
<p>Series Image (Comp Eye)</p>	 <p>C01/C03 Series Compression Dead End Eye Type, Single Tongue Uni-Grip® (One Die) Full Tension AAC Conductor</p>
<p>PDF Catalog Page</p>	<p>Click HERE to view the web page.</p>
<p>Terminal Option</p>	<p>With</p>
<p>Style</p>	<p>Uni-Grip, Single Tongue, Vertical Eye</p>
<p>Type</p>	<p>Compression</p>
<p>Material</p>	<p>Aluminum/Steel</p>
<p>Compression Method</p>	<p>Uni-Grip (single die system)</p>
<p>Die Size</p>	<p>20CD</p>
<p>Minimum Press (Tons)</p>	<p>100</p>
<p>Voltage Application</p>	<p>EHV & Std</p>
<p>Inhibitor Loaded</p>	<p>Yes</p>
<p>Body Material</p>	<p>Seamless Extruded Aluminum Alloy</p>
<p>Eye Material</p>	<p>Galvanized Forged Steel</p>

Terminal Material	Seamless Extruded Aluminum Alloy
Hardware Material	Aluminum Alloy
Length before Compression	22.7 in (577 mm)
Dimension A	3.0 in (76 mm)
Dimension B	1.5 in (38 mm)
Dimension C	1.1 in (27 mm)
Pad Width	4.0 in (102 mm)
Bolt Holes	4
Conductor Range Minimum - Maximum	AAC 2500 kcmil (91) Thru AAC 2500 kcmil (127)
Minimum Conductor Diameter	1.806
Maximum Conductor Diameter	1.9
Weight / Ea.	23.89 lbs
Standard Package	1
UPC Code	09635934941

Compressed Product Number

C012020



Dimensions



[Warranty Info](#) | [Trademarks](#) | [Terms of Use](#)

All contents Copyright © 2007 Hubbell Power Systems, Inc. All rights reserved.

NOTE: Because Hubbell has a policy of continuous product improvement, we reserve the right to change design and specifications without notice.