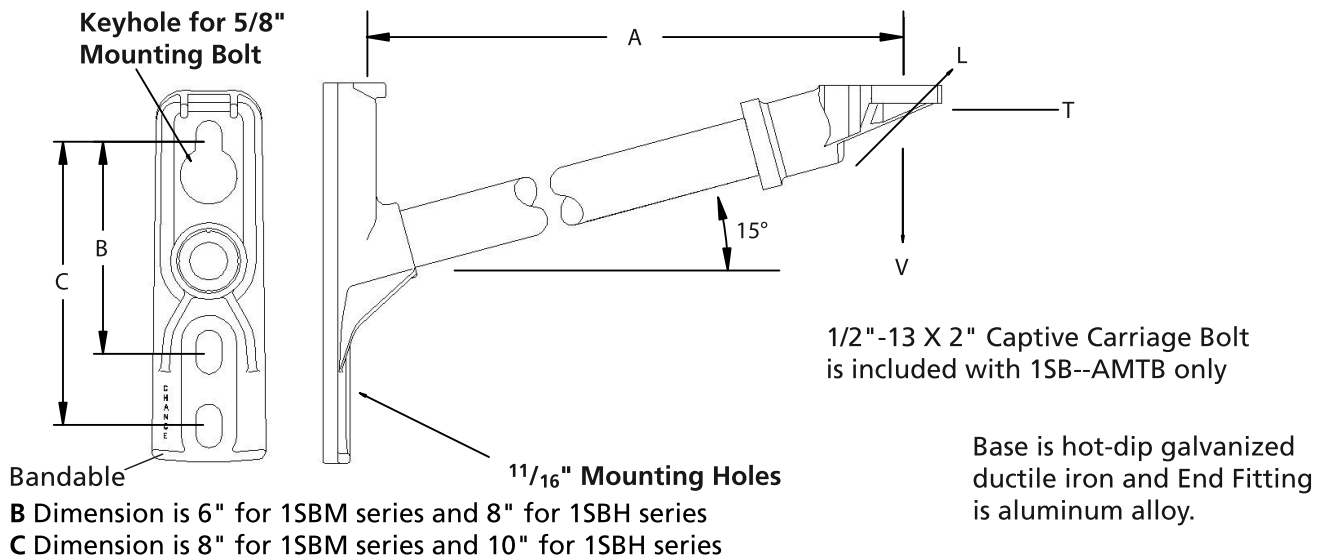
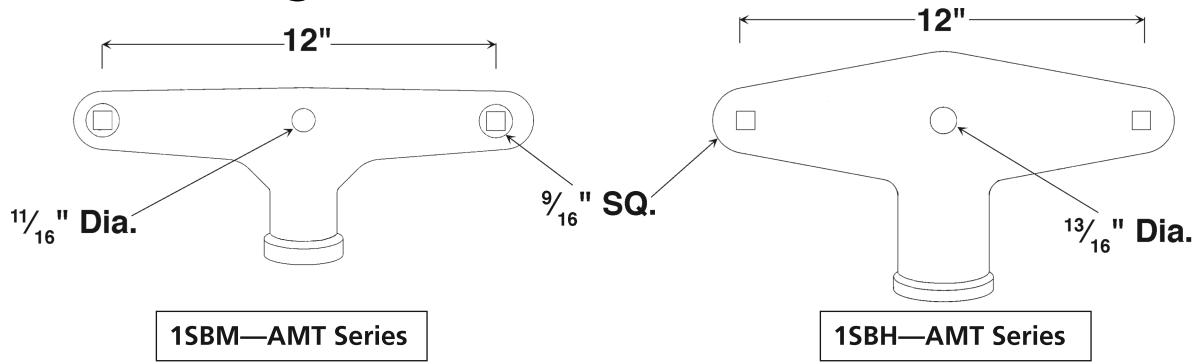


2 Position Single-Phase Cutout / Arrester Bracket (15°)



RUS Accepted.

| Catalog Number | Length A | Minimum Ultimate* | | | Weight (Each) |
|---|---------------|---------------------|--------------------|-----------------------|--------------------|
| | | Vertical V | Longitudinal L | Transverse T | |
| Medium Duty 1 1/2" (38 mm) Dia. Fiberglass Rod | | | | | |
| 1SBM12AMT | 12" (30.5 cm) | 1800 lbs. (817 kg) | 1400 lbs. (635 kg) | 10,000 lbs. (4536 kg) | 6.6 lbs. (3.0 kg) |
| 1SBM15AMT | 15" (38.1 cm) | 1500 lbs. (680 kg) | 1100 lbs. (499 kg) | 10,000 lbs. (4536 kg) | 7.0 lbs. (3.2 kg) |
| 1SBM18AMT | 18" (45.7 cm) | 1200 lbs. (544 kg) | 950 lbs. (431 kg) | 10,000 lbs. (4536 kg) | 7.4 lbs. (3.3 kg) |
| 1SBM24AMT | 24" (61.0 cm) | 900 lbs. (408 kg) | 700 lbs. (318 kg) | 10,000 lbs. (4536 kg) | 7.8 lbs. (3.5 kg) |
| 1SBM12AMTB | 12" (30.5 cm) | 1800 lbs. (817 kg) | 1400 lbs. (635 kg) | 10,000 lbs. (4536 kg) | 6.6 lbs. (3.0 kg) |
| 1SBM15AMTB | 15" (38.1 cm) | 1500 lbs. (680 kg) | 1100 lbs. (499 kg) | 10,000 lbs. (4536 kg) | 7.0 lbs. (3.2 kg) |
| 1SBM18AMTB | 18" (45.7 cm) | 1200 lbs. (544 kg) | 950 lbs. (431 kg) | 10,000 lbs. (4536 kg) | 7.4 lbs. (3.3 kg) |
| 1SBM24AMTB | 24" (61.0 cm) | 900 lbs. (408 kg) | 700 lbs. (318 kg) | 10,000 lbs. (4536 kg) | 7.8 lbs. (3.5 kg) |
| Heavy Duty 2" (51 mm) Dia. Fiberglass Rod | | | | | |
| 1SBH18AMT | 18" (45.7 cm) | 2250 lbs. (1021 kg) | 1400 lbs. (635 kg) | 10,000 lbs. (4536 kg) | 9.6 lbs. (4.3 kg) |
| 1SBH21AMT | 21" (53.3 cm) | 2100 lbs. (953 kg) | 1250 lbs. (567 kg) | 10,000 lbs. (4536 kg) | 10.0 lbs. (4.5 kg) |
| 1SBH24AMT | 24" (61.0 cm) | 1900 lbs. (862 kg) | 1100 lbs. (499 kg) | 10,000 lbs. (4536 kg) | 10.4 lbs. (4.7 kg) |
| 1SBH18AMTB | 18" (45.7 cm) | 2250 lbs. (1021 kg) | 1400 lbs. (635 kg) | 10,000 lbs. (4536 kg) | 9.6 lbs. (4.3 kg) |
| 1SBH21AMTB | 21" (53.3 cm) | 2100 lbs. (953 kg) | 1250 lbs. (567 kg) | 10,000 lbs. (4536 kg) | 10.0 lbs. (4.5 kg) |
| 1SBH24AMTB | 24" (61.0 cm) | 1900 lbs. (862 kg) | 1100 lbs. (499 kg) | 10,000 lbs. (4536 kg) | 10.4 lbs. (4.7 kg) |

*Recommended maximum working load is 50% of minimum ultimate ratings listed.

Consult factory for additional lengths.

Add "SC" suffix to the end of the catalog number to denote Silicone Coated rod