

FEATURES & SPECIFICATIONS

INTENDED USE — Ideal where high brightness and good illumination levels are required such as retail, light industrial and warehouses.

Attributes: Available in one lamp or two lamp configuration.

CONSTRUCTION — Heavy-duty channel, die-formed from code-gauge steel.

Sturdy channel cover secured by captive quarter-turn latch for easy access to wireway.

Combination endplate/channel connector furnished with each fixture.

Finish: Five-stage iron phosphate pretreatment ensures superior paint adhesion and rust resistance. Painted parts finished with high-gloss, baked white enamel.

ELECTRICAL — Thermally protected, resetting, Class P, UL Listed and CSA Certified ballast is standard. Sound rating depends on lamp/ballast combination.

AWM, TFN, THHN wire throughout, rated for required temperatures.

INSTALLATION — For unit or row installations, surface or suspended mounting.

LISTINGS — UL listed to US and Canadian safety standards. Optional: Mexico NOM.

Damp location listed.

Listed for 25 degree C ambient temperature.

WARRANTY — 1-year limited warranty. Complete warranty terms located at: www.acuitybrands.com/CustomerResources/Terms_and_conditions.aspx.

Note: Actual performance may differ as a result of end-user environment and application.

Specifications subject to change without notice.

Catalog Number
Notes
Type



General-Purpose Strip



2', 3', 4', 6' and 8' length
1 or 2 lamps

Specifications

Length:	24" (61.0)
	36" (91.4)
	48" (121.9)
	72" (182.9)
	96" (243.8)
Width:	4-3/8" (11.1)
Fixture Depth:	2-1/16" (5.2)

All dimensions are inches (centimeters) unless otherwise specified.

ORDERING INFORMATION

Lead times will vary depending on options selected. Consult with your sales representative.

Example: C 2 32 MVOLT GEB10IS

Series	Number of lamps	Lamp type	Voltage	Options	
C General-purpose strip For tandem double length unit, add prefix T. Example: TC	1	T8	MVOLT ¹	GEB10IS Electronic ballasts, ≤10%THD, instant start	
	2 lamp not included	17	17W T8 (24")	120	GEB10RS Electronic ballast, ≤10%THD, rapid start ²
		25	25W T8 (36")	277	GEB10PS Electronic ballast, ≤10%THD, programmed start
		32	32W T8 (48")	347	BILP T8 high-efficiency ballast, .78bf (low), instant start
		96T8	59W T8 slimline (96")	Others available	BINP T8 high-performance ballast, .88bf (normal), instant start
		T8HO			BIHP T8 high-performance ballast, 1.20bf (high), instant start
		48T8HO	44W T8 (48")		1/4 One four-lamp ballast ³
		72T8HO	65W T8 (72")		
		96T8HO	86W 380mA (96")		
				GMF Internal slow-blow fuse (add X for external) ⁴	
				PLR_ Plug-in wiring; specify 1, 2, or 3 branch circuits and hot wires (A = Black, B = Red, C = Blue, AB or AC) ⁴	
				TILW Tandem in-line wiring	
				CSA CSA Certified (only required for 347V)	
				NOM NOM Certified	
				AL Aluminum housing; white enamel finish	

Accessories: Order as separate catalog number.

SQ_	Swivel stem hanger (specify length in 2" increments)	HRC1°	Hooker T-bar hanger (1-1/2" from ceiling)
1B	Ceiling spacer (adjusts from 1-1/2" to 2-1/2" from ceiling)	WGCSMR	Wireguard, 4' white for symmetric reflector ⁵
CONLGC	12" screw-on channel connector	WGCASR	Wireguard, 4' white for asymmetric reflector ⁵
WGCUN NST	Wireguard, 4' white ⁵	CSMR48	Symmetric reflector, 4' white, 7" aperture ⁵
HC36	Chain hangers (1 pair, 36" long)	CASR48	Asymmetric reflector, 4' white, 5-3/4" wide ⁵
HRC°	Hooker T-bar hanger (flush to ceiling)		

Notes

- MVOLT standard for 120-277V applications, 50-60 mhz operation. Some options require voltage specified.
- 347V, simline lamps only.
- Not available in slimline.
- Specify voltage.
- Order two for 8' fixtures.

C General-Purpose Strip

MOUNTING DATA

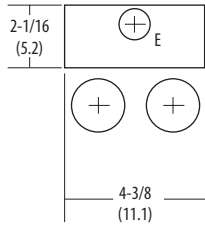
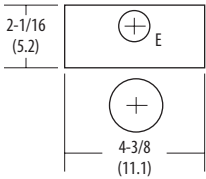
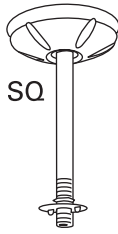
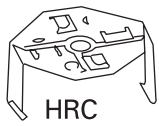
For unit or row installation, surface or suspended mounting.

Unit installation — Minimum of two hangers required.

Row installation — Two hangers per channel required one per fixture plus one per row of CONLGC installed.

Hooker® (HRC) and (HC) Hangers - minimum two per channel (unit and row).

See ACCESSORIES below for hanging devices.



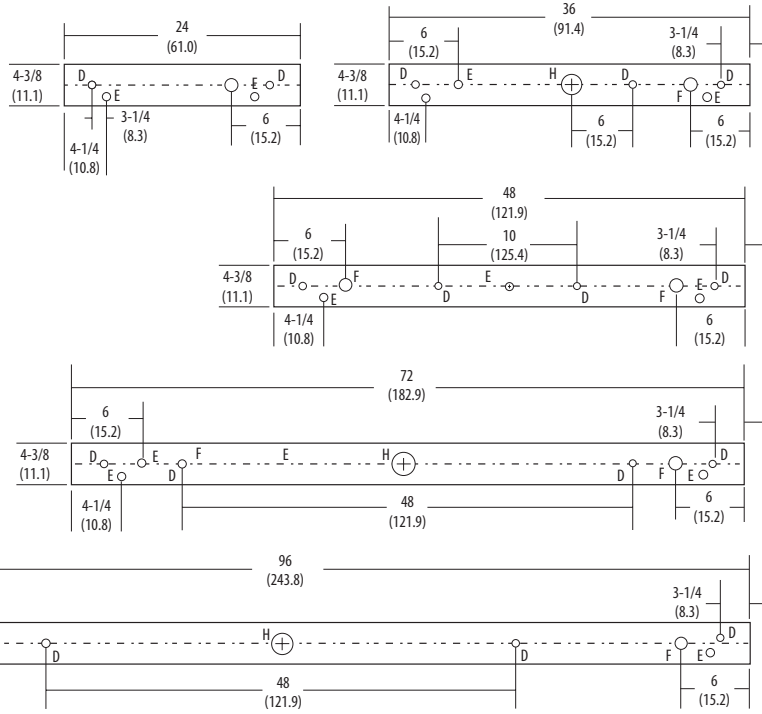
D = 11/16 (1.7) Dia.K.O.
 E = 7/8 (2.2) Dia.K.O.
 F = 1-1/4 (3.2) Dia.K.O.
 H = 2 (5.1) Dia.K.O.

DIMENSIONS

All dimensions in inches (centimeters) unless otherwise specified. Subject to change without notice.

48", 72", and 96" have only two 7/8" K.O.'s 6" from each end.

24" and 36" have only two 7/8" K.O.'s 3-1/4" from each end.



PHOTOMETRICS

See www.lithonia.com for photometry reports.