

### Single Gang Cast Device Boxes & Covers

## 1/2 INCH FS BOX W/O COVER -SGDE



|                       |              |
|-----------------------|--------------|
| <b>Catalog Number</b> | PRFS1        |
| <b>UPC</b>            | 784011205264 |

### Description

PVC coated device boxes and covers, available in several configurations, may be used in coated conduit systems to accommodate wiring devices, to serve as pull boxes for conductors, or to allow for splices and taps in conductors. Electrical continuity of the conduit system is maintained across assembled joints.

### Application

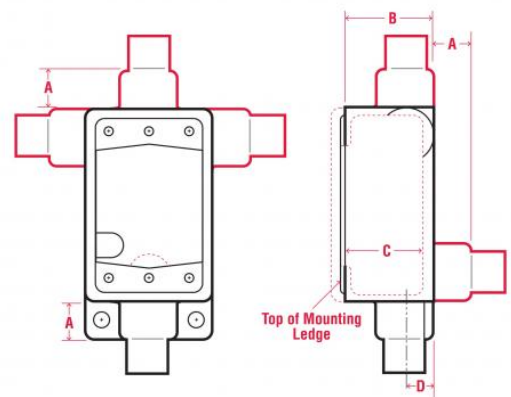
- Used in coated conduit systems to accommodate wiring devices, to serve as pull boxes for conductors, or to allow for splices and taps in conductors

### Features

- 40 mil gray PVC exterior coating
- 2 mil red urethane interior coating
- 3 trade sizes from 1/2" through 1"
- Available in Standard (FS) and Deep (FD) Styles
- Internal grounding screw is standard
- Sealing sleeves on all conduit openings

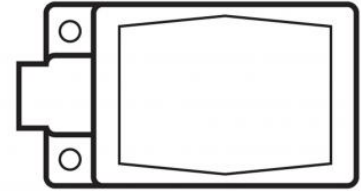
### General Information

|                 |   |
|-----------------|---|
| Trade Size      | 1/2   |
| Material        | FERROUS METAL                                 |
| Material        | FERROUS METAL                                 |
| Exterior Finish | A nominal .040 inch (40 mil) gray PVC coating |
| Interior Finish | A nominal .002 inch (2 mil) red urethane      |
| Body Style      | FS - Shallow                                  |
| Configuration   | Single Gang                                   |
| Feed Type       | Dead End                                      |



### Dimensions

|                         |      |
|-------------------------|------|
| Dimension A (Inches)    | 0.88 |
| Dimension B (Inches)    | 1.92 |
| Dimension C (Inches)    | 1.69 |
| Dimension D (Inches)    | 0.67 |
| Nominal Weight (Pounds) | 3.2  |



### Standards

|               |                  |
|---------------|------------------|
| CSA Certified | CSA C22.2 No. 42 |
| CSA Certified | CSA C22.2 No. 18 |
| UL 514A, 514D | E231035          |

### Technical Specification Documents

|                                   |                      |
|-----------------------------------|----------------------|
| Specification Guide (1995 Master) | AVAILABLE ON WEBSITE |
| Specification Guide (2004 Master) | AVAILABLE ON WEBSITE |
| Installer Certification and Tools | AVAILABLE ON WEBSITE |
| Chemical Resistance Charts        | AVAILABLE ON WEBSITE |
| Performance Specifications        | AVAILABLE ON WEBSITE |

### Technical Information

|                       |  |
|-----------------------|--|
| Conduit Body          | FS                                     |
| Feed Type             | Dead End                               |
| Fitting Configuration | 1GANG                                  |
| Fitting Type          | SHALLOW                                |
| Product Category      | CONDUIT BOX FS/FD                      |
| Product Family        | Single Gang Cast Device Boxes & Covers |

### Notes

- Covers available separately

