

WATERSHED FREE-STANDING SS DISCONNECT



INDUSTRY STANDARDS

UL 508A Listed; Type 3, 3R, 4, 4X, 12; File Number E61997
 cUL Listed per CSA C22.2 No. 94; Type 3, 3R, 4, 4X, 12; File No. E61997

NSF 169
 NEMA/EEMAC: Type 3R, 4, 4X, 12
 IEC 60529, IP66
Meets NEMA Type 3RX requirements

APPLICATION

The Hoffman WATERSHED stainless steel free-stand disconnect enclosure, with its unique design and type 4X rating, is a perfect fit for mounting electrical or high-tech electronic equipment in settings such as sanitary washdown production environments, petrochemical plants, pulp and paper facilities, and water treatment plants.

SPECIFICATIONS

- Manufactured from 12 gauge Type 304 stainless steel; back is 10 gauge
- Seams continuously welded and ground smooth
- Smooth Type 304 stainless steel lift-off bullet-style hinges
- Hinges are shielded by door edges
- Hinged side of door has provisions to allow direct flushing of hinge area
- 20-degree sloped top facilitates runoff of water and cleaning solutions and prohibits placement of objects on top of enclosure
- 170-degree door opening
- Door edges are sloped 20 degrees at top and bottom edges to facilitate runoff
- Slanted flange trough collar prohibits pooling of fluids along the top edge of the enclosure opening
- Heavy-duty three-point latching mechanism operated by a Type 316 stainless steel POWERGLIDE padlocking handle on all doors
- Master door has POWERGLIDE handle with integral screwdriver defeater
- Mechanical interlock activated by master door prevents slave doors from being opened first. Doors can be closed in any order.
- Master door is far right-hand door on all enclosures
- Seamless foam-in-place one-piece gasket provides an oil-tight, watertight and dust-tight seal against contaminants
- Bonding provision on doors; grounding stud on body
- Accessory mounting channel provided in enclosure top
- Heavy-duty lifting eyes are Type 316 stainless steel
- Removable centerpost permits easy panel installation
- Panel studs accept optional NEMA-size panels
- Preferred cutout on right flange provides mounting for most disconnect operators
- Mounting holes in bottom of enclosure for direct mounting or for optional sanitary legs or stainless steel floor stands
- Furnished hardware kit consists of panel mounting nuts, grounding hardware and hole seals for bottom mounting holes

FINISH

Stainless steel enclosures are unpainted. External surfaces have a #4 brushed finish. Optional mild steel panels are painted white. Optional conductive panels are available.

ACCESSORIES

See also Accessories.
 Industrial Corrosion Inhibitors
 Floor Stand Kit
 Panels for Type 3R, 4, 4X, 12 and 13 Enclosures
 Operator Adapters for Preferred Cutouts
 Sanitary Leg Kits
An operator adapter for a preferred cutout must be ordered separately.

BULLETIN: WS2D

Standard Product

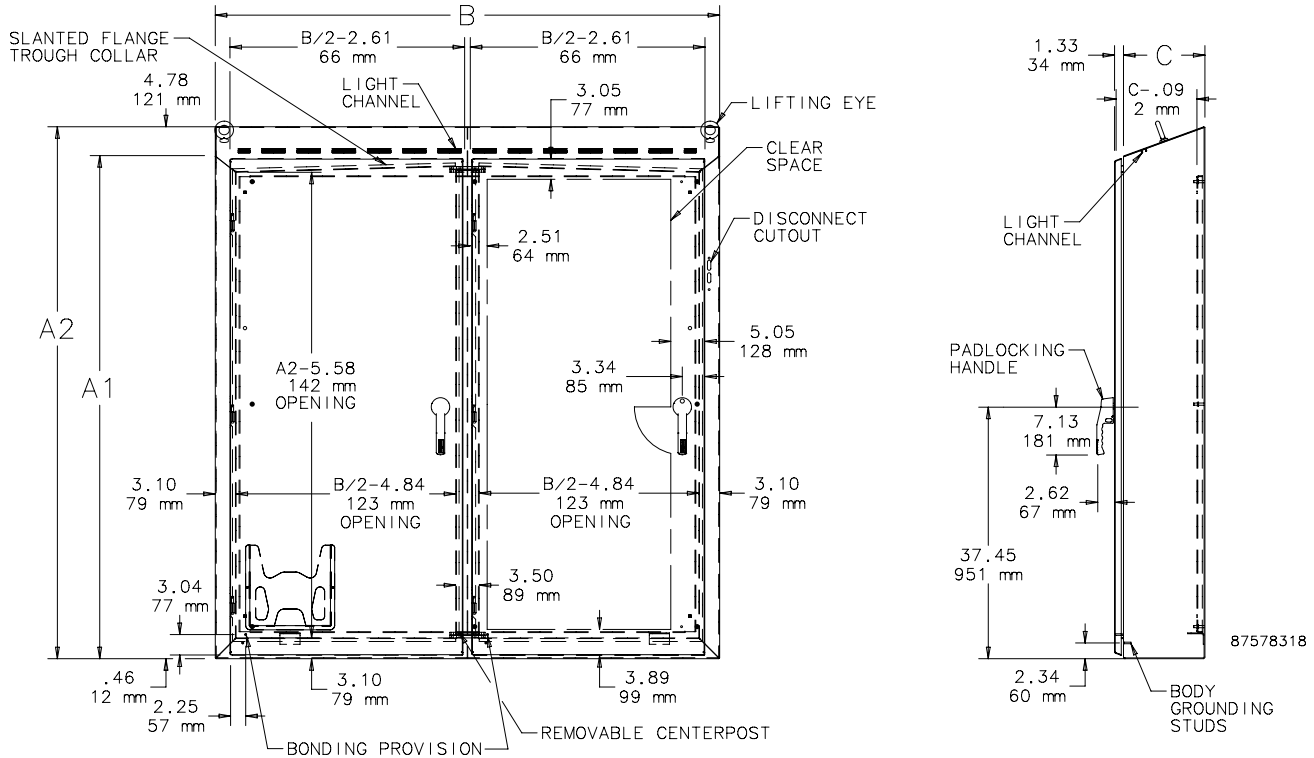
Catalog Number	AxBxC in./mm	A1 in./mm	A2 in./mm	B in./mm	C in./mm	Panel	Conductive Panel
WS62XM5112SS	62.00 x 51.00 x 12.00	62.81	67.20	51.09	12.12	A60P48	A60P48G
	1575 x 1295 x 305	1595	1707	1298	308		
WS62XM5118SS	62.00 x 51.00 x 18.00	62.81	67.20	51.09	18.12	A60P48	A60P48G
	1575 x 1295 x 457	1595	1707	1298	460		
WS62XM6312SS	62.00 x 63.00 x 12.00	62.81	67.20	63.09	12.12	A60P60	A60P60G
	1575 x 1600 x 305	1595	1707	1602	305		
WS62XM6318SS	62.00 x 63.00 x 18.00	62.81	67.20	63.09	18.12	A60P60	A60P60G
	1575 x 1600 x 457	1595	1707	1602	460		
WS74XM6312SS	74.00 x 63.00 x 12.00	74.81	79.20	63.09	12.12	A72P60	A72P60G
	1880 x 1600 x 305	1900	2012	1602	305		
WS74XM6318SS	74.00 x 63.00 x 18.00	74.81	81.38	63.09	18.12	A72P60	A72P60G
	1880 x 1600 x 457	1900	2067	1602	460		
WS74XM7512SS	74.00 x 75.00 x 12.00	74.81	79.20	75.09	12.12	A72P72	A72P72G
	1880 x 1905 x 305	1900	2012	1907	305		
WS74XM7518SS	74.00 x 75.00 x 18.00	74.81	81.38	75.09	18.12	A72P72	A72P72G
	1880 x 1905 x 457	1900	2067	1907	460		
WS74XM7524SS	74.00 x 75.00 x 24.00	74.81	83.57	75.09	24.12	A72P72	A72P72G
	1880 x 1905 x 610	1900	2123	1907	613		

A x B x C are nominal dimensions.

Purchase panels separately.

All 24.12-in. (613-mm) and deeper enclosures using short connecting rods by the following manufacturers require a Hoffman platform assembly, catalog number ADSCPA, purchased separately. • ABB Controls flange-operated devices • Cutler-Hammer C361 devices • Eaton Cutler-Hammer C371 mechanisms which use C371E, F, G, K operating mechanism (see next paragraph for option) • General Electric Type TDA devices (see next paragraph for option) • Schneider Square D Class 9422 devices (see next paragraph for option)

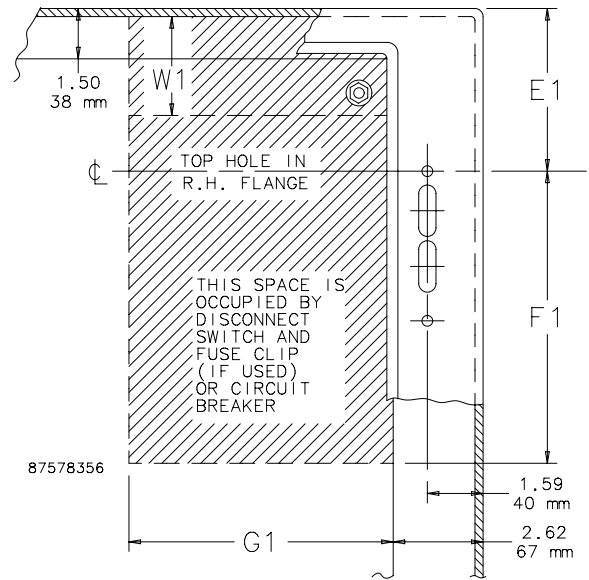
The platform assembly can be omitted if long connecting rods are ordered in place of short connecting rods. • For Eaton Cutler-Hammer operating mechanisms C371E and C371F order catalog number C371CS1 connecting rod. For C371G and C371K order catalog number C371CS2 connecting rod. • For General Electric devices, order catalog number TDSR extended length drive rod • For Schneider Square D devices, order catalog number 9422-R2 extra long operating rod(s). Some devices require two rods. Consult factory for space occupied on panel when platform is used.



DISCONNECT MOUNTING SPACE

Disconnects are located by dimension E1. Wiring space W1 is available when disconnect is installed in the enclosure.
 E1 = 8.62 in. (219 mm) when C = 8.00 in. (203 mm)
 E1 = 11.62 in. (295 mm) when C = 12.00 in. (305 mm)
 W1 = Wiring Space.

See Technical Information for wire bend space.
 Refer to *National Electrical Code*® 2005 article 430.10(B) for wiring space required for line side conductors to be connected to disconnect. Verify your application to determine if wiring space is adequate.
Verify your application to determine if wiring space is adequate.



Consult disconnect manufacturer for F1 and G1 dimensions.

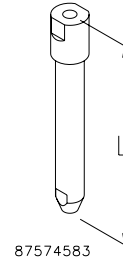
SANITARY LEG KITS



Sanitary Leg Kits provide space between the enclosure and the floor for better washdown accessibility. Available with fixed or independently adjustable legs. Adjustable leg shown. Four legs per kit. Maintains NEMA Type 4X rating when properly installed on a Hoffman Type 4X enclosure.

BULLETIN: WSY

Catalog Number	Description	L (in.)	L (mm)
WSASKSS	Adjustable Sanitary Leg Kit	11.50-12.50	292-318
WSFLKSS	Fixed Sanitary Leg Kit	12.00	305



PREFERRED-CUTOUT OVERVIEW



APPLICATION

Enclosures having the preferred cutout are sized for use with up to 200A disconnect switches and up to 400A circuit breakers unless otherwise specified. The preferred cutout accepts the smaller operating handle whose mounting hole centers are 4.688 in. apart. Preferred cutouts are standard in mild steel wall-mount enclosures, modular enclosures and some select large mild steel enclosures. They are also present on all standard stainless steel offerings. 400 A (or greater) disconnect switches and 600 A (or greater) circuit breakers require the "Large" or "High Amp" cutout. This cutout accepts the larger operating handle whose mounting hole centers are 6.500-in. apart. This large cutout is only available on PROLINE-DD Disconnect Packages and Type 1 Free-Stand Enclosures.

Operator adapter for preferred cutouts must be ordered separately to be used with A21S, A28S4, A4S and WS2D enclosures. Preferred cutouts are designed to house the following:

Allen-Bradley

- Bulletin 1494U universal disconnect switches with flange-mount handles for either variable-depth or cable-operated mechanisms

- Bulletin 1494V disconnect switches with flange-mount variable-depth operating mechanisms and Bulletin 1494V flange-mount variable-depth operating mechanisms for circuit breakers
 - Bulletin 140U flexible cable operating mechanisms for 140U molded case circuit breakers
 - Bulletin 140G flexible cable and variable-depth, flange-mount, molded case circuit breakers
 - Bulletin 1494C cable-operated disconnect switches with flange-mount handles
 - Bulletin 194RC cable-operated flange-mount handles for use with the NFPA 79 compliant 194R IEC rotary disconnect switches
- Allen-Bradley Bulletin 1494V-R1, -R2 and -W2 operating handles and Allen-Bradley Bulletin 1494F disconnect devices or Bulletin 1494D circuit breaker operators will NOT fit these enclosures.**

ABB Controls flange-mount variable-depth operating mechanisms for disconnect switches and circuit breakers. Also the cable version for circuit breakers.

Eaton Cutler-Hammer Type C361 flange-mount variable-depth operating mechanisms with disconnect switches and Type C371 flange-mount variable-depth operating mechanisms for circuit breakers.

General Electric Type STDA flange handles and variable-depth operating mechanisms for disconnect switches and circuit breakers. Also SPECTRAFLEX cable operators for circuit breakers.

Siemens ITE MAX FLEX® flange-mount variable-depth operating handles for circuit breakers.

Schneider Square D® Class 9422 disconnect switches with flange-mount variable-depth operating mechanisms or cable mechanisms and Class 9422 flange-mount variable-depth operating mechanisms or cable mechanisms for circuit breakers.

These enclosures will NOT accept Square D Class 9422 bracket-mounted disconnect devices, Class 9422TG1 or TG2 devices.

ORDERING

Order the disconnect switch, operating handle and operating mechanism separately. See Technical Information in the Hoffman Specifier's Guide for wire bend space available when various manufacturers' disconnect switches are installed. Check the enclosure dimension drawings to verify the chosen disconnect switch will fit in the enclosure.