




[Catalog Home](#)

Product Datasheet

ANDERSON FARGO

TSCHT150

Product Specifications

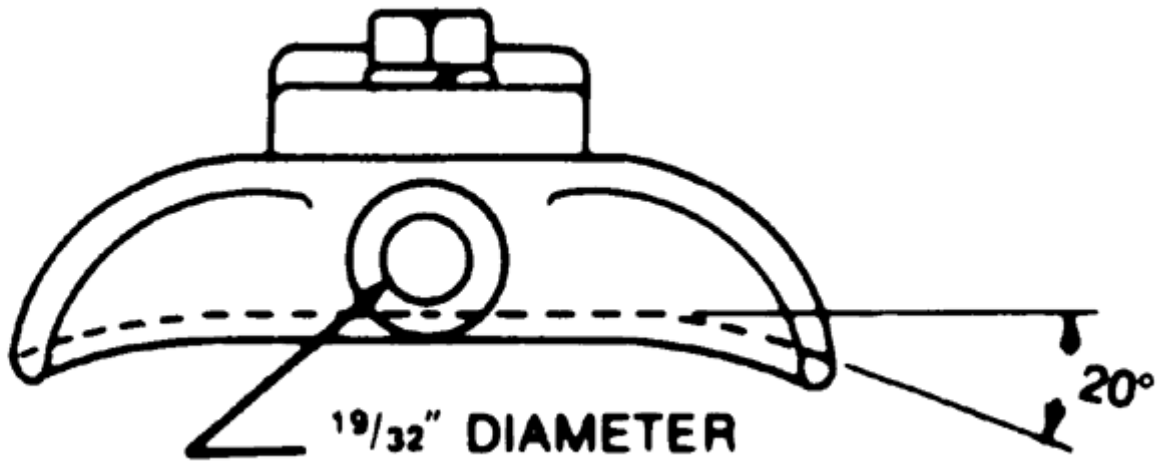
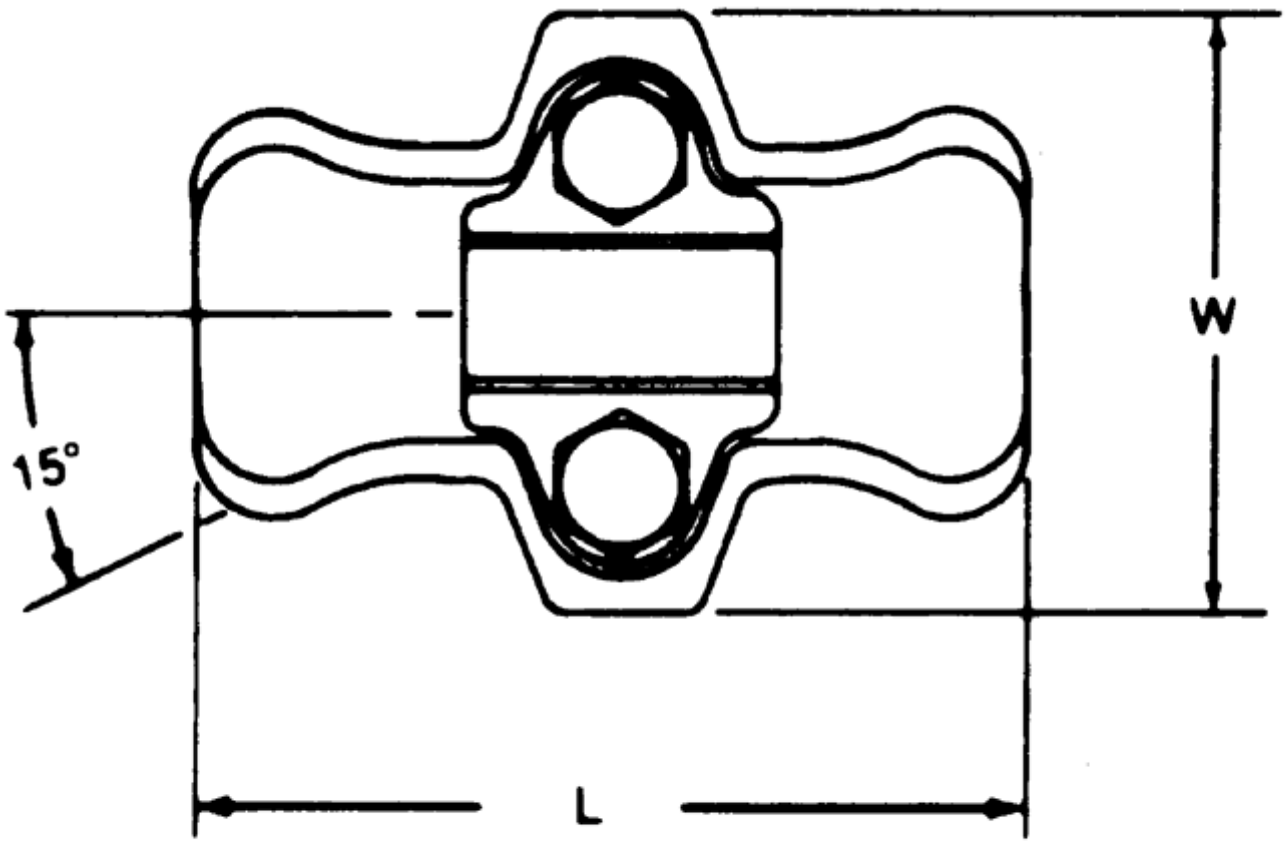
Series	 <p>TSC & TSCHT series Standard Voltage, Aluminum & High Temp Aluminum</p>
PDF Catalog Page	Click HERE to view the web page.
With Anti-Static Springs	No
Clamp Material	Aluminum, Hi-Temp alloy
Ultimate Body Strength	2,800 lbs (1,270 kgs)
Maximum Take-off Angle 0	20
Dimension J	0.500 in (12.7 mm)
Dimension L	5.25 in (133.3 mm)
Dimension W	3.88 in (98.4 mm)
Hardware Material	Galvanized Steel
Minimum - Maximum Conductor Size	ACSS 266.8 kcmil (26/7) w/Armor Rods thru ACSS 605.0 kcmil (26/7) w/Armor Rods
Voltage Application	Standard
Material Type	Non-Standard
UPC Code	09635939944
Standard Package	1
Standard Package Unit	Each
Min Order Qty	1
Weight / Ea.	1.343 lbs

Features

Permanent marks include the IEC standard symbol for HOT surface, symbol located for visibility from the ground with binoculars.

Compressed Product Number

TSCHT150



[Catalog Home](#)



[Warranty Info](#) | [Trademarks](#) | [Terms of Use](#)

All contents Copyright © 2007 Hubbell Power Systems, Inc. All rights reserved.

NOTE: Because Hubbell has a policy of continuous product improvement, we reserve the right to change design and specifications without notice.