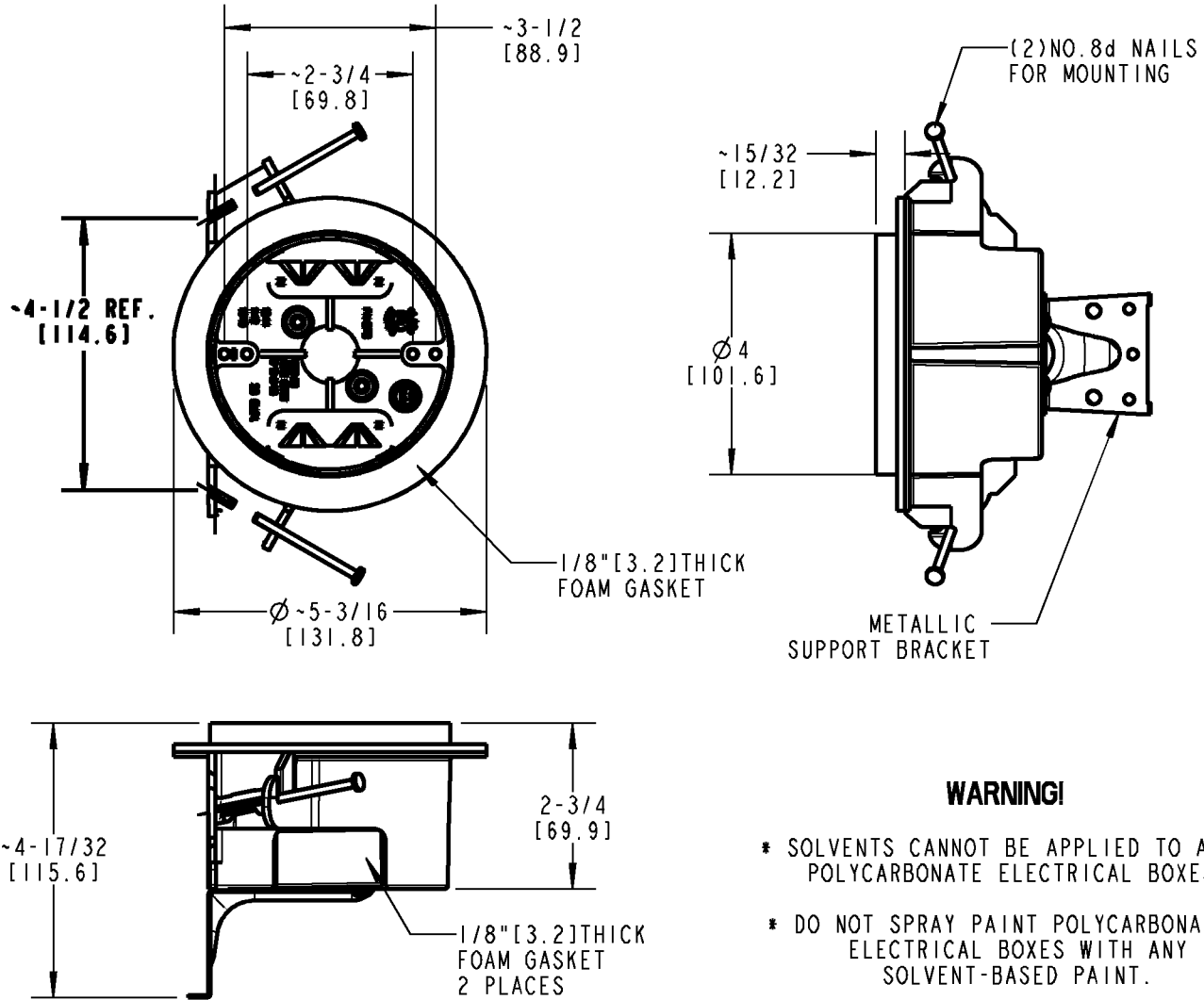




Union

NOTES:

- 01- $\varnothing 4"$ [101.6], 26 CU. IN. [426cc's] NAIL-ON VAPOR-TIGHT CEILING OUTLET BOX WITH "V" CLAMPS FOR NON-METALLIC SHEATHED CABLE, WITH 2 ANGLED MOUNTING NAILS AND METALLIC SUPPORT BRACKET.
- 02- MEETS NEC 370-27 (a) & (c) EXCEPTION: LISTED FOR FANS UP TO 35 LBS [15.9Kg.] SUPPORT AND FIXTURES UP TO 50 LBS [22.7 Kg].
- 03- MAX NUMBER OF WIRES IN BOX PER SIZE: 13/14AWG, 11/12AWG, & 10/10AWG.



WARNING!

- * SOLVENTS CANNOT BE APPLIED TO ANY POLYCARBONATE ELECTRICAL BOXES.
- * DO NOT SPRAY PAINT POLYCARBONATE ELECTRICAL BOXES WITH ANY SOLVENT-BASED PAINT.
- * DO NOT SPRAY PAINT POLYCARBONATE ELECTRICAL BOXES WITH SPRAY PAINT APPLICATION WHICH INCLUDES ANY SOLVENT.

CATALOG NO. FN-CFB

GENERAL NOTES		Thomas & Betts A Member of the ABB Group			
1. ALL DIMENSIONS ARE FOR REFERENCE ONLY. 2. DIMENSIONS IN BRACKETS [] ARE IN METRIC UNITS.					
REVISIONS		DESCRIPTION: NAIL-ON VAPOR-TIGHT CEILING BOX			
1. SEE ERN 2016537 FOR APPROVAL SIGNATURES & RELEASE DATE. PROJECT NO: NM400330		ORIGINAL PROJECT NO / (ERN NO)	SHEET NO:	REV. NO:	DRAWING NO:
		NM400330 / (2006427)	1 OF 1	1	WSD-000251