



► Model 350TR

Vibratone® Horns

Model 350TR Vibratone® Horn produces a loud tone by the electro-mechanical vibration of a diaphragm. Its compact size, loud output and heavy-duty construction makes the 350TR ideal for industrial and institutional signaling applications. It's popularly used for general alarming, start and dismissal noticing, coded paging and process control in noisy areas.

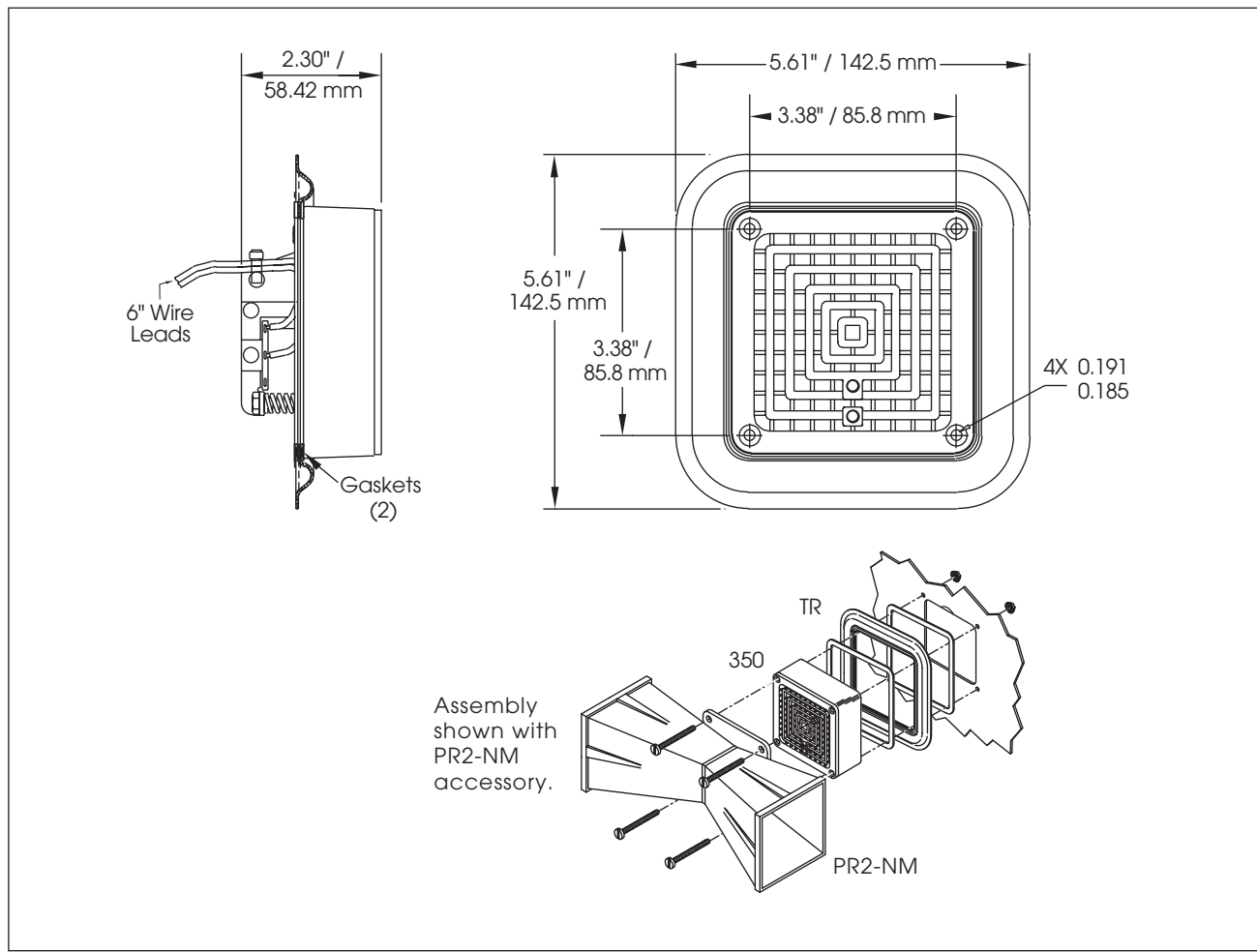
The 350TR offers the benefits of quick and simple surface mount installation as each horn is supplied with a gasketed trim ring. The 350TR is enclosed in a zinc die-cast housing and sealed with grey powder-coat paint with a stainless steel diaphragm.

FEATURES

- Model 350TR – 24VAC and 120VAC
- 100 dBa @ 10' (110 dBa @ 1m)
- Coded or sustained tones
- Type 4X and Type 12 enclosure
- UL and cUL Listed, CSA Certified and FM Approved

MODEL	VOLTAGE	OPERATING CURRENT	DECIBELS	
			10'	1M
350TR-024	24VAC 50/60Hz	0.90 amps	100	110
350TR-120	120VAC 50/60Hz	0.18 amps	100	110

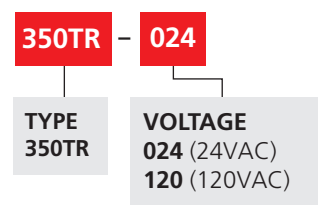
Vibratone® Horns (350TR)



SPECIFICATIONS

Operating Temperature:	-65°F to 150°F	-54°C to 66°C
Net Weight:	1.7 lbs	0.77 kg
Shipping Weight:	1.8 lbs	0.81 kg
Height:	5.61"	142.5 mm
Width:	5.61"	142.5 mm
Depth:	2.30"	58.42 mm

HOW TO ORDER



REPLACEMENT PARTS

Description	Part Number
Volume Control Kit	K8435663B
Coil, 120VAC	KFC1516C
Coil, 240VAC	KFC1506C

OPTIONAL ACCESSORIES

Description	Part Number
Non-metallic double projector directs sounds to both sides when attached to 350/450E models; ideal for use in hallways; 4" H x 11-1/2" W x 4" D; shipping weight 1 lb (0.45kg)	PR2-NM

