

SIZES 12 THRU 64

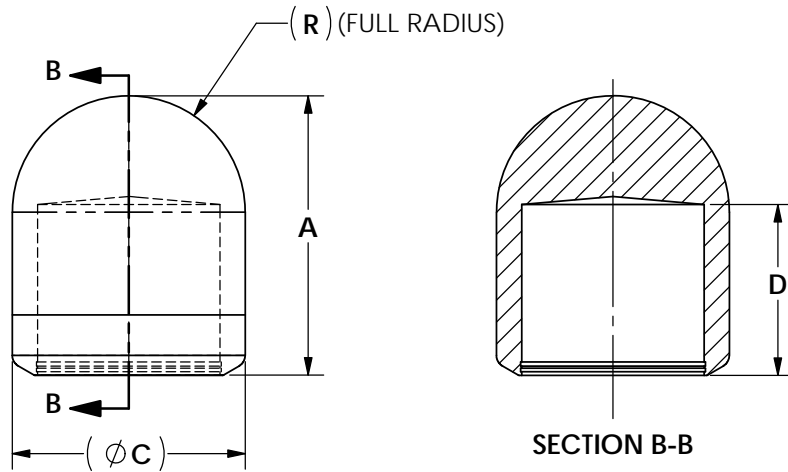


TABLE 1: DIMENSIONS

ASSEMBLY PART NUMBER	BUS SIZE (NPS)	A ±.040	(ØC)	D ±.030	(R)
PLK1360D12	3/4	3.250	2.000	2.250	1.000
PLK1360D16	1	3.250	2.000	2.250	1.000
PLK1360D20	1 1/4	3.500	2.500	2.250	1.250
PLK1360D24	1 1/2	3.500	2.500	2.250	1.250
PLK1360D32	2	4.000	3.000	2.750	1.500
PLK1360D40	2 1/2	4.500	3.750	2.750	1.875
PLK1360D48	3	5.000	4.375	3.250	2.188
PLK1360D56	3 1/2	5.500	5.000	3.250	2.500
PLK1360D64	4	5.750	5.500	3.250	2.750

SIZES 80 THRU 96

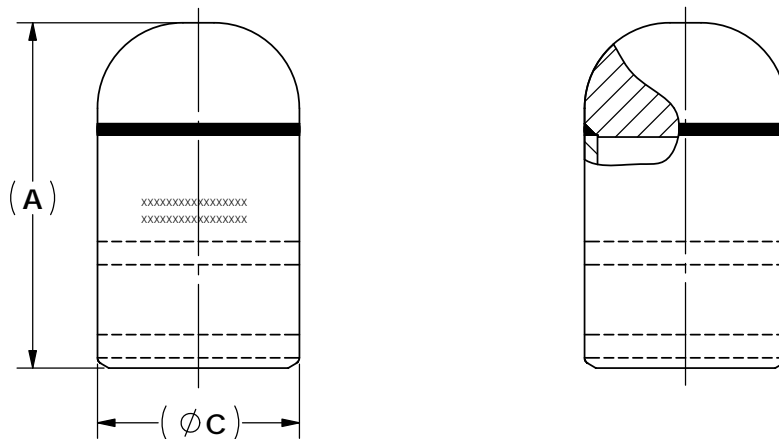


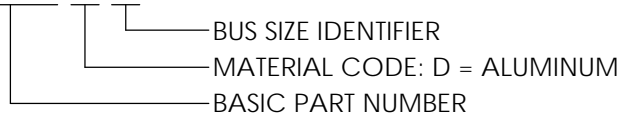
TABLE 2: BILL OF MATERIAL

ASSEMBLY PART NUMBER	BUS SIZE (NPS)	(A)	(ØC)
PLK1360D80	5	11.11	6.50
PLK1360D96	6	12.85	8.00

THIS DRAWING AND THE INFORMATION CONTAINED HEREIN ARE THE PROPERTY OF DMC POWER AND SHALL NOT BE COPIED, REPRODUCED OR DISCLOSED WITHOUT EXPRESS AUTHORIZATION BY DMC POWER.

LEGEND

PLK1360 - CUT SHEET D XX



THIS DRAWING AND THE INFORMATION CONTAINED HEREIN ARE THE PROPERTY OF DMC POWER AND SHALL NOT BE COPIED, REPRODUCED OR DISCLOSED WITHOUT EXPRESS AUTHORIZATION BY DMC POWER.