

Straight Blade Devices
20A, 125V, 2 Pole, 3 Wire Grounding
 Hubbell-Pro™ Heavy Duty Duplex Receptacles

HUBBELL

Features

- Slender/compact design
- Finder Groove Face
- Triple wipe contacts

Ordering Information

Description	Device Color	UPC	Catalog Number
Back and side wired	Brown	783585834986	5362B

Listings

UL Listed to UL498 File No. E2186
 Certified to CSA 22.2, No. 42
 Fed. Spec. W-C-596
 NEMA® WD-6 Compliant

Specifications

Face	Nylon
Base	PBT
Contacts	Brass
Mounting Strap	Galvanized steel
Automatic Self-grounding Staple	Stainless steel
Mounting Screws	Zinc plated steel

Performance

Electrical

Current Interrupting Certified for current interrupting at full rated current
 Dielectric Voltage Withstands 2,000V minimum

Mechanical

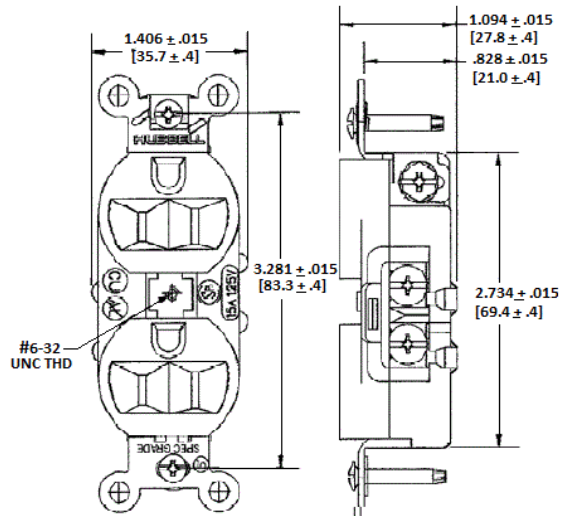
Product Identification Ratings are a permanent part of the device
 Terminal Accommodation #12-#10 AWG copper stranded or solid conductor only
 Terminal Identification Terminal wire leads identified in accordance with UL 498

Environmental

Flammability UL 94 V-2
 Operating Temperatures Maximum continuous 75°C; minimum -40°C (w/o impact)



20A 125V
NEMA 5-20R
 UL CSA
 1 HP



Online Resources

Customer Use Drawing
 eCatalog
 Installation Instructions

Accessories

Wallplate or Weatherproof Cover

Duplex Opening

Dimensions in Inches (mm)

Hubbell Wiring Device-Kellems • Hubbell Incorporated (Delaware) • 40 Waterview Drive • Shelton, CT 06484

Phone (800) 288-6000 • Fax (800) 255-1031 • Specifications subject to change without notice.

