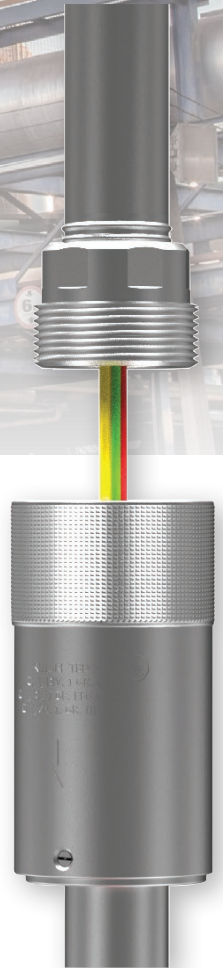




FITTINGS



# KILLARK® EZ SEAL

Next Generation of  
Hazardous-Rated Seal Fittings



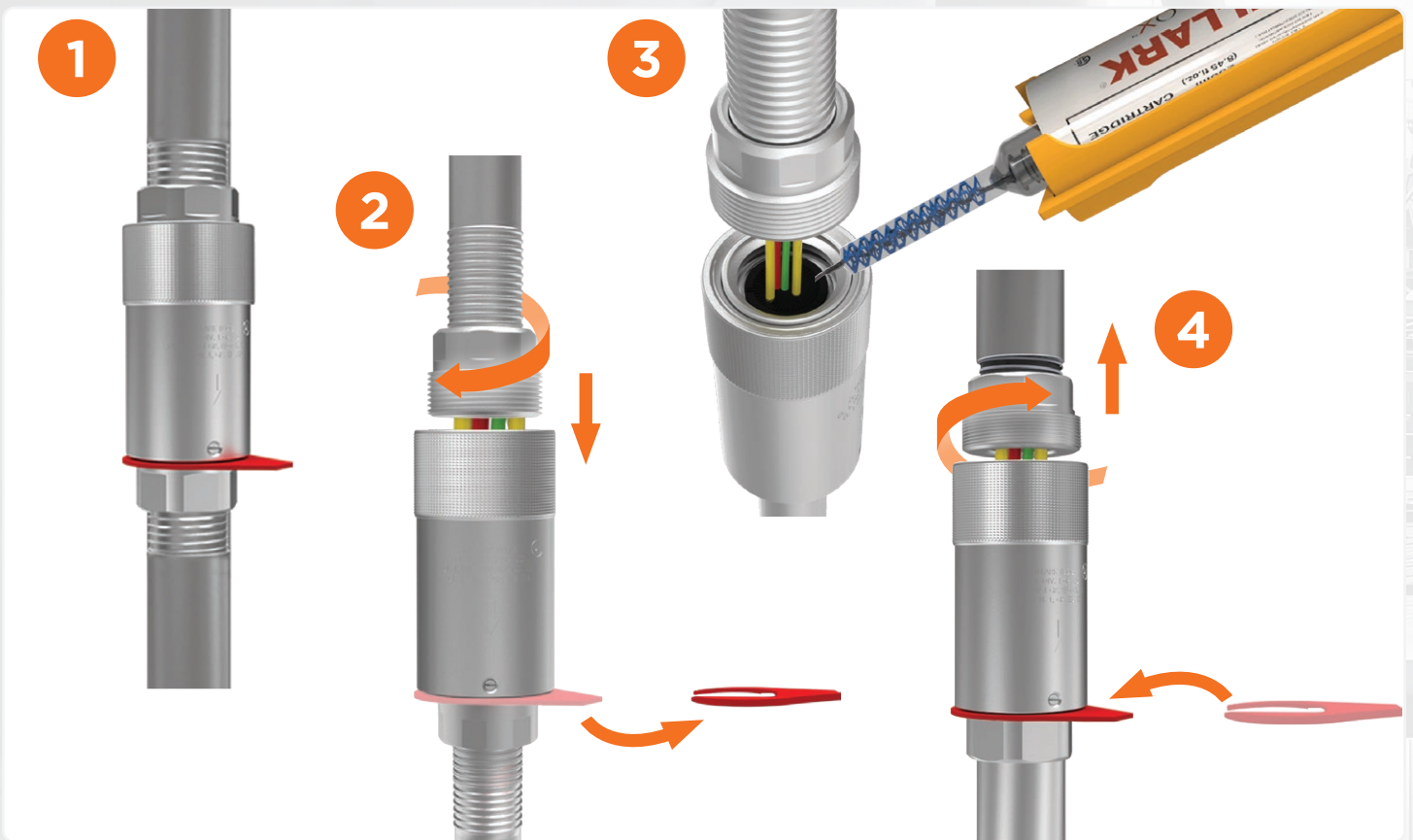
# Your solution to the world's most frustrating problems when pouring seals!

Killark's patent pending EZ Seal offers the fastest and safest way to pour vertical seal fittings for hazardous area conduit systems. Its revolutionary design requires virtually zero pre-pour preparation.

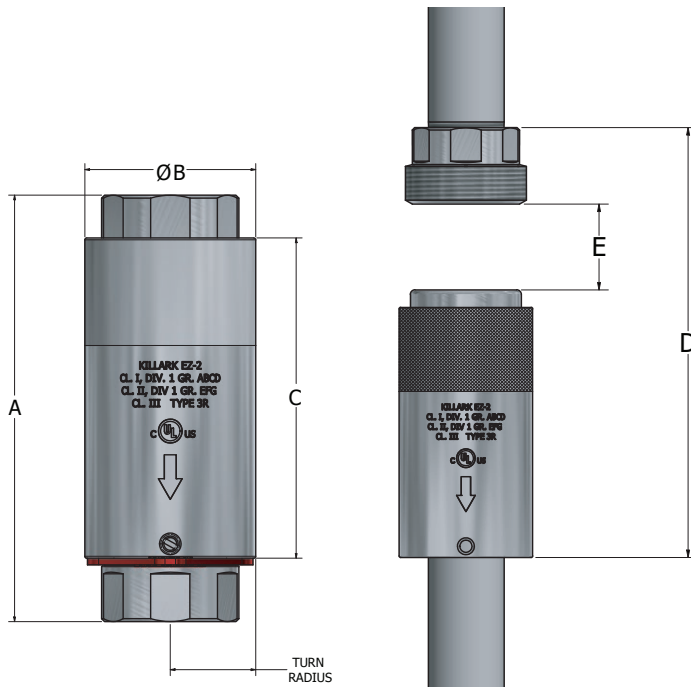
The EZ Seal is the only seal-off on the market that allows for 360 degrees of unimpeded access to the conductors with minimal packing fiber required to dam the seal.

No more tooling or frustrating attempts to separate the wires during the prepping process due to limited space. Use everyone's favorite two-part epoxy resin, CELOX™, as the compound solution for fastest results.

The seal is installed like most standard seals but what makes it EZ is...



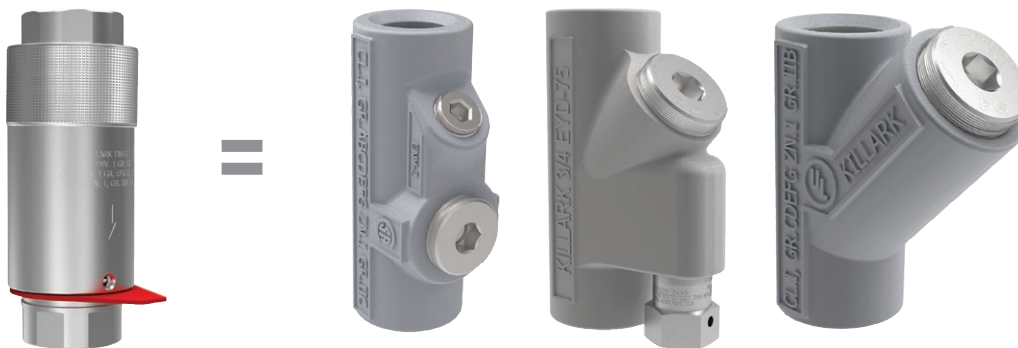
- 1 Install your conduit seal and pull wires
- 2 Pull the EZ tab then unscrew the middle coupler, and slide it down to access the potting chamber
- 3 The disc brush nylon fibers will act as a dam for your SC Compound or CELOX™ to be poured
- 4 Slide middle coupler back up, tighten, then replace the EZ Tab with "seal poured" indication



Class I, Div. 1 & 2, Groups A, B, C, D  
 Class I, Zone 1, Groups IIC, IIB, IIA  
 Class II, Div. 1 & 2, Groups E, F, G  
 Class III  
 Type 3R

EZ SEAL SERIES (VERTICAL SEALS ONLY)									
HUB SIZE	CATALOG NUMBER			DIMENSIONS					
	ALUMINUM	ZINC PLATED STEEL	316 STAINLESS	A	B	C	D	E	TURN RADIUS
1/2"	EZ 1	EZ 1S	EZ 1SS	4.45	1.60	3.15	5.45	1.06	0.80
3/4"	EZ 2	EZ 2S	EZ 2SS	4.44	1.60	3.15	5.76	1.15	0.80
1"	EZ 3	EZ 3S	EZ 3SS	5.08	1.96	3.60	6.24	1.15	0.98

**EZ Seal Offers Same Solution as Up to 3 Seals...And it's RETROFITTABLE!**





## Complementary products

Class I, Div. 1 & 2, Groups A, B, C, D  
 Class II, Div. 1 & 2, Groups E, F, G  
 Class III



**Save the hassle of prepping compound by using CELOX quick sealing resin.**

- Two-part epoxy resin, self-mixed through a patented nozzle
- Eliminates waste as each tube is reusable
- Cures faster in colder climates
- Single tube style design for simple use
- Replacement nozzles and dispensing guns available

**Combine the worlds fastest compound, CELOX with the new EZ Seal and you have the fastest installed Seal on the market!**

SEALING COMPOUND	
CATALOG NUMBER	SIZE PACKAGE
KQS-050 ML	50 ml (1.7 oz)
KQS-250 ML	250 ml (8.45 oz)

*\*includes 4 static mixing nozzles*

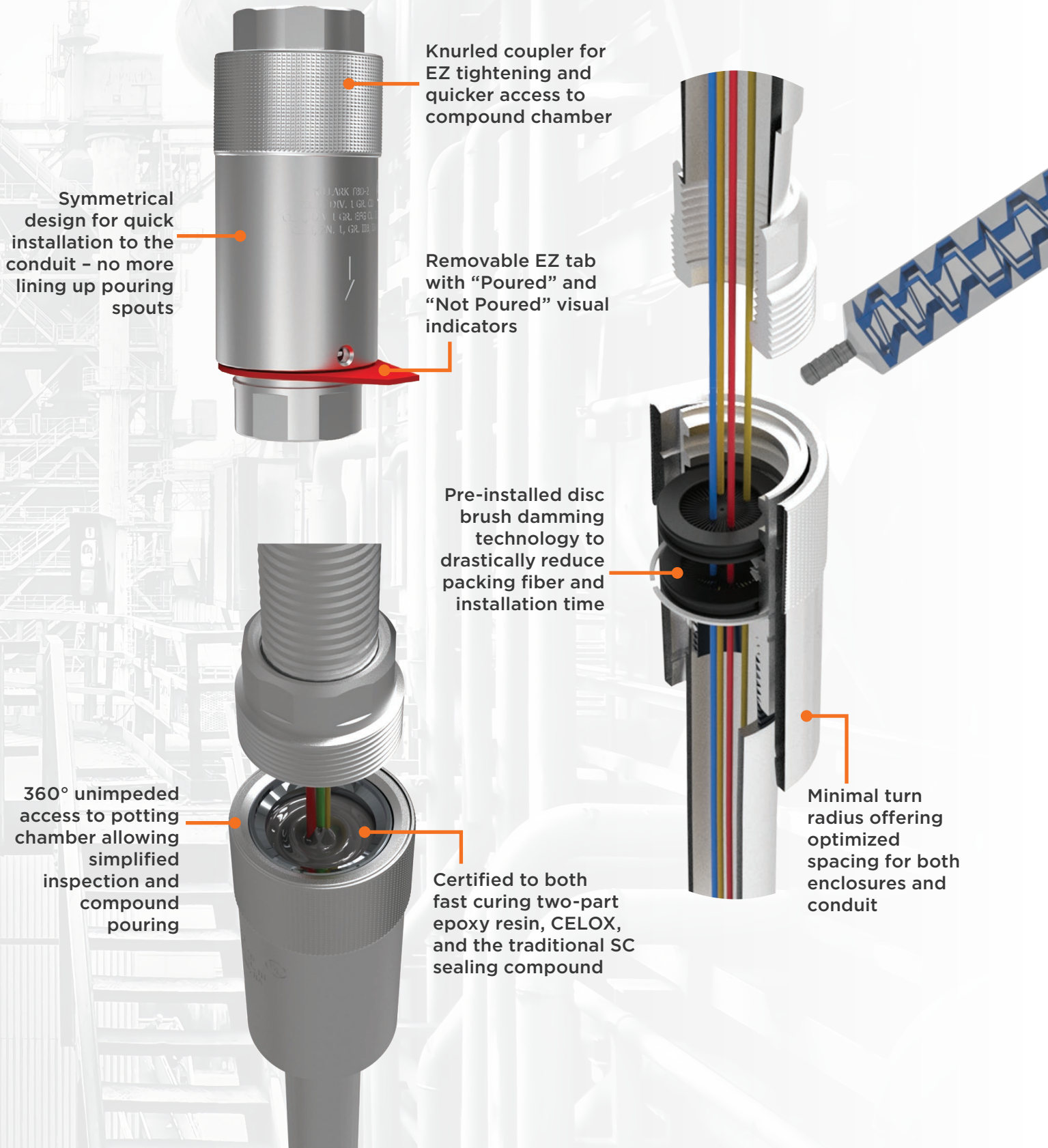
DISPENSING GUN	
CATALOG NUMBER	SIZE CARTRIDGE
KQS-050 GUN	50ml Cartridge
KQS-250 GUN	250ml Cartridge

REPLACEMENT NOZZLES	
CATALOG NUMBER	SIZE NOZZLE
KQS-050 NOZ	50ml Cartridge Nozzle (5 per)
KQS-250 NOZ	250ml Cartridge Nozzle (5 per)

CELOX KIT	
CATALOG NUMBER	KIT INCLUDES
KQS-050 KIT	(4) 50ml Cartridges (16) Mixing Nozzles (1) Disp. Gun (1) 4oz Packing Fiber



# The Next Generation of Vertical Seal Fittings



Knurled coupler for EZ tightening and quicker access to compound chamber

Symmetrical design for quick installation to the conduit - no more lining up pouring spouts

Removable EZ tab with "Poured" and "Not Poured" visual indicators

Pre-installed disc brush damming technology to drastically reduce packing fiber and installation time

360° unimpeded access to potting chamber allowing simplified inspection and compound pouring

Certified to both fast curing two-part epoxy resin, CELOX, and the traditional SC sealing compound

Minimal turn radius offering optimized spacing for both enclosures and conduit



# KILLARK®

© 2022 Killark. All rights reserved.

2112 Fenton Logistics Park Blvd., Fenton, MO 63026 | 314-531-0460

[www.hubbell.com/killark](http://www.hubbell.com/killark) | [killarkin@hubbell.com](mailto:killarkin@hubbell.com)

LI-KIL-BR-EN-00241 12-22

## **Hubbell Canada LP**

870 Brock Road South

Pickering, Ontario L1W 1Z8

(905) 839-1138 | [infohclp@hubbell-canada.com](mailto:infohclp@hubbell-canada.com)

## **Hubbell Products Mexico**

Calle 5 Sur No. 105 Col. Parque Ind. Toluca 2000

Toluca Edo. Mex. CP 50200

(01 52) 559-151-9999 | [info@hubbell.com.mx](mailto:info@hubbell.com.mx)



A proud member of the Hubbell family.