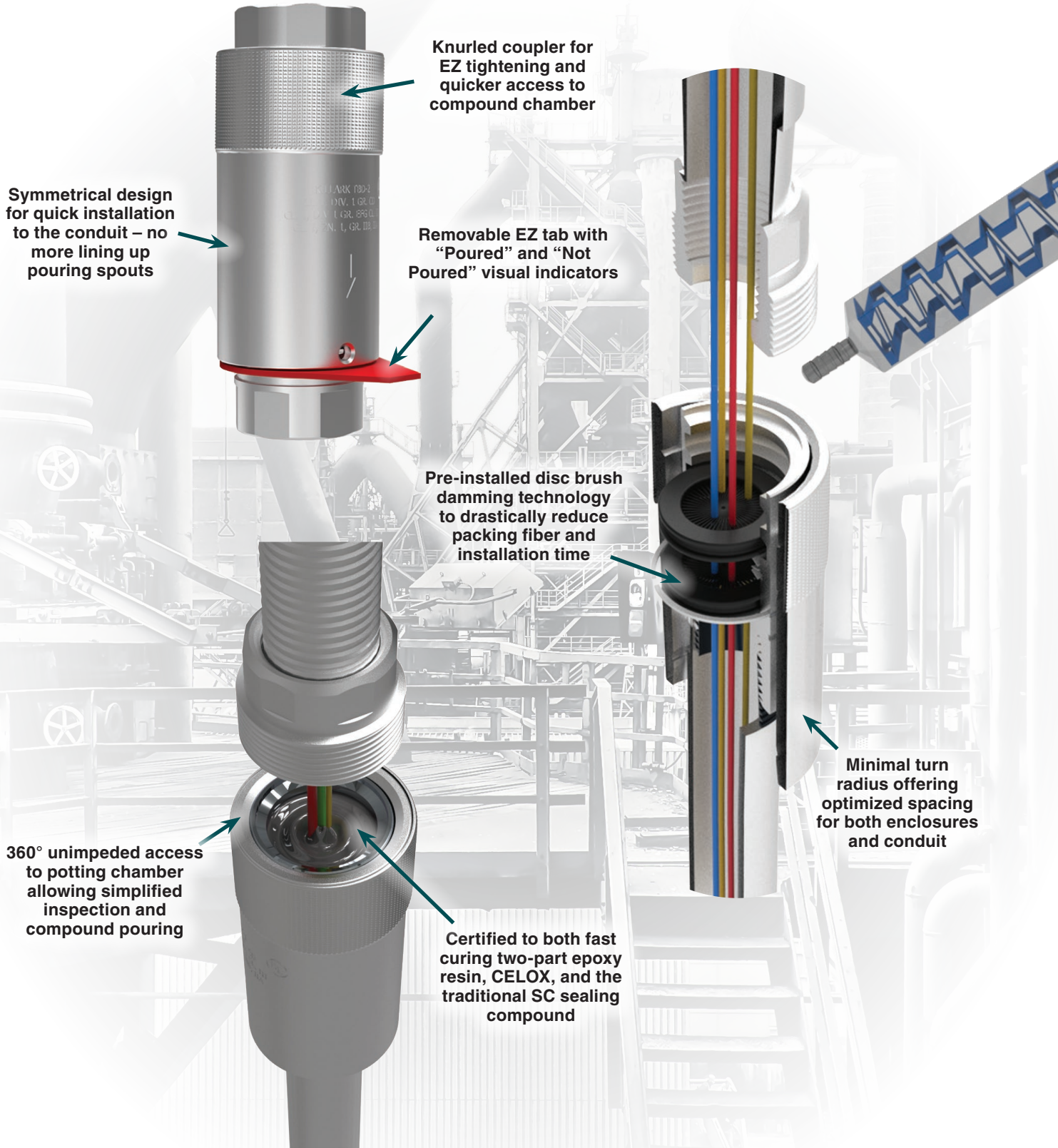




THE NEXT GENERATION OF VERTICAL SEAL FITTINGS



Knurled coupler for EZ tightening and quicker access to compound chamber

Symmetrical design for quick installation to the conduit – no more lining up pouring spouts

Removable EZ tab with “Poured” and “Not Poured” visual indicators

Pre-installed disc brush damming technology to drastically reduce packing fiber and installation time

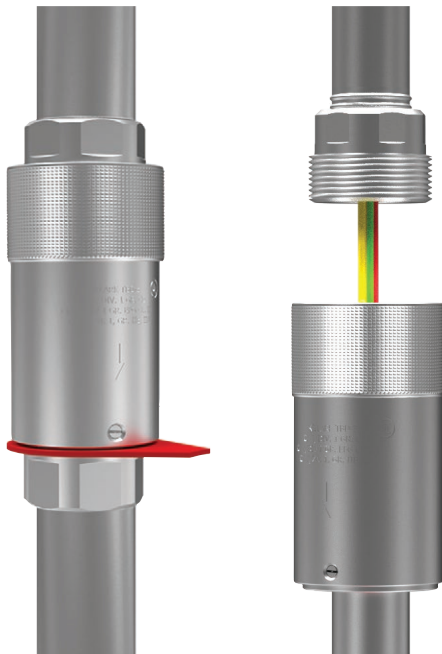
360° unimpeded access to potting chamber allowing simplified inspection and compound pouring

Certified to both fast curing two-part epoxy resin, CELOX, and the traditional SC sealing compound

Minimal turn radius offering optimized spacing for both enclosures and conduit



FITTINGS EZ SERIES



Class I, Div. 1 & 2, Groups A, B, C, D
Class I, Zone 1, Groups IIC, IIB, IIA
Class II, Div. 1 & 2, Groups E, F, G
Class III
Type 3R

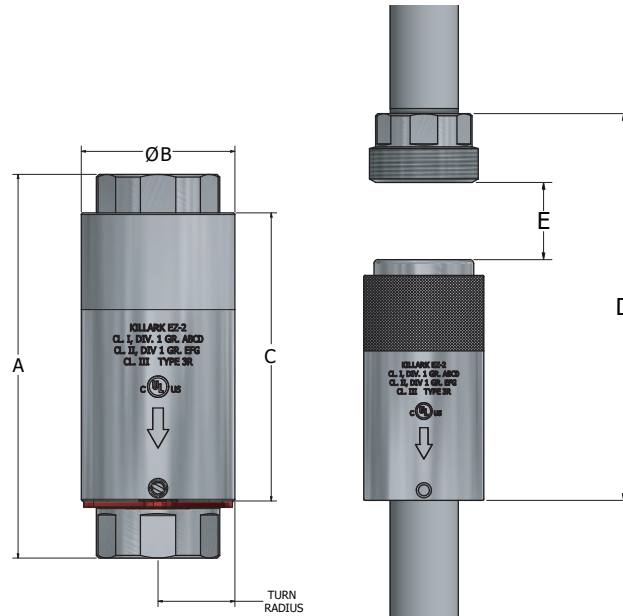
FEATURES-SPECIFICATIONS

Features

- Unique uniform design for simplified seal alignment
- Minimal turn radius for close spacing specification
- 360° unimpeded access to the conductors for visual inspection and separation
- Pre-installed patented disc brush barrier dam for nominal or no packing fiber required
- Retrofittable and easy replacement if needed

Materials

- EZ Seal Bodies
 - » Copper-free Aluminum or 12L14 zinc plated cold rolled steel
- Retaining rings
 - » Stainless steel
- Disc Brush dam
 - » Steel/nylon
- Position snap ring
 - » Plastic



EZ SEAL SERIES

HUB SIZE	CATALOG NUMBER			DIMENSIONS					
	ALUMINUM	ZINC PLATED STEEL	316 STAINLESS	A	B	C	D	E	TURN RADIUS
1/2"	EZ 1	EZ 1S	EZ 1SS	4.45	1.60	3.15	5.45	1.06	0.80
3/4"	EZ 2	EZ 2S	EZ 2SS	4.44	1.60	3.15	5.76	1.15	0.90
1"	EZ 3	EZ 3S	EZ 3SS	5.08	1.96	3.60	6.24	1.15	0.98



SEALING COMPOUND

CATALOG NUMBER	SIZE PACKAGE
KQS-050 ML	50 ml (1.7 oz)
KQS-250 ML	250 ml (8.45 oz)

*includes 4 static mixing nozzles

DISPENSING GUN

CATALOG NUMBER	SIZE CARTRIDGE
KQS-050 GUN	50ml Cartridge
KQS-250 GUN	250ml Cartridge

SEALING COMPOUND

CATALOG NUMBER	SIZE PACKAGE
SC-4 OZ	4 oz.
SC-8 OZ	8 oz.
SC-1 LB	1 lb.
SC-5 LB	5 lbs.

