



EZ-2™ Series

Commercial Emergency Light

Catalog Number	
Comments	Type

FEATURES

Application

The EZ-2 series is a commercial emergency lighting unit designed for fast wall mount installation and reliable service. The EZ-2 has a flame-rated, UV stable thermoplastic housing and a bright white textured finish. Lamp-heads are fully adjustable. Unit provides a full 90 minutes of emergency lighting. Includes fully automatic solid-state charger and lead calcium battery. The EZ-2 accepts 120/277VAC input. Available with optional Spectron self-test/self-diagnostic circuitry.

Construction

The EZ-2 series housing and lamp-heads are made from durable injection molded thermoplastic. Standard models supplied with 2 ea. 6VDC, 5.4 watt sealed beam type lamp-heads. EZ-2I Spectron equipped model supplied with 2 ea. 6VDC, 7.2 watt sealed beam type lamps.

Installation

Universal mounting template and wiring knock-out molded in the back plate aids in quick installation. Unit mounts to all standard 3 1/2" and 4" square or octagonal electrical boxes. Conduit entry through a molded-in knock-out at the top center. Pre-stripped AC input leads provided. Mounting hardware is not included.

Illumination

The EZ-2 series provides illumination with two fully adjustable PAR36 type lamp-heads. Photo-metrics are available for download at www.dual-lite.com

Compliances

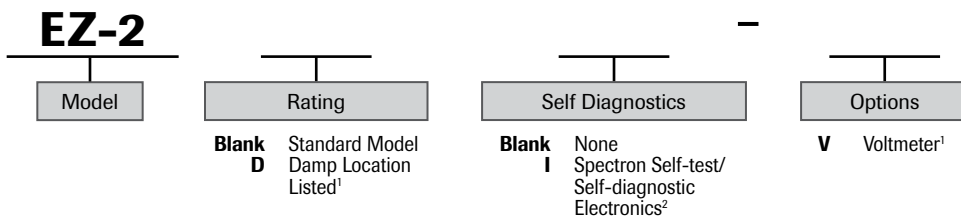
UL924 Emergency Listed
 UL924 Damp Location Listed(EZ-2D)

Warranty

Standard Model- Full 3 year warranty
 Spectron EZ-2I- Full 5 year warranty

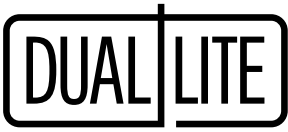


ORDERING GUIDE



¹ Available with EZ-2 only

² Damp location listed standard on EZ-2I Spectron equipped model



EZ-2™ Series Commercial Emergency Light

SPECIFICATONS

Electronics

Dual-voltage input of 120/277VAC, 60 Hz with isolation transformer. Fully automatic constant voltage current limited charger which includes low voltage disconnect to prevent deep discharge of the battery. Includes maintenance-free lead calcium battery.

Standard Features

- External push-to-test switch and AC-on indicator
- Battery re-charge per UL time limits
- Low voltage disconnect
- Conduit entry knock-out located at the top center

Electronics

- Self-diagnostics monitors lamp status, lamp load transfer circuit and battery capacity and displays any fault detection by means of a flashing code
- Self-Test feature automatically runs a peiodic emergency test to ensure proper operation. Multi-color LED indicator provides visible fault detection and charging status
- User initiated 1, 5, 30, or 60-minute system test feature
- 15 minute re-transfer delay
- Temperature compensated charger
- AC Lock-out circuit
- Automatic unit transfer in brown-out conditions(exceeding 20% of nominal)

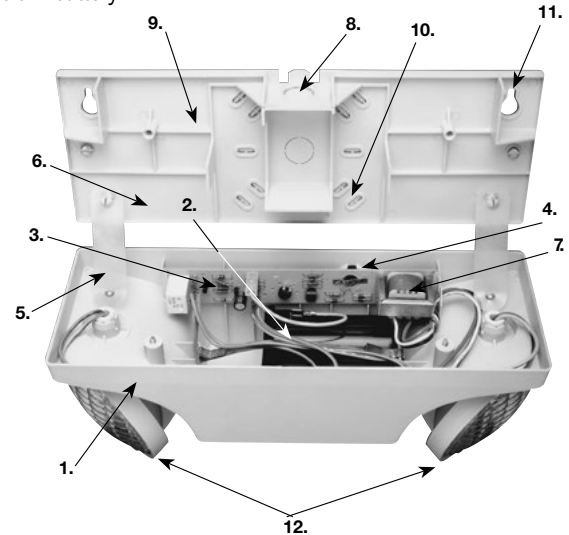
Operating Temperature Range

Standard Models: 68°F to 86°F (20° to 30°C)

Damp Location Model: 32°F to 104°F (0° to 40°C)

Weight

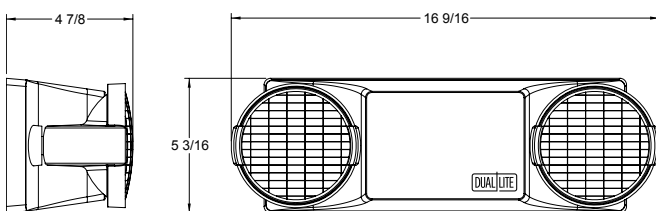
4.5 lbs



1. High-impact, UV stable thermoplastic housing
2. Maintenance-free battery
3. Environmentally coated, solid-state charger
4. Pilot light and test switch
5. Nylon hinges free hands for easier installation
6. Snap-together construction
7. Universal transformer (120/277VAC operation)
8. Surface wiring knockout
9. Mounting plate
10. Universal mounting pattern
11. Keyhole wall mounting slots
12. Recessed lighting head assemblies

DIMENSIONS

EZ-2



ACCESSORIES (order separately)

- VRS** Vandal resistant shield
- VRS-4X** Vandal resistant shield with neoprene gasket
- WGEL** Wire guard



VRS

