



**Product Datasheet**

**ANDERSON FARGO**

**SD57C -- Strain Clamp, Quadrant, Heavy Duty**



Strain Clamp, Quadrant, Heavy Duty, Aluminum, Conductor Range 0.2 - 0.4 in, Fitting: Clevis

**Product Specifications**

Category Image



**Bolted  
Deadends**

Aluminum & Bronze

Quadrant

Aluminum & Copper  
Conductor

Series Image (Quadrant)



**SD Series**

Quadrant Dead End

Bolted, Aluminum

AAC, AAAC & ACSR  
Conductor

PDF Catalog Page

[Click HERE to view the web page.](#)

Fitting Type

Clevis

Style

SD - Strain Clamp, Quadrant, Heavy Duty

Type

Bolted

Material

Aluminum

Fitting Catalog No.

CA-04

Voltage Application

Std

Body and Keeper Material

356 T6 Aluminum Alloy

Socket and Clevis Material

Galvanized Ductile Iron

Clevis Pin Material

Galvanized Ductile Iron

Cotter Pin Material

#302 Stainless Steel

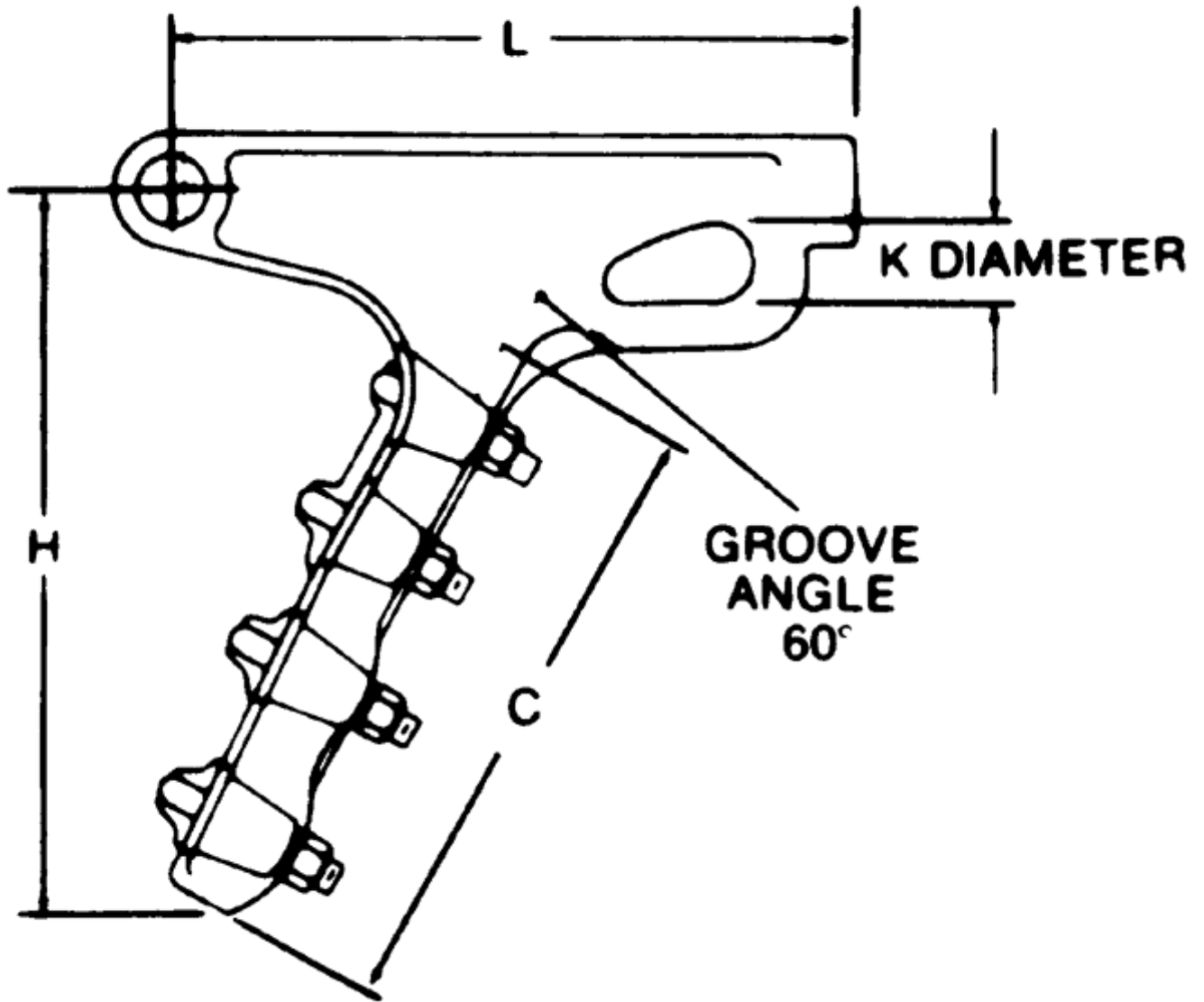
Hardware Material

Galvanized Steel

|  |   |
|--|---|
| <b>Ultimate Body Strength</b>            | 15,000 lb (6,804 kg)  |
| <b>U-Bolts</b>                           | 3   |
| <b>Bolt Size</b>                         | .50 in (12.70 mm)   |
| <b>Dimension C</b>                       | 5 1/8 in (130.18 mm)  |
| <b>Dimension H</b>                       | 6 3/4 in (171.45 mm)  |
| <b>Dimension K</b>                       | 1.25 in (31.75 mm)  |
| <b>Dimension L</b>                       | 9 1/16 in (230.19 mm)   |
| <b>Dimension W</b>                       | 3/4 in (19.05 mm)   |
| <b>Pin Diameter</b>                      | 0.625 in (15.88 mm)   |
| <b>Clevis Opening</b>                    | .875 in (22.23 mm)  |
| <b>Conductor Range Minimum - Maximum</b> | AAC 4 sol Thru AAC 1/0 str (19)<br>AAAC 5 str(7) Thru AAAC 1/0 str(7)<br>ACSR 4 (6/1) Thru ACSR 1/0 (6/1) |
| <b>Minimum Conductor Diameter</b>        | 0.2   |
| <b>Maximum Conductor Diameter</b>        | .64   |
| <b>Weight / Ea.</b>                      | 4.8 lbs   |
| <b>Standard Package</b>                  | 10  |
| <b>UPC Code</b>                          | 09635932543   |

**Compressed Product Number**

SD57C



Dimensions

[Catalog Home](#)



[Warranty Info](#) | [Trademarks](#) | [Terms of Use](#)

*All contents Copyright © 2007 Hubbell Power Systems, Inc. All rights reserved.*

NOTE: Because Hubbell has a policy of continuous product improvement, we reserve the right to change design and specifications without notice.