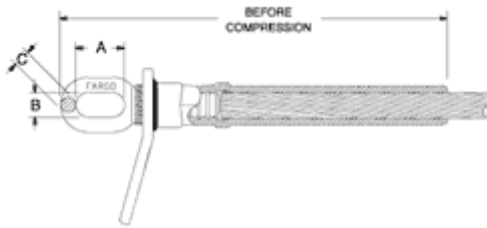




Product Datasheet

ANDERSON FARGO

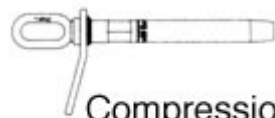
C011212NT -- Compression Deadend



Compression Deadend, Uni-Grip, Single Tongue, Vertical Eye, for AAC, Dia. Range 1.046 - 1.14, Without Terminals

Product Specifications

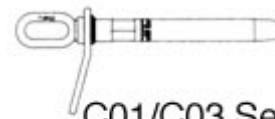
Category Image



Compression Deadends

Eye Type
Aluminum UniGrip®
(One Die)
AAC, AAAC, ACAR &
ACSR Conductor

Series Image (Comp Eye)



C01/C03 Series
Compression Dead End
Eye Type, Single Tongue
Uni-Grip® (One Die)
Full Tension
AAC Conductor

PDF Catalog Page

[Click HERE to view the web page.](#)

Terminal Option

Without

Style

Uni-Grip, Single Tongue, Vertical Eye

Type

Compression

Material

Aluminum/Steel

Compression Method

Uni-Grip (single die system)

Die Size

12CD

Minimum Press (Tons)

60

Voltage Application

EHV & Std

Inhibitor Loaded

Yes

Body Material

Seamless Extruded Aluminum Alloy

Eye Material

Galvanized Forged Steel

Hardware Material

Aluminum Alloy

Length before Compression

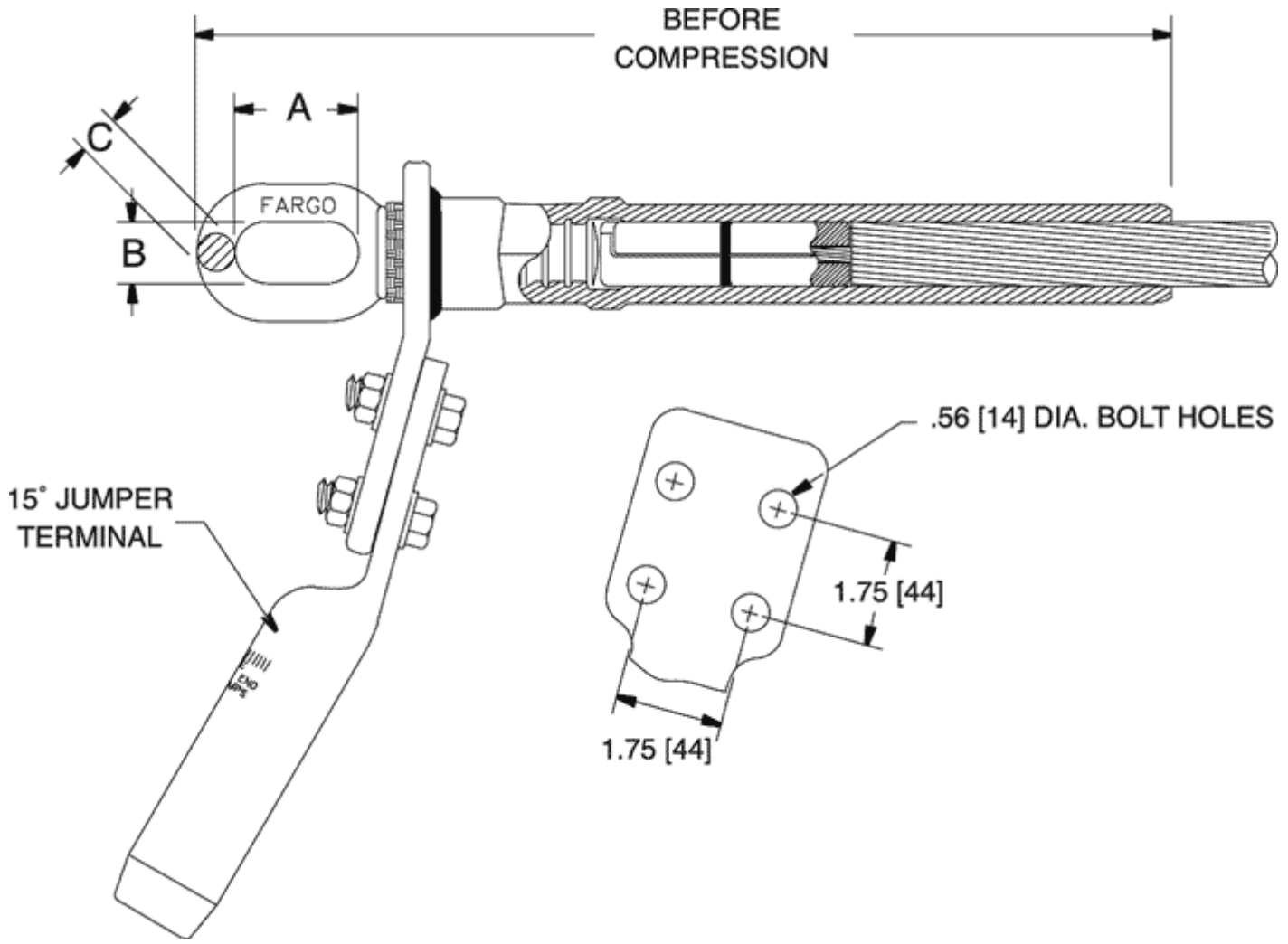
13.6 in (344 mm)

Dimension A

2.0 in (50 mm)

Dimension B	1.0 in (25 mm)
Dimension C	.62 in (15 mm)
Pad Width	3.0 in (76 mm)
Bolt Holes	4
Conductor Range Minimum - Maximum	AAC 874.5 kcmil (37) Thru AAC 954 kcmil (61)
Minimum Conductor Diameter	1.046
Maximum Conductor Diameter	1.14
Weight / Ea.	0.14 lbs
Standard Package	1

Compressed Product Number
C011212NT



Dimensions

[Catalog Home](#)



[Warranty Info](#) | [Trademarks](#) | [Terms of Use](#)

All contents Copyright © 2007 Hubbell Power Systems, Inc. All rights reserved.

NOTE: Because Hubbell has a policy of continuous product improvement, we reserve the right to change design and specifications

