



[Catalog Home](#)

Product Datasheet

ANDERSON FARGO

ATCF11401 -- Tee, Aluminum Bolted



Tee, Aluminum Bolted, Cable to Flat, 0.87-1.108 Main to 4 in, 4 hole flat Tap

Product Specifications

Family Image



Tees

Tees



ATCF Series
Cable to Flat
Aluminum Bolted Tees

PDF Catalog Page

[Click HERE to view the web page.](#)

Flat Bar Tap Width

4

Pad Holes

4

Clamping Hardware Material

Aluminum Alloy

Dimension A

4.25 in (108.0 mm)

Dimension B

5.0 in (152.4 mm)

Dimension J

.50 in (12.7 mm)

Dimension W

3.50 in (88.9 mm)

Main Conductor Minimum Diameter

0.87

Main Conductor Maximum Diameter

1.108

Material Type

Non-Standard

UPC Code

09635928706

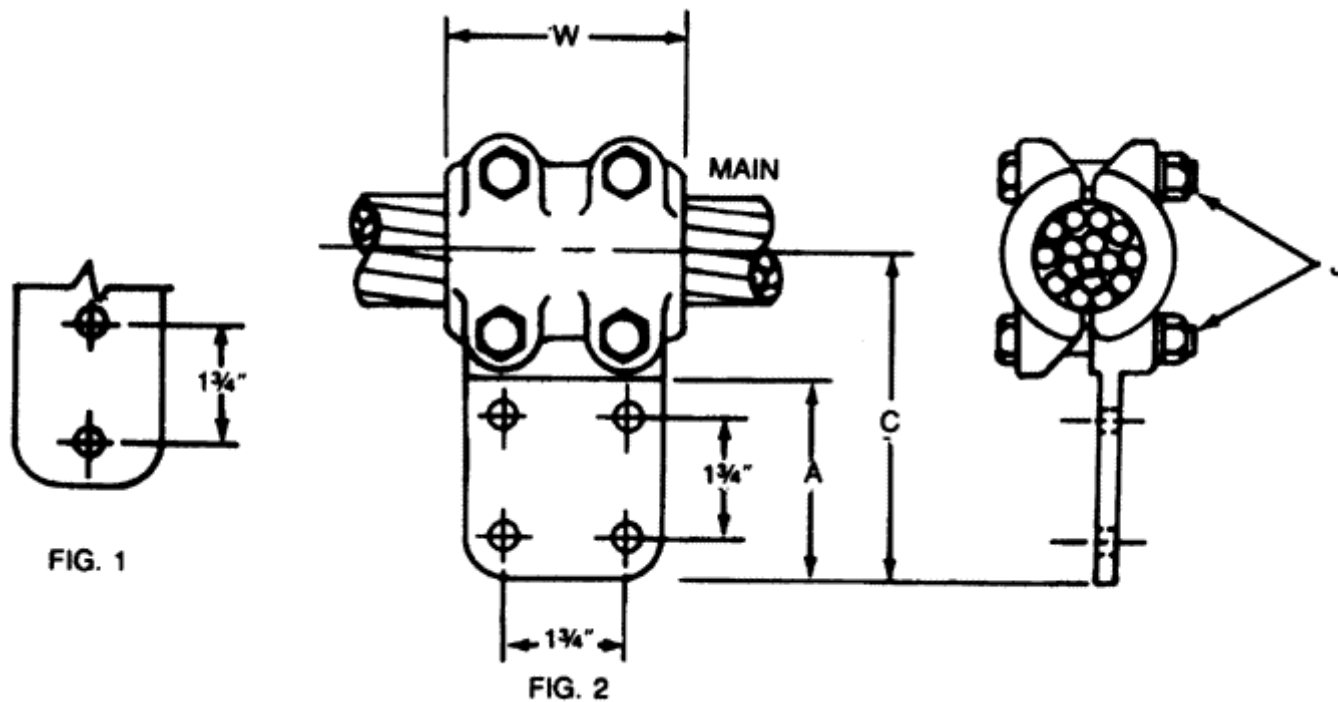
Standard Package

6

Standard Package Unit	Each
Min Order Qty	1
Weight / Ea.	2.646 lbs

Compressed Product Number

ATCF11401



[Catalog Home](#)



[Warranty Info](#) | [Trademarks](#) | [Terms of Use](#)

All contents Copyright © 2007 Hubbell Power Systems, Inc. All rights reserved.

NOTE: Because Hubbell has a policy of continuous product improvement, we reserve the right to change design and specifications without notice.